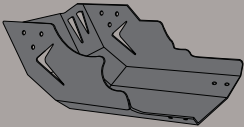

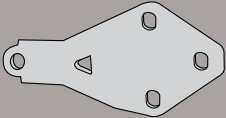
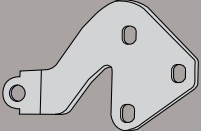











RP7703

PARACOPPA - OIL CARTER PROTECTOR - SABOT MOTEUR - SPEZIFISCHER MOTORSCHUTZ - CUBRE CARTER - COBRE CARTER

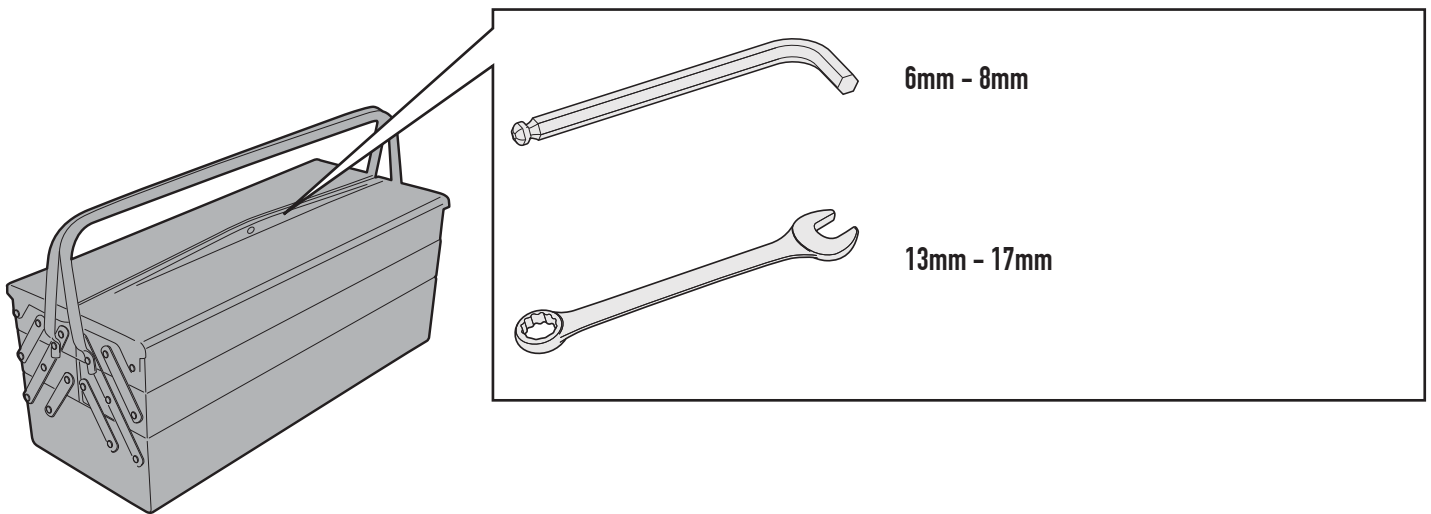
KTM 1190 ADVENTURE R (2013)

N°	Descrizione	Caratteristiche	Codice	Quantità	
1	Paracoppa - Oil Carter Protector Sabot Moteur - Spezifischer Motorschutz Cubre Carter - Cobre Carter	Sp. 3mm	-	1	
2	Supporto - Support - Support Halterung - Soporte - Apoio	Sp. 4mm	GL2423	2 (Dx;Sx)	
3	Supporto - Support - Support Halterung - Soporte - Apoio	Sp. 4mm	GL2424	1	
4	Supporto - Support - Support Halterung - Soporte - Apoio	Sp. 4mm	GL2425	1	
5	Vite - Screw Vis - Schraube Tornillo - Parafuso	TE M10x75	1075TE	2	
6	Vite - Screw Vis - Schraube Tornillo - Parafuso	TBEI M8x20 INOX	820TBEIX	10	
7	Vite - Screw Vis - Schraube Tornillo - Parafuso	TCEI M10x90	1090TCE	2	
8	Distanziale - Spacer Entretoise - Distanzstueck Distanciador - Espaçador	Ø18x24 Foro 10.5mm	C18L42F10,5T	2	
9	Distanziale - Spacer Entretoise - Distanzstueck Distanciador - Espaçador	Ø18x25 Foro 10.5mm	C18L25F10,5T	2	
10	Rondella - Washer Rondelle - Scheibe Arandela - Arruela	Ø8	8RON	10	
11	Rondella - Washer Rondelle - Scheibe Arandela - Arruela	Ø10	10RON	4	
12	Rondella - Washer Rondelle - Scheibe Arandela - Arruela	Sp. 0,3mm INOX	8RONX	10	
13	Dado - Bolt - Ecrou Mutter - Tuerca - Porca	Dado Auto Bloccante M8	8DADIAU	10	

RP7703

PARACOPPA - OIL CARTER PROTECTOR - SABOT MOTEUR - SPEZIFISCHER MOTORSCHUTZ - CUBRE CARTER - COBRE CARTER

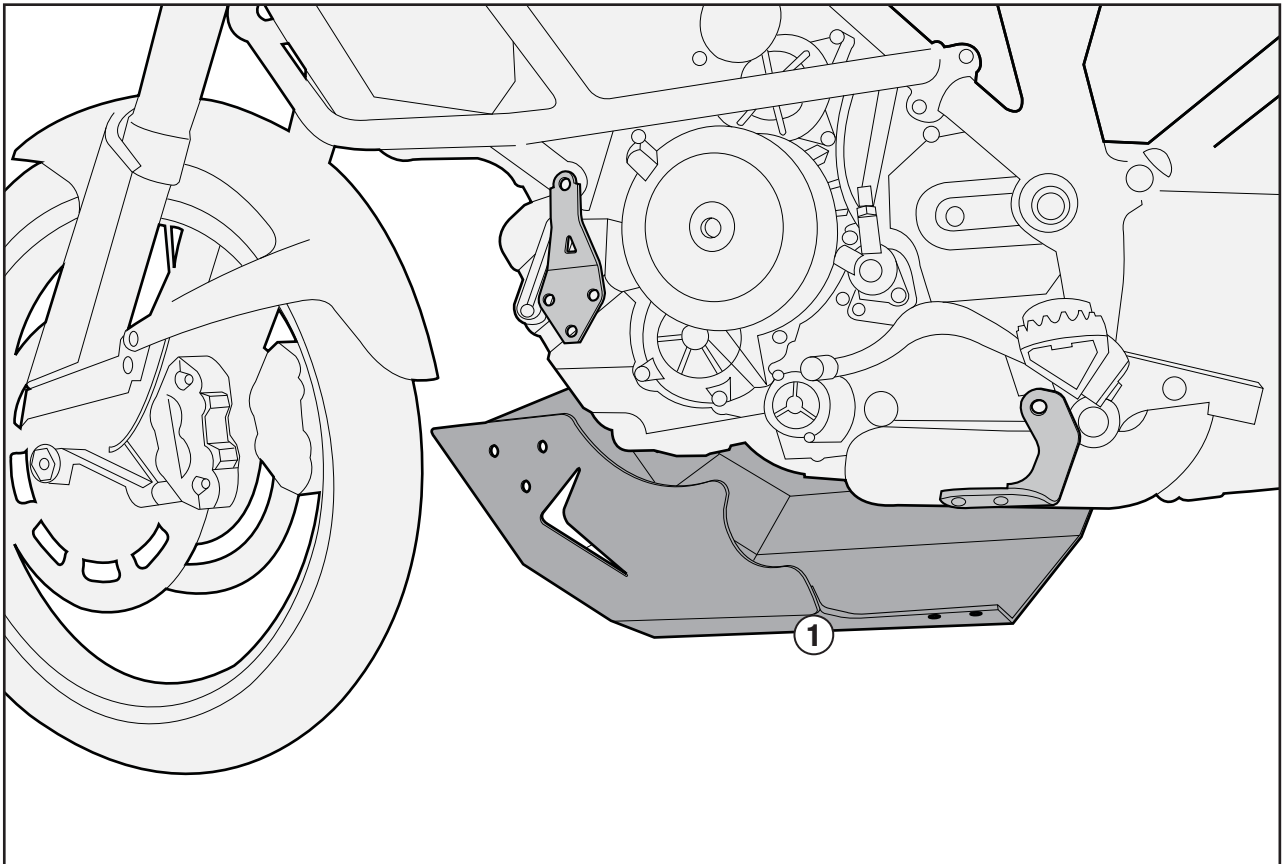
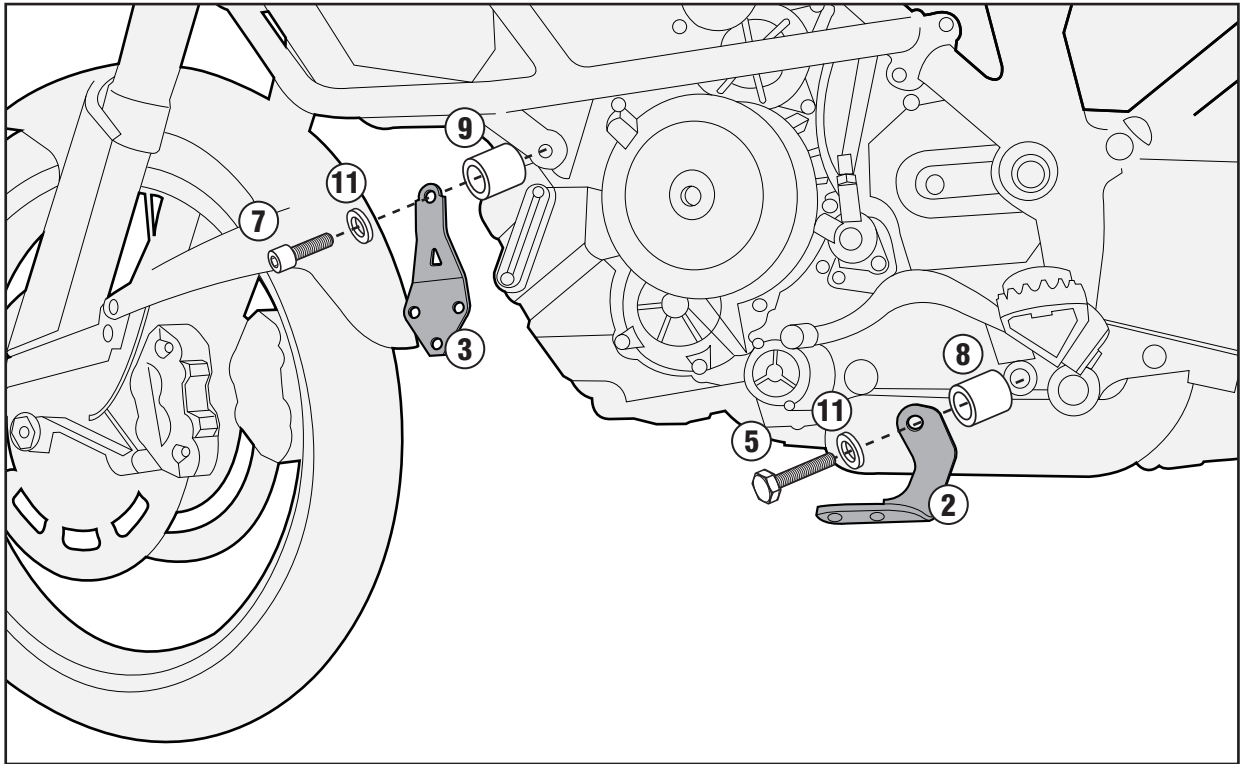
KTM 1190 ADVENTURE R (2013)



RP7703

PARACOPPA - OIL CARTER PROTECTOR - SABOT MOTEUR - SPEZIFISCHER MOTORSCHUTZ - CUBRE CARTER - COBRE CARTER

KTM 1190 ADVENTURE R (2013)



RP7703

PARACOPPA - OIL CARTER PROTECTOR - SABOT MOTEUR - SPEZIFISCHER MOTORSCHUTZ - CUBRE CARTER - COBRE CARTER

KTM 1190 ADVENTURE R (2013)

