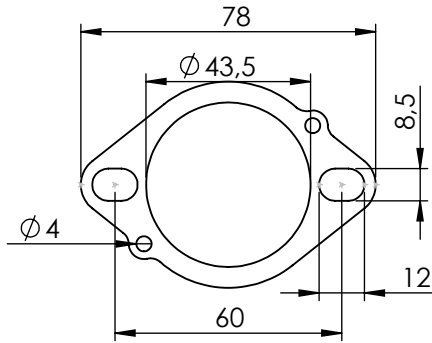
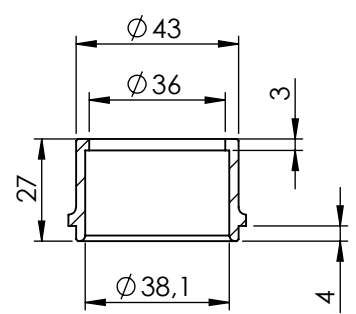


dB-Killer n°80  
P/N 3015602801



**3x S.S. Flanges sp.5mm**  
P/N 204448



**3x S.S. Bushings**  
P/N 204870

LV 1811 (E49) 92R-02 0003  
E49 00029G

Titanium Muffler  
P/N 3015602471

Carbon Bracket  
P/N 0815611501

S.S. Plate  
P/N 207181

S.S. Bracket  
P/N 3015619501

S.S. Bracket  
P/N 3015619502  
**Use only on XSR 900**

Washer  
Ø12 Ø6  
P/N 200291

S.S. Primary Pipe Left  
P/N 3014371201

S.S. Primary Pipe Centre  
P/N 3014371202

S.S. Primary Pipe Right  
P/N 3014371202

Nut M6  
P/N 200322

S.S. Secondary Pipe  
P/N 3015619201

3x Flange nuts M8  
P/N 200289

Screw  
M8x35  
P/N 200319

250

Øi.54

Øe.54▽35

2x Screws  
M6x12  
P/N 201265

**use only on MT-09**  
passenger's footpeg

Alu Spacer  
Ø22 Ø8,5 h.11  
P/N 3015619203

Screw  
M8x20  
P/N 200722

S.S. Final Pipe  
P/N 3015619203

Øi.54  
Øe.54▽30

2x Screws  
M5x12  
P/N 201031

2x Washers  
Ø15 Ø5  
P/N 406580

Carbon Heat Shield  
P/N 0815607001

4x Gaskets  
Ø14 Ø4,9 h.1,5  
P/N 200371

2x Mounting plates M5  
P/N 204555

bike's frame

4x Washers  
Ø24 Ø8  
P/N 200321

Screw  
M8x40  
P/N 200993

bike's frame

Øe.42,4

Øe.38

Øi.42,4

Ø54

M12x1.25

8x Short Springs  
P/N 303949001

# ART. 15619TK

## YAMAHA MT-09 / XSR 900

### FULL SYSTEM LV-14R TITANIUM APPROVED