



Référence: E13*81R00/02*9808*02

Annexes: - Rapport Technique
- Fiche de Renseignements du constructeur

Bertrange, le 11 juin 2024



Communication concernant: - ~~DELIVRANCE D'UNE HOMOLOGATION~~
Communication concerning: - ~~APPROVAL GRANTED~~
- ~~EXTENSION D'HOMOLOGATION~~
- ~~REFUS D'HOMOLOGATION~~
- ~~RETRAIT D'HOMOLOGATION~~
- ~~ARRET DEFINITIF DE LA PRODUCTION~~

d'un type de rétroviseur, conformément au Règlement N° 81
of a type of rear-view mirror pursuant to Regulation N° 81


Numéro d'homologation:

Approval number:

E13*81R00/02*9808*02

Marque d'homologation:

Approval mark:

L  009808

1. Marque de fabrication ou de commerce du dispositif:

Trade name or mark of the equipment:

motogadget

2. Type:

Equipment type:

7002030

3. Description sommaire comportant notamment les indications suivantes:

Brief description including in particular the following information:

3.1. Dimensions principales de la surface réfléchissante:

Main dimensions of the reflecting surface:

max length: 122 mm
max width: 83 mm

3.2. Rayon de courbure nominal de la surface réfléchissante:

Nominal radius of curvature of the reflecting surface:

1450 mm

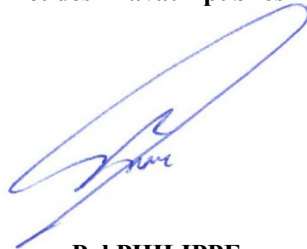
4. Nom et adresse du fabricant:

Manufacturer's name and address:

motogadget GmbH
Wollenberger Str. 4 i-j
D-13053 Berlin

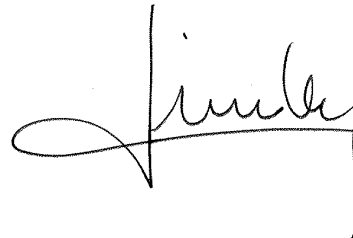

5. **Nom et adresse du représentant du fabricant (le cas échéant):**
If applicable, name and address of the manufacturer's representative: not applicable
6. **Présenté à l'homologation le:**
Equipment submitted for approval on: 18.04.2024
7. **Service technique chargé des essais d'homologation:**
Technical service responsible for conducting approval tests: Luxcontrol SA
B.P. 349
L-4004 Esch-sur-Alzette
8. **Date du procès-verbal délivré par ce service:**
Date of report issued by that service: 19.04.2024
9. **Numéro du procès-verbal délivré par ce service:**
Number of report issued by that service: LC 1289 002 24
10. **Véhicules pour lesquels le dispositif est destiné:**
Vehicles for which the equipment is designed: two-wheeled motor vehicles
11. **L'homologation est 2/:**
Approval is 2/: ~~accordée / refusée / étendue / retirée~~
~~granted / refused / extended / withdrawn~~
12. **Motif(s) de l'extension de l'homologation:**
Reason(s) for extension of approval: refer to index of technical report
13. **Lieu:**
Place: Bertrange
14. **Date:**
Date: 11 juin 2024
15. **Signature:**
Signature:

Pour la Ministre de la Mobilité
et des Travaux publics



Pol PHILIPPE
Attaché

Pour la SNCH

Laurent LINDEN
Directeur opérationnel



16. Est annexée la liste des pièces constituant le dossier d'homologation déposé au Service administratif ayant délivré l'homologation:

A list of documents contained in the approval file transmitted to the administrative service which has granted approval is annexed to this communication:

see index to type-approval report



Référence: E13*81R00/02*9808*02

Annexes: - Rapport Technique
- Fiche de Renseignements du constructeur

Bertrange, le 11 juin 2024

Index du dossier d'homologation

Index to type-approval report

Numéro d'homologation: Approval number:	E13*81R00/02*9808*02
Révision: Revision:	00
Marque de fabrique ou de commerce: Trade name or mark:	<i>motogadget</i>
Type: Type:	7002030
1. Procès-verbal d'essai: Test report:	N° LC 1289 002 24
- Technical report:	Page(s) 1 to 3;
- Index:	Page(s) 1 & 2;
- Communication as numbered in the standard:	Annex A - Page(s) 1;
- Test results:	Annex B - Page(s) 1 to 3.
2. Dossier du constructeur: Report of the manufacturer:	N° Annex C
- Information document:	Page(s) <u>1 to 16</u> .
3. Autres documents annexés: Other documents annexed:	not applicable
4. Date de délivrance de l'homologation initiale: Date of issue of initial type approval:	20.08.2018
5. Date de la dernière délivrance de pages révisées: Date of last issue of revised pages:	not applicable
6. Date de la dernière délivrance d'une homologation révisée: Date of last extension:	11.06.2024



1. General

Manufacturer: **motogadget GmbH**
Wollenberger Str. 4 i-j
D-13053 Berlin

~~Vehicle Type~~
~~Or component or ESA or STU:~~ **7002030**

2. Test details

	Inspector	Location of test:	Date of receipt of test item:	Date of test:
Main report	D. Durazzi M. Flammang	Eurolens I – Paderno Dugnano (MI)	July 2018	19 to 23 July 2018
		Luxcontrol s.a.	August 2018	08 August 2018
Extension 1	D. Durazzi M. Flammang	Eurolens I – Paderno Dugnano (MI)	April 2019	08 April 2019
Extension 2	R. Limpach	motogadget GmbH Wollenberger Str. 4 i-j D-13053 Berlin	April 2024	18 April, 2024

2.1. Remarks

2.1.1. Main report:
not applicable

2.1.2. Extension 1:
New tests were run to cover and validate the new versions stated in the index.

2.1.3. Extension 2:
Manufacturer address changed. Tests performed to add new versions.



3. **Statement of compliance**

The inspections items and measurements carried out have shown the compliance of the type described in this technical report and the attached Annexes with the requirements of the standard as stated on page 1.

E13*81R00/02*9808*02

Société Nationale de Certification et d'Homologation

Esch-sur-Alzette, April 19, 2024

Luxcontrol s.a.
Service Homologation-automobile

Romain Limpach
Ingénieur-Inspecteur

Paul Wax
Ingénieur-Inspecteur

Annexes



To be added:

- Versions 7004080; 7004081; 7004070; 7004073; 7004090; 7004091;
7004092; 7004093; 7004052; 7004050; 7004051

To be revised:

- Manufacturer's address
- Editorial arrangements

Content of the information folder:

- manufacturer's information document (page 1 to 16)
-



COMMUNICATION AS NUMBERED [] IN THE STANDARD

- [1.] Trade name or mark:
motogadget
- [2.] Type:
7002030
- [3.] Brief description including in particular the following information:
- [3.1.] Main dimensions of the reflecting surface:
min. length: 122 mm
min. width: 83 mm
- [3.2.] Nominal radius of curvature:
1450 mm
- [4.] Name and address of the manufacturer:
motogadget GmbH
Wollenberger Str. 4 i-j
D-13053 Berlin
- [5.] Name and address of manufacturer's authorised representative:
not applicable
- [6.] Equipment submitted for type approval on:
18 April 2024
- [10.] Vehicles for which the equipment is designed:
Two - wheel motor vehicles
- [12] Reason(s) for extension of approval:
Versions 7004080; 7004081; 7004070; 7004073; 7004090; 7004091;
7004092; 7004093; 7004052; 7004050; 7004051 added.
Manufacturer address revised.



1. Test results:

1.1. Version of the tested vehicle/item

Following version(s) has been used for testing:

Main report:

- 7002030
- 7003010

Extension 1:

- 7004030
- 7005030

Extension 2:

- 7004080
- 7004093
- 7004051

The tested items are representative of the worst case.

1.2. Inspection items

1.2.1. General specifications:

The trade mark is engraved clearly legible and indelible on the reflecting surface.

Space for the approval marks and additional symbols is provided on the reflecting surface as shown in Annex C.

1.2.1.1. Adjustment of the rear-view mirror

The reflecting surface of the rear-view mirror is manually adjustable.

1.2.1.2. Rear-view mirror holder (protective housing):

Not applicable, as the reflective surface is machined from a single piece of aluminum.



1.2.1.2.1. Radius of curvature of contactable parts of the rear-view mirror:

All parts, irrespective of the adjustment position of the device, which can be in static contact with a sphere of 100 mm, have a radius of curvature of "**c**" > **2,5 mm**.

1.2.1.3. Dimensions of the reflecting surface:

The reflecting surface has an area of **more than 69 cm²**. It is possible to inscribe a circle of **min. 78 mm** on the reflecting surface.

1.2.1.4. Reflecting surface and coefficient of reflection:

Radius of curvature: **1450 mm**

Coefficient of reflection: **> 40 %**

1.2.1.5. The results indicated below have been achieved by adjusting the mirror to the installation angle of:

Test (*)	Impact test results [°]		Observations
	left	right	
1	> 20°	--	no cracks / no separations
	--	> 20°	no cracks / no separations
2	> 20°	--	no cracks / no separations
	--	> 20°	no cracks / no separations

(*) according to paragraph 8.2 and 8.4. of the Regulation

1.2.1.6. Bending test:

Not applicable for external mirrors.

1.3. Remark

1.3.1. General:

The inspection results are applicable to all the variants named in the manufacturer's information folder (annex C). The tested rear-view mirrors variants cover the worst cases for the different situations



1.4.

Test facilities

Calibration of measuring and test equipment used to carry out the inspections is in accordance with the ECE-Regulation stated in 1.1. of this report and with ISO 17025

E13*81R00/02*9808*02

Société Nationale de Certification et d'Homologation



motogadget GmbH, Wollenberger Str. 4 i-j, 13053 Berlin

Ministry for Sustainable Development and Infrastructure
Transport Division
4, place de l'Europe
L-1499 Luxembourg

Berlin, 06.03.2024

Information document

Name and address of manufacturer : *motogadget GmbH
Wollenberger Str. 4 i-j
D-13053 Berlin*

Trade Name: motogadget

Type: 7002030

Version(s): 7003010
7004030
7005030
7004080
7004081
7004070
7004073
7004090
7004091
7004092
7004093
7004052
7004050
7004051

motogadget GmbH
Wollenberger Str. 4 i/j
13053 Berlin

www.motogadget.com
info@motogadget.de
Tel. +49-(0)30-69004100

Sitz der Gesellschaft ist Berlin
Registergericht AG Charlottenburg
HRB 117611 B

Geschäftsführer
Garrit Keller
Ust.Id.: DE263545235

Bankverbindung
motogadget GmbH
Postbank Berlin

IBAN DE16100100100006097102
BIC PBNKDEFF



E13*81R00/02*9808*02
Société Nationale de Certification et d'Homologation

Details regarding the attachment:

(Please refer to the technical drawing for description how mirror bracket is attached to the handlebar)

General remarks:

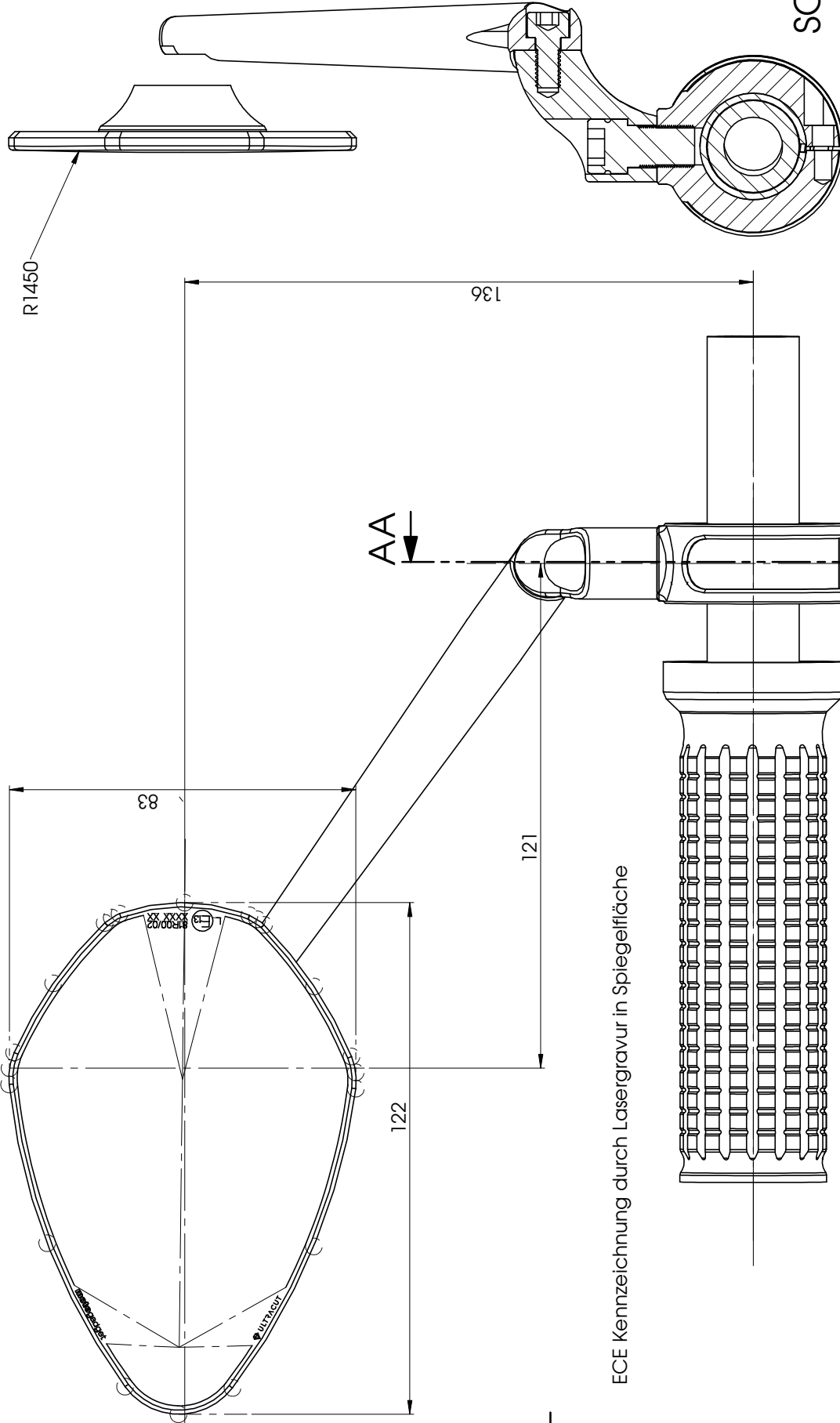
The rear-view mirror does not have any glass components, but the reflecting surface is machined from a single piece of aluminium

Best regards,

Garrit Keller
(Managing Partner)

E13*81R00/02*9808*02
 Société Nationale de Certification et d'Homologation

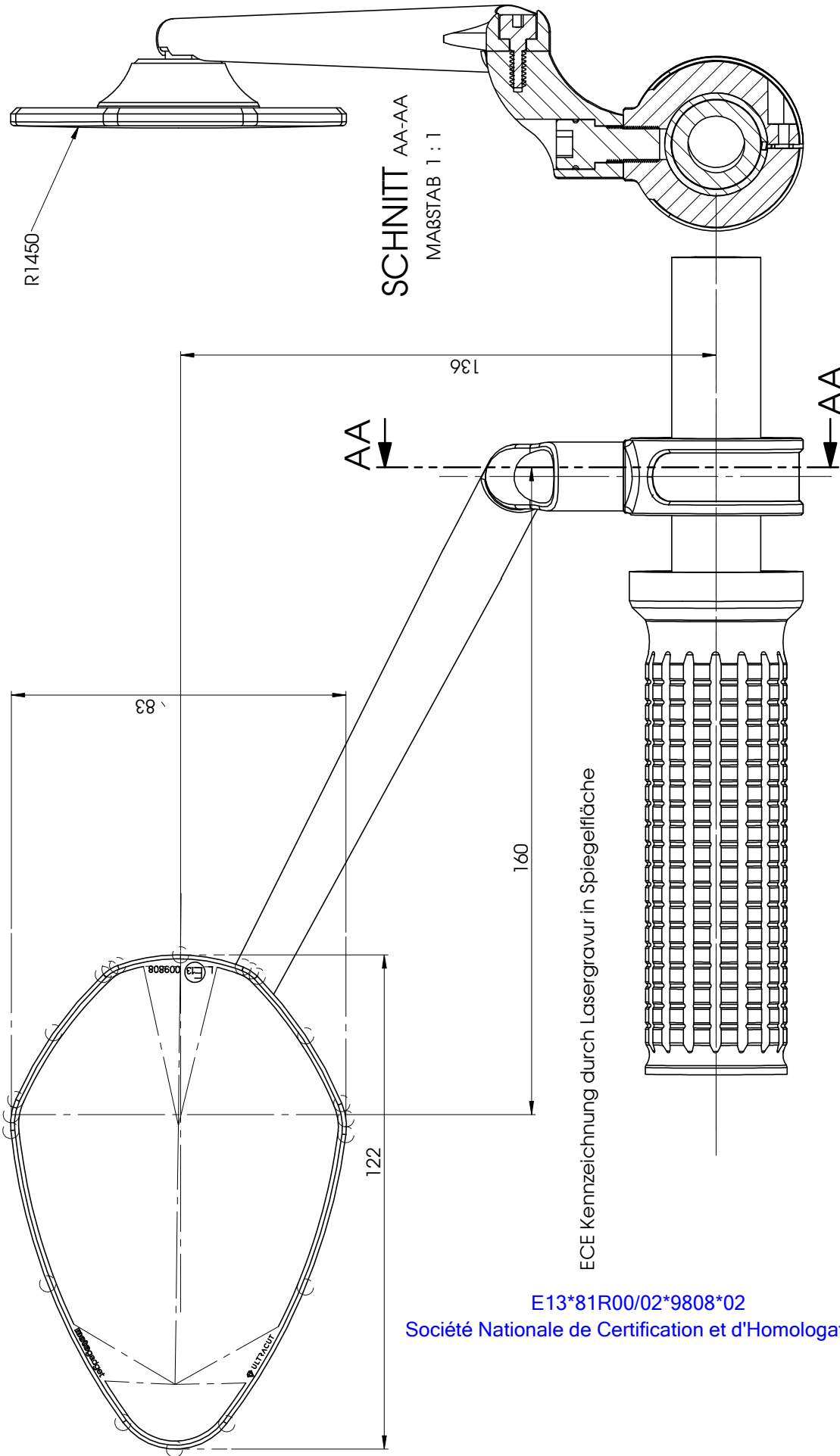
SCHNITT AA-AA
 MAßSTAB 1 : 1



ECE Kennzeichnung durch Lasergravur in Spiegelfläche

WENN NICHT ANDERS DEFINIERT: BEMASSUNGEN SIND IN MILLIMETER TOLERANZEN: LINEAR: WINKEL:		OBERFLÄCHENGÜTE: smooth finish: Rz 4,0 - 10µm black anodized		ENTGRATEN UND SCHÄRFE KANTEN BRECHEN		ZEICHNUNG NICHT SKALIEREN		ÄNDERUNG	
BEZEICHNET	NAME	SIGNATUR	DATUM			BENENNUNG:		7002030	
GEPRÜFT	G. Weiler	GK	26.07.2016			ZEICHNUNGSNR.		m.view sport	
GENEHMIGT						WERKSTOFF:		6061-T6	
PRODUKTION						GEWICHT:		3	
QUALITÄT						BLATT / VON 1		2	
								A3	

motogadget GmbH confidential & proprietary

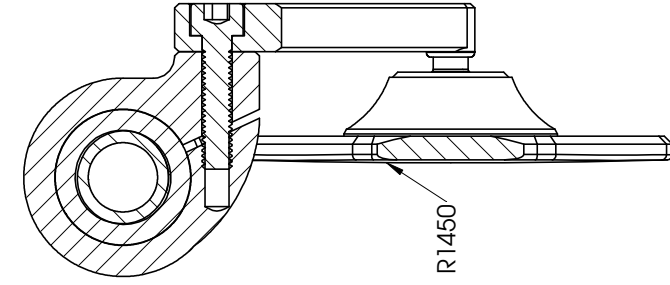


ECE Kennzeichnung durch Lasergravur in Spiegelfläche

E13*81R00/02*9808*02
 Société Nationale de Certification et d'Homologation

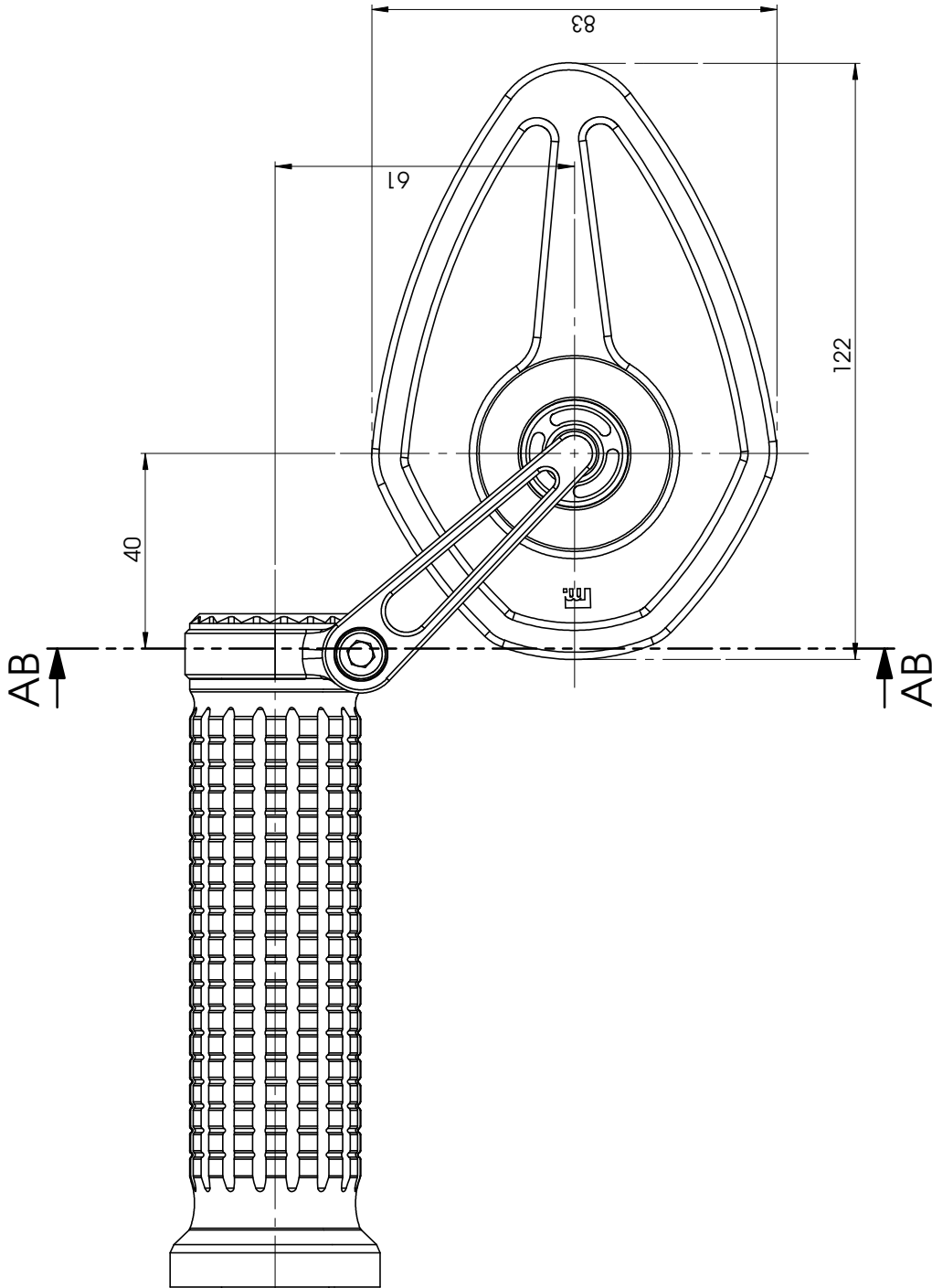
MENNICHT ANDERS DEFINIERT: BEMASSUNGEN SIND IN MILLIMETER TOLERANZEN: UNGER: WINKEL:		OBERFLÄCHENGÜTE: smooth finish: Rz 4,0 - 10µm black anodized		ENTGRATEN UND SCHÄRFE KANTEN BRECHEN		ZEHNUNG NICHT SKALIEREN		ÄNDERUNG	
ZEICHNET	NAME	SIGNATUR	DATUM			BENENNUNG:		7004030	
GEPRÜFT	G. Weber	GK	26.07.2016			ZEHNUNGSRNR.		m.view sport XL	
GENEHMIGT						WERKSTOFF:		A3	
PRODUKTION						6061-T6			
QUALITÄT						GEWICHT:			
						MASSSTAB: 1:1			2
						BLATT 1 VON 1			2

SCHNITT AB-AB
MAßSTAB 1 : 1



E13*81R00/02*9808*02

Société Nationale de Certification et d'Homologation



ECE Kennzeichnung durch Lasergravur in Spiegelfläche

WENN NICHT ANDERS DEFINIERT: BEWERTUNGEN SIND IN MILLIMETER		ENTGRATEN UND SCHÄRFE		ZEHNUNG NICHT SKALIEREN		ÄNDERUNG	
TOLERANZEN:		KANTEN BRECHEN					
UNGENAUIGKEIT:		OBERFLÄCHENGÜTE:					
WINKEL:		smooth finish: Rz 4,0 - 10µm					
		black anodized					
NAME	SIGNATUR	DATUM				BENENNUNG:	
G. Weber	GK	25.07.2018				7005030	
ZEICHNET							
GEPRÜFT							
GENEHMIGT							
PRODUKTION							
QUALITÄT							
						ZEICHNUNGSNR.	m.view pace
						WERKSTOFF:	6061-T6
						MAßSTAB 1:5	2
						GEWICHT:	3
						BLATT 1 VON 1	A3

motogadget GmbH confidential & proprietary

