

Full Deck Light Kit - With Denali Lighting ('24+ Road Glide)

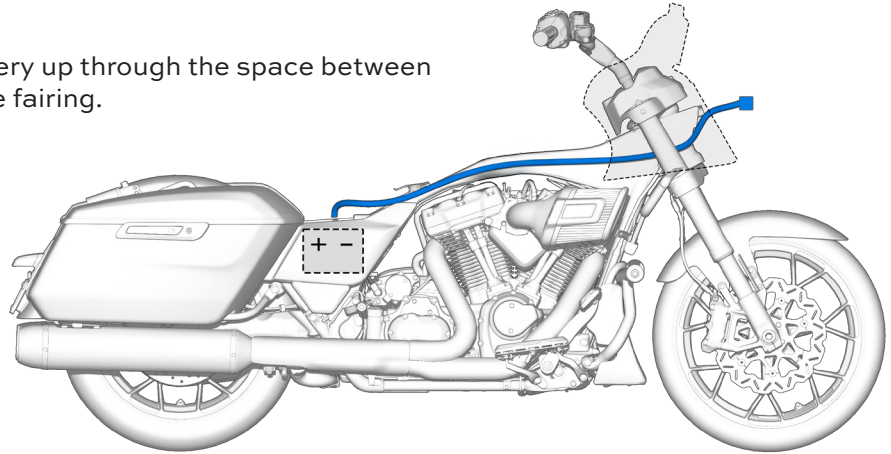
INSTALLATION GUIDE

DISCLAIMER: Kraus Motor Co. recommends that you defer to a certified mechanic or technician on any installation when possible. Refer to your OEM service manual for procedure, step by step procedures, required tools and specifications to make sure all pieces and parts are properly installed. Kraus Motor Co. is not responsible for improper installation of any OEM or Kraus component/kit. After completing installation, go for a slow, careful test ride. Afterwards, double check all pieces, parts and systems. Improper installation may result in severe injury or death.

1

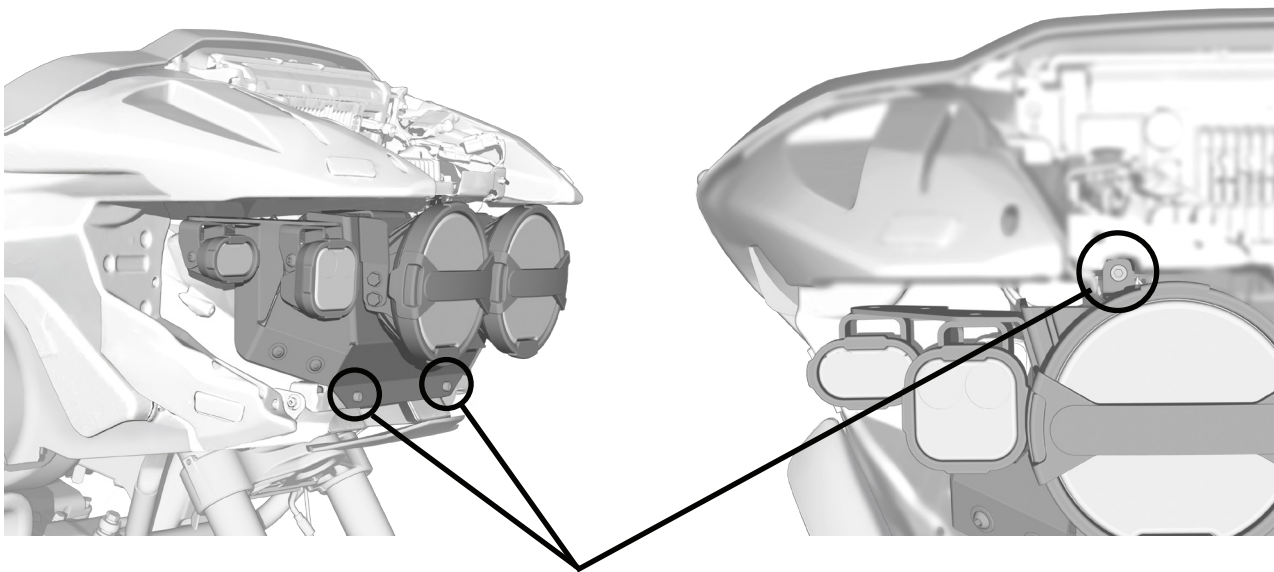
NOTE: Front fairing, headlight, tank, and seat must be removed prior to installation.

Route the wiring harness from the battery up through the space between the upper and lower triple trees into the fairing.



2

After connecting the Full Deck Light Kit Harness, use the supplied 1/4"-20 screws to secure the mounting bracket to the inner fairing.



1/4"-20 screws

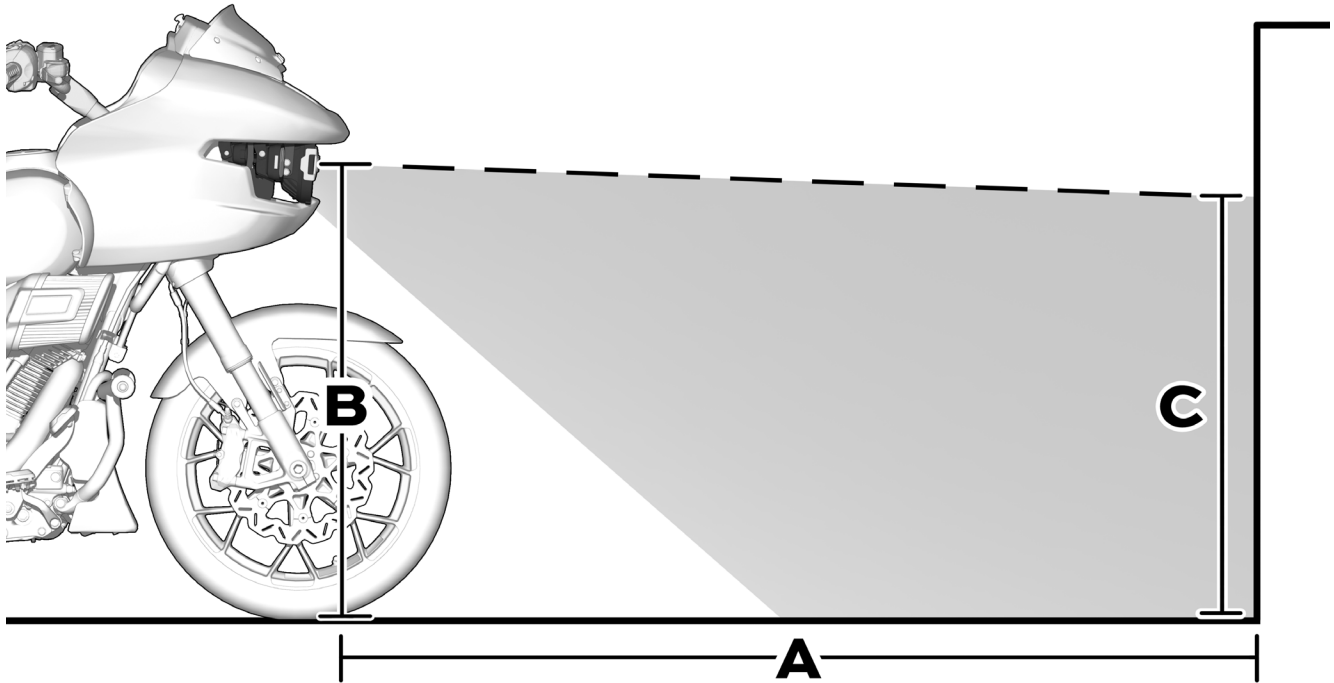
Full Deck Light Kit - With Denali Lighting ('24+ Road Glide)

INSTALLATION GUIDE

DISCLAIMER: Kraus Motor Co. recommends that you defer to a certified mechanic or technician on any installation when possible. Refer to your OEM service manual for procedure, step by step procedures, required tools and specifications to make sure all pieces and parts are properly installed. Kraus Motor Co. is not responsible for improper installation of any OEM or Kraus component/kit. After completing installation, go for a slow, careful test ride. Afterwards, double check all pieces, parts and systems. Improper installation may result in severe injury or death.

3

Aim the Denali D14, DL4, and DL2 lights according to the Harley-Davidson Service Manual specifications.



Aiming Reference:

- Locate your bike on level ground 16.5' from a wall.
- Measure the distance from the ground to the middle of the Denali D14 Headlight
- Place tape on the wall 1" lower than the middle of the headlight. (Measurement B)
- Rotate your low beam till the top of the light touches the tape
- Repeat Step D with auxiliary lights (DL4's & DL2's)

NOTICE: Motorcycles equipped with aftermarket headlights or stereo components may experience increased battery draw. For best long-term performance, keep your bike on a quality battery tender or maintainer whenever it's not in use.

KRAUS
support@krausmotorco.com