

Item number: **MSS.10.057.10000/S**

Revision: **00** · Date: **12 - 2025**

Engine guard

 ~ 2 h.

EASY     DIFFICULT

ENGLISH Thank you for choosing this premium product from SW-MOTECH. Visit our online shop for more information (e.g. model assignments). Required documents (e.g. national type approval) are available there for you to download.

Please read and understand all the instructions, safety information and warnings in these mounting instructions before mounting and using the product in order to avoid injury and damage. Keep these mounting instructions for reference.

This product was developed for vehicles in factory condition. Compatibility with original accessories or accessories from other manufacturers cannot be guaranteed.

These mounting instructions have been prepared to the best of our current knowledge. No legal claims relating to accuracy can be made. Errors and omissions excepted. We reserve the right to make technical and design changes. The copyright is held by SW-MOTECH.

SAFETY WARNING SYMBOL

 This warning symbol is used in these mounting instructions to warn of deadly dangers, injuries or other hazards. The words **DANGER**, **WARNING** or **CAUTION** are used as part of this warning symbol to convey important safety messages and information relating to the installation and use of this product. These words, together with the safety warning symbol, mean:

 **DANGER:** Indicates a hazardous situation which, if not avoided, will result in death or serious injury!

 **WARNING:** Indicates a hazardous situation which, if not avoided, may result in death or serious injury!

 **CAUTION:** Indicates a hazardous situation which, if not avoided, may result in minor or moderate injury!

 **NOTE:** Important information, but not relating to a risk of death or injury (property damage only)!

GENERAL INFORMATION

 **WARNING:** Assembly and/or maintenance of this product requires advanced technical skill, appropriate tools, and a good understanding of tool usage and torque specifications. For your own safety, SW-MOTECH recommends having the assembly and/or maintenance carried out by a qualified and certified motorcycle workshop.


 **WARNING:** If you do choose to assemble this product yourself, carefully and fully read the mounting instructions before assembly and use, and follow all instructions to avoid serious injury or death. Also observe all relevant information in the vehicle manual when mounting or using the product. IF YOU DO NOT UNDERSTAND ANY PART OF THESE MOUNTING INSTRUCTIONS OR NEED AN EXPLANATION AS TO A SPECIFIC INSTRUCTION, DO NOT ATTEMPT TO INSTALL THIS PRODUCT WITHOUT CONSULTING SW-MOTECH FOR ASSISTANCE!

PREPARATION: Read the mounting instructions carefully and make sure that all parts on the parts list are available.

 **CAUTION:** Ensure that your vehicle is standing securely. Switch off the engine and remove the ignition key. Allow the engine/exhaust to cool down if necessary. Disconnect the battery when working on the electrical system. Only use proper tools and always wear safety goggles and gloves during assembly and maintenance. Have a second person help you with assembly and maintenance.

ASSEMBLY: All parts and connections removed from the vehicle must be reinstalled according to the vehicle manufacturer's specifications or replaced with parts and hardware supplied by SW-MOTECH.

 **WARNING:** Secure all threads with a medium-strength liquid threadlocker, unless otherwise specified.

 **DANGER:** Tightening torques not defined by SW-MOTECH must be obtained from the vehicle manufacturer or a certified motorbike workshop.

FUNCTIONAL CHECK: After mounting the product, ensure that no moving parts are obstructed and that the function of the vehicle is not impeded. Cables and hoses must not rub against each other and/or be hindered in any way.

 **WARNING:** Carry out a comprehensive functionality check before you start to drive. Check the tightening torque of all connections and the tight fit of the product after the first 50 km and then at regular intervals. Mounted accessories can change the handling and stability of the vehicle.



SW-MOTECH GmbH & Co. KG
Ernteweg 7-10
35282 Rauschenberg
Germany



 info@sw-motech.com
 www.sw-motech.com



Take note of the symbols and what they mean in the ASSEMBLY section. If the term OEM appears in the ASSEMBLY section, the vehicle manufacturer's specifications must be observed and applied.



If you have any questions, please don't hesitate to contact our Customer Service team or our distributors. You can find our telephone number and a list of our distributors in our online shop:

www.sw-motech.com



Use thread locker: Indicates that a thread must be coated with liquid thread locker. H (HIGH): high strength; M (MEDIUM): medium strength; L (LOW): low strength.



Tighten/note the tightening torque information:

Indicates the tightening torque of a part specified by SW-MOTECH or the vehicle manufacturer (OEM).



Do not use thread lock: Indicates that no liquid thread lock should be used at this point.

PARTS LIST - READ AND KEEP MOUNTING INSTRUCTIONS!

<p>3</p> <p>1</p>  <p>MSS.10.057.002.11</p> <p> 2/2</p>	<p>2</p>  <p>M6 x 16; DIN 6921 SC.ST.06.016.48.6921.109</p> <p> 2/2</p>	<p>3</p>  <p>MSS.04.521.006.11</p> <p> 1/1</p>	<p>4</p>  <p>M6 x 40; DIN 931 SC.ST.06.040.01.931.088</p> <p> 2/2</p>	<p>5</p>  <p>M6 x 25; DIN 933 SC.ST.06.025.01.933.088</p> <p> 2/2</p>	<p>6</p>  <p>ø 6.4; DIN 125 US.ST.064.01.125</p> <p> 4/6</p>
<p>7</p>  <p>Ø 14 / ø 6,4 / h 21 DB.ST.0140.0064.0210.48</p> <p> 2/2</p>	<p>8</p>  <p>Ø 14 / ø 6,4 / h 6 DB.ST.0140.0064.0060.48</p> <p> 2/2</p>				
<p>4</p> <p>9</p>  <p>MSS.10.057.003.11</p> <p> 1/1</p>	<p>10</p>  <p>M6 x 20; DIN 933 SC.ST.06.020.01.933.088</p> <p> 2/2</p>	<p>11</p>  <p>ø 6.4; DIN 125 US.ST.064.01.125</p> <p> 2/6</p>	<p>12</p>  <p>M6; DIN 6927 MU.ST.06.02.6927.08</p> <p> 2/2</p>		
<p>5</p> <p>13</p>  <p>M8 x 40; DIN 6912 SC.ST.08.040.02.6912.088</p> <p> 1/1</p>	<p>14</p>  <p>ø 8,4; DIN 125 US.ST.084.02.125</p> <p> 1/2</p>	<p>15</p>  <p>Ø 14 / ø 8,4 / h 22 DB.ST.0140.0084.0220.48</p> <p> 1/1</p>	<p>16</p>  <p>KB.PA.036.140.02</p> <p> 1/2</p>		
<p>6</p> <p>17</p>  <p>M8 x 35; DIN 6912 SC.ST.08.035.02.6912.088</p> <p> 1/1</p>	<p>18</p>  <p>ø 8,4; DIN 125 US.ST.084.02.125</p> <p> 1/2</p>	<p>19</p>  <p>Ø 15 / ø 8,4 / h 15 DB.ST.0150.0084.0150.48</p> <p> 1/1</p>	<p>20</p>  <p>KB.PA.036.140.02</p> <p> 1/2</p>		
<p>7</p> <p>21</p>  <p>MSS.10.057.900.01.01</p> <p> 1/1</p>	<p>22</p>  <p>MSS.04.521.009L.02</p> <p> 1/1</p>	<p>23</p>  <p>MSS.04.521.008L.02</p> <p> 1/1</p>	<p>24</p>  <p>MSS.04.521.008R.02</p> <p> 1/1</p>	<p>25</p>  <p>MSS.04.521.009R.02</p> <p> 1/1</p>	

PARTS LIST - READ AND KEEP MOUNTING INSTRUCTIONS!

10

26



M6 x 16; DIN 7991
SC.ST.06.016.01.7991.088

 **2/2**

27



∅ 6,4
SE.00.064.01

 **2/2**

28



M8 x 20; DIN 933
SC.ST.08.020.01.933.088

 **6/6**

29



∅ 8,4; DIN 125
US.ST.084.01.125

 **6/6**

30



M6 x 16; DIN 912
SC.ST.06.016.01.912.088

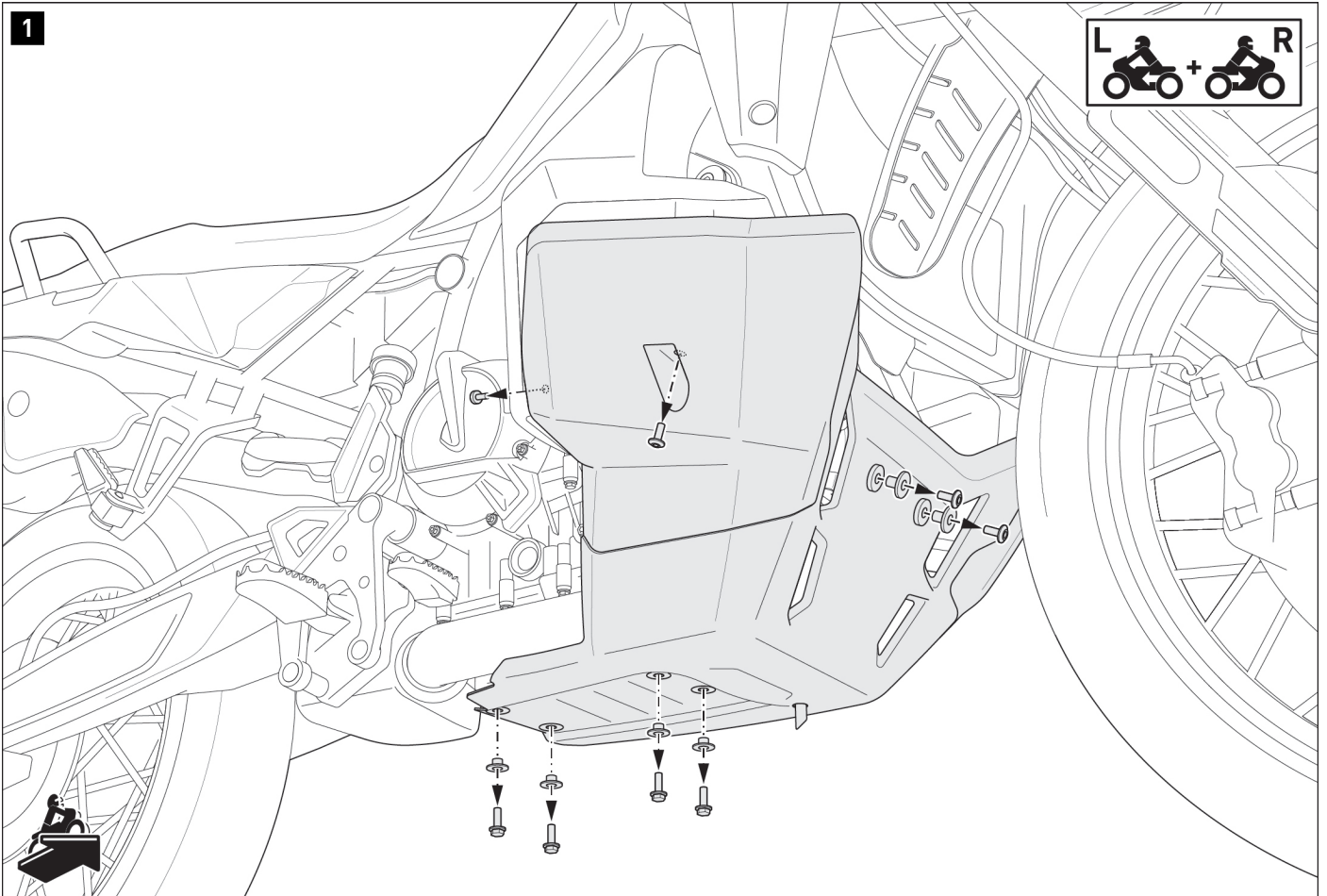
 **2/2**

31



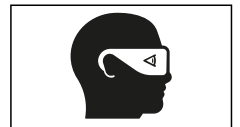
∅ 6,4; DIN 9021
US.ST.064.01.9021

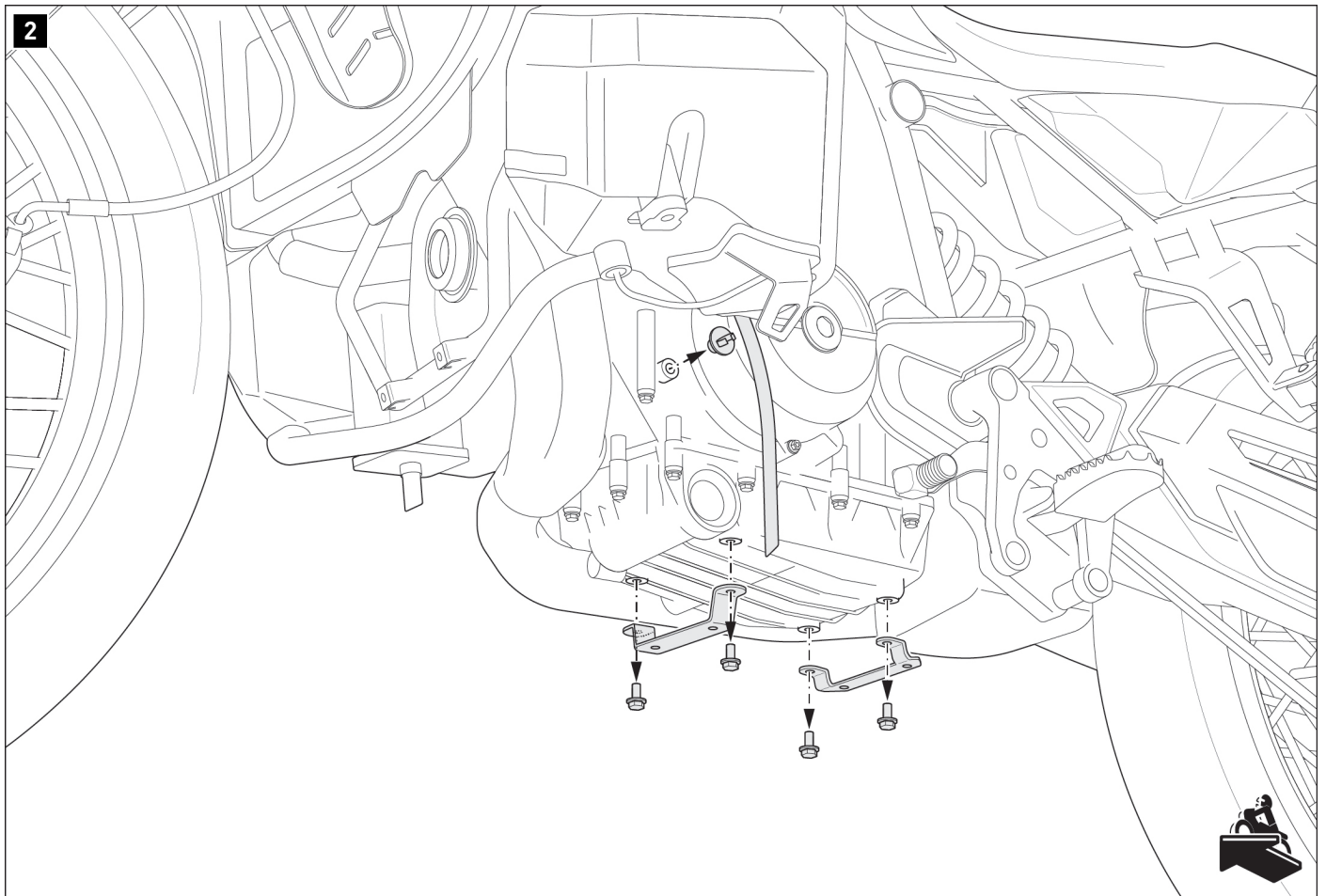
 **2/2**



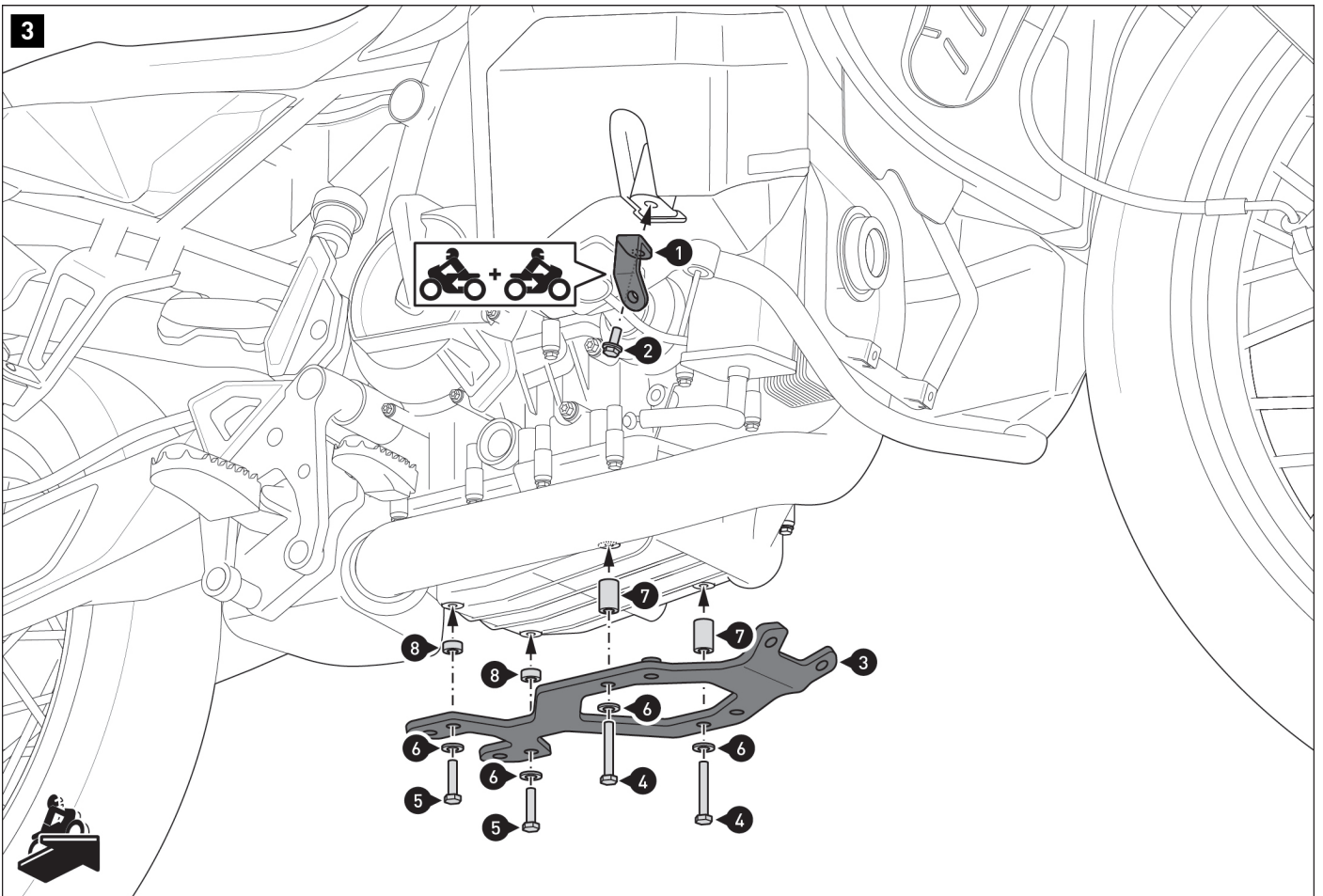
- ▲ **WARNING: Always wear eye and hand protection!**
- ▲ **WARNING: Always use suitable tools!**

Loosen the indicated screws on **both sides** and remove the original engine guard from the vehicle.



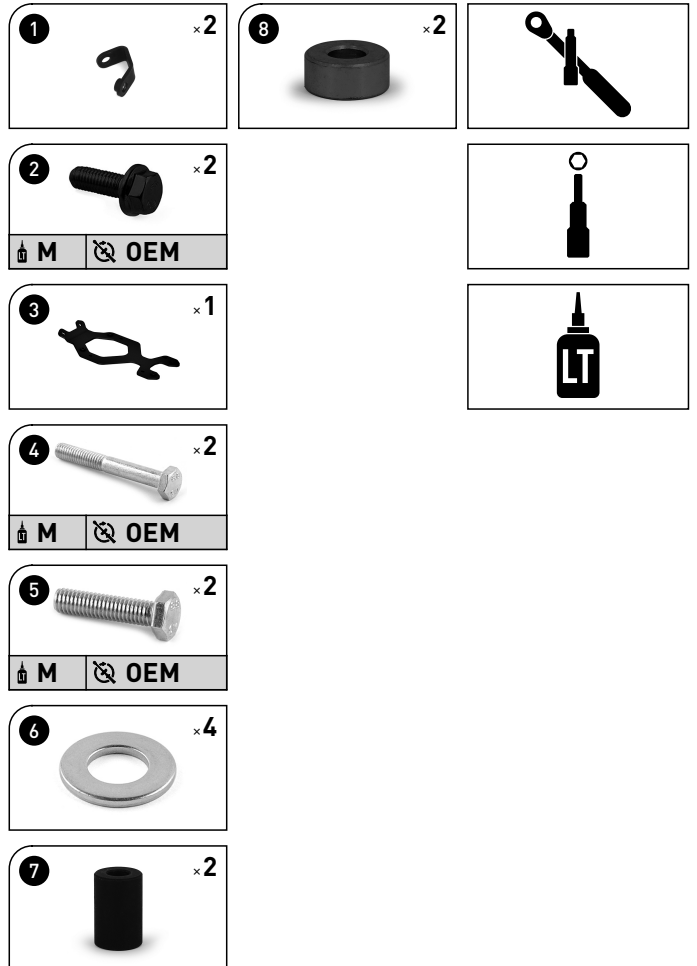


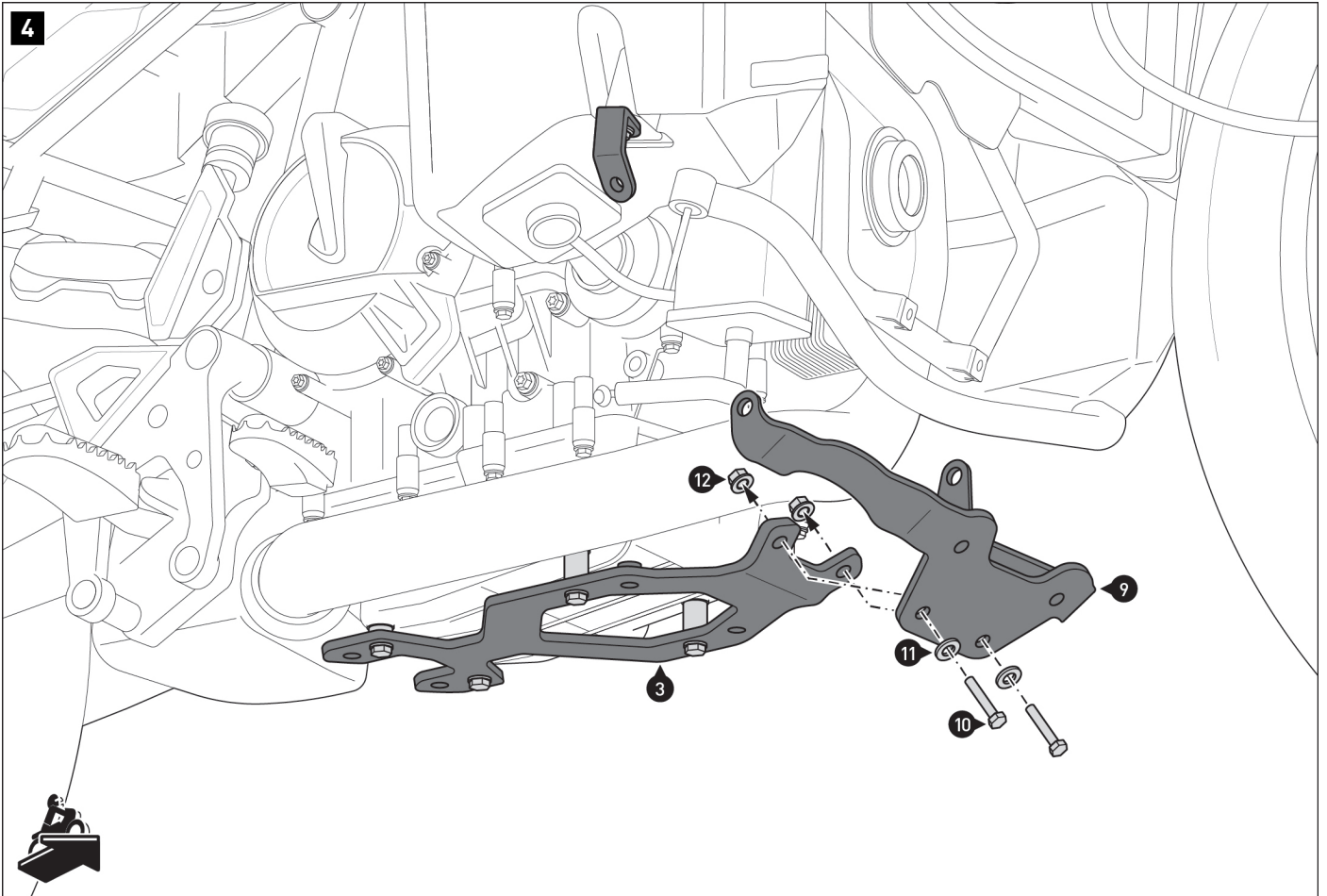
Detach the overflow hose from the holder.
Remove the original engine guard holder and mounting brackets from the vehicle.



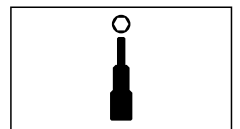
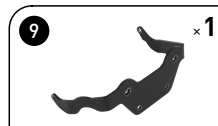
Screw the mounting angles (1) on **both sides** and the lower mounting bracket (3) onto the vehicle.

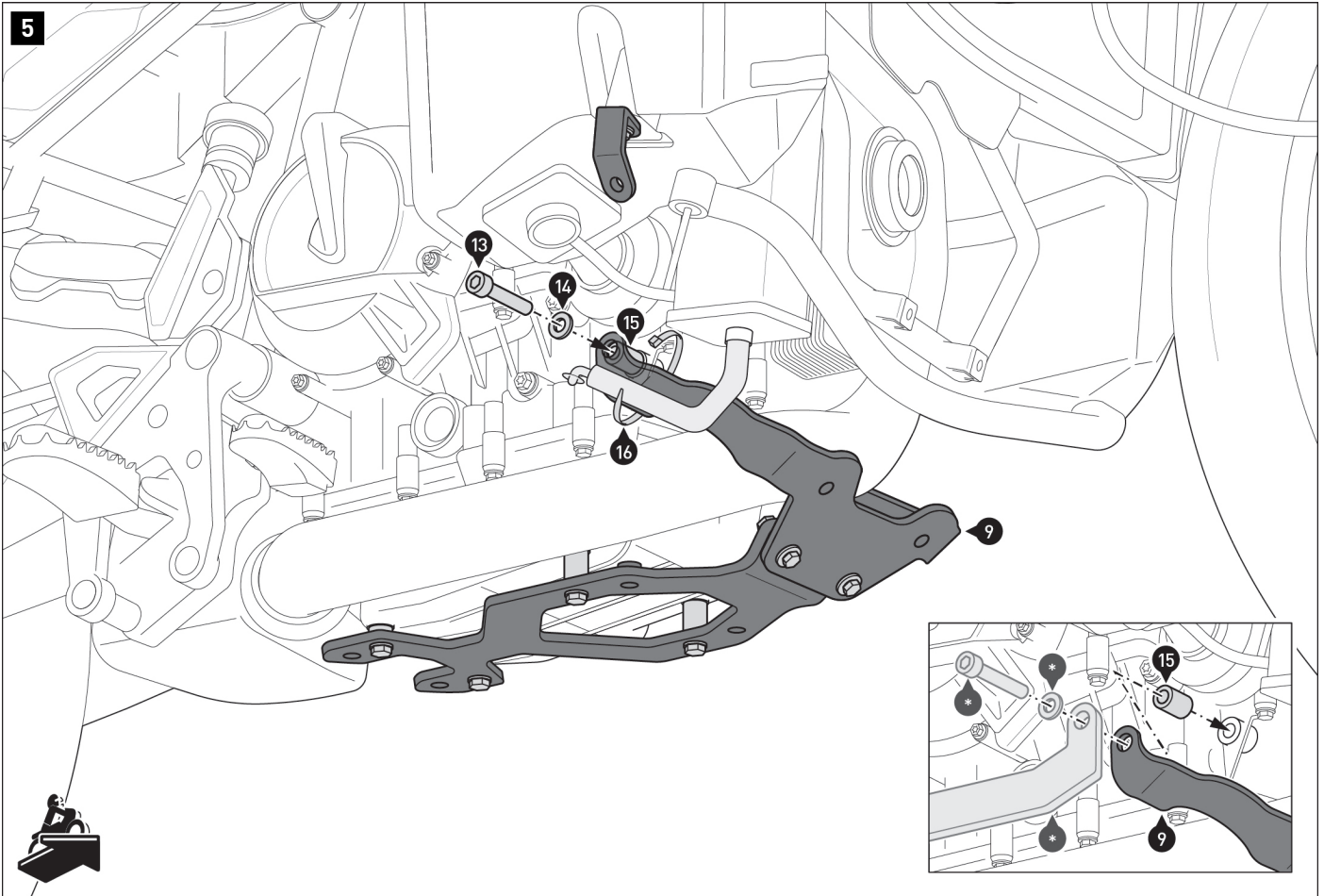
▲ WARNING: Use liquid threadlocker!
Do not tighten screws (2), (4) and (5) yet.





Screw the front mounting bracket (9) to the lower mounting bracket (3).
Do not tighten the screws (10) yet.



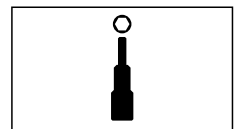
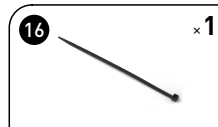
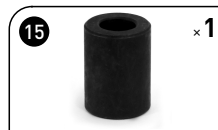


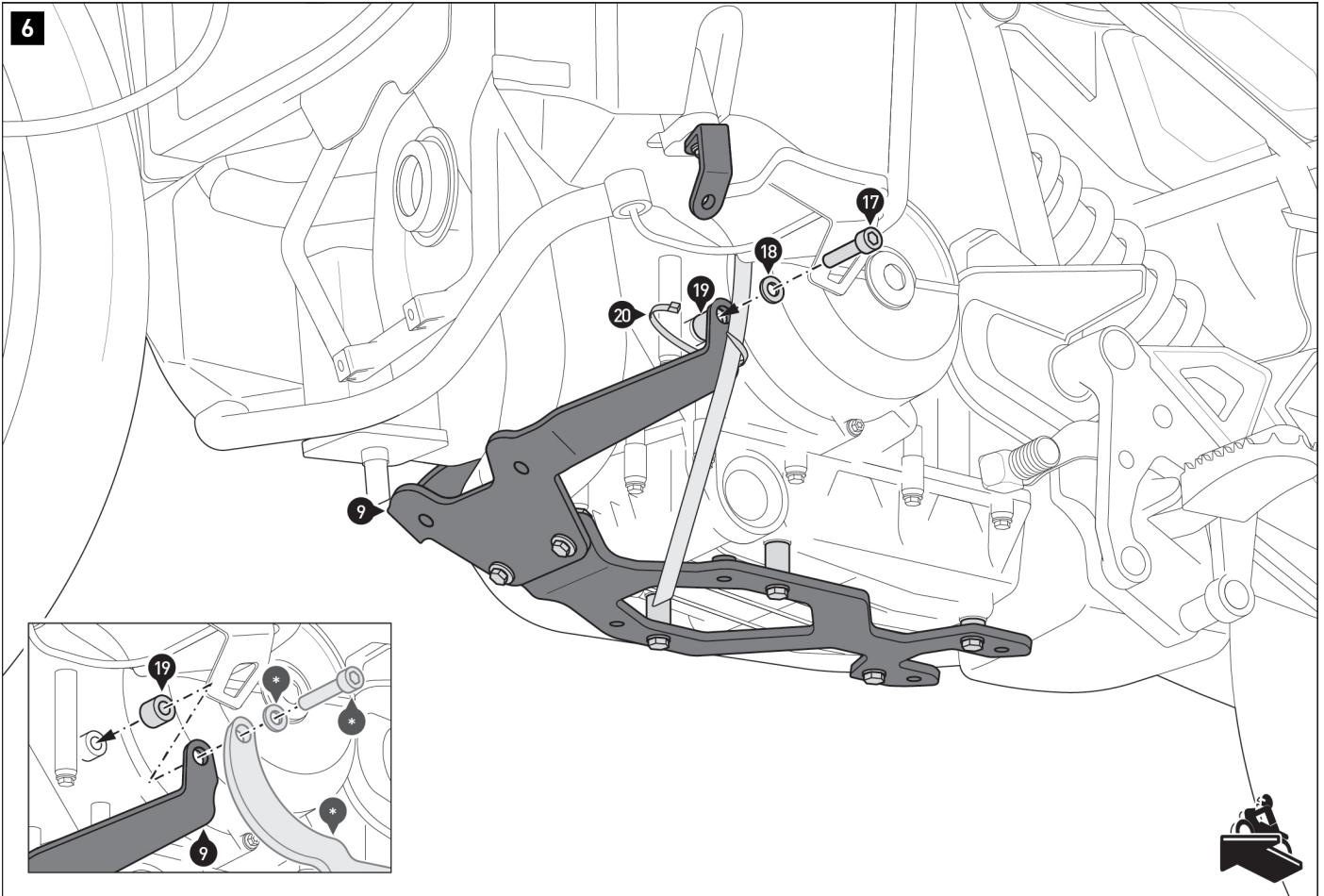
⚠ NOTE: The detailed drawing illustrates how to mount the engine guard with a SW-MOTECH crash bar. Use the mounting parts included with the crash bar (-) together with the indicated engine guard mounting parts.

Screw the front mounting bracket (9) to the **right** side of the vehicle.

⚠ WARNING: Use liquid threadlocker!
Do not tighten the screw (13) yet.

Attach the ventilation hose to the front mounting bracket (16) using the cable tie (9).



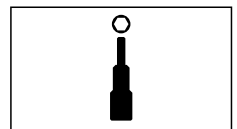
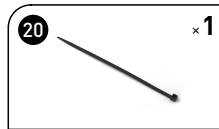
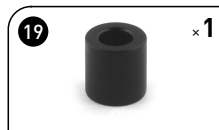


⚠ NOTE: The detailed drawing illustrates how to mount the engine guard with a SW-MOTECH crash bar. Use the mounting parts included with the crash bar (-) together with the indicated engine guard mounting parts.

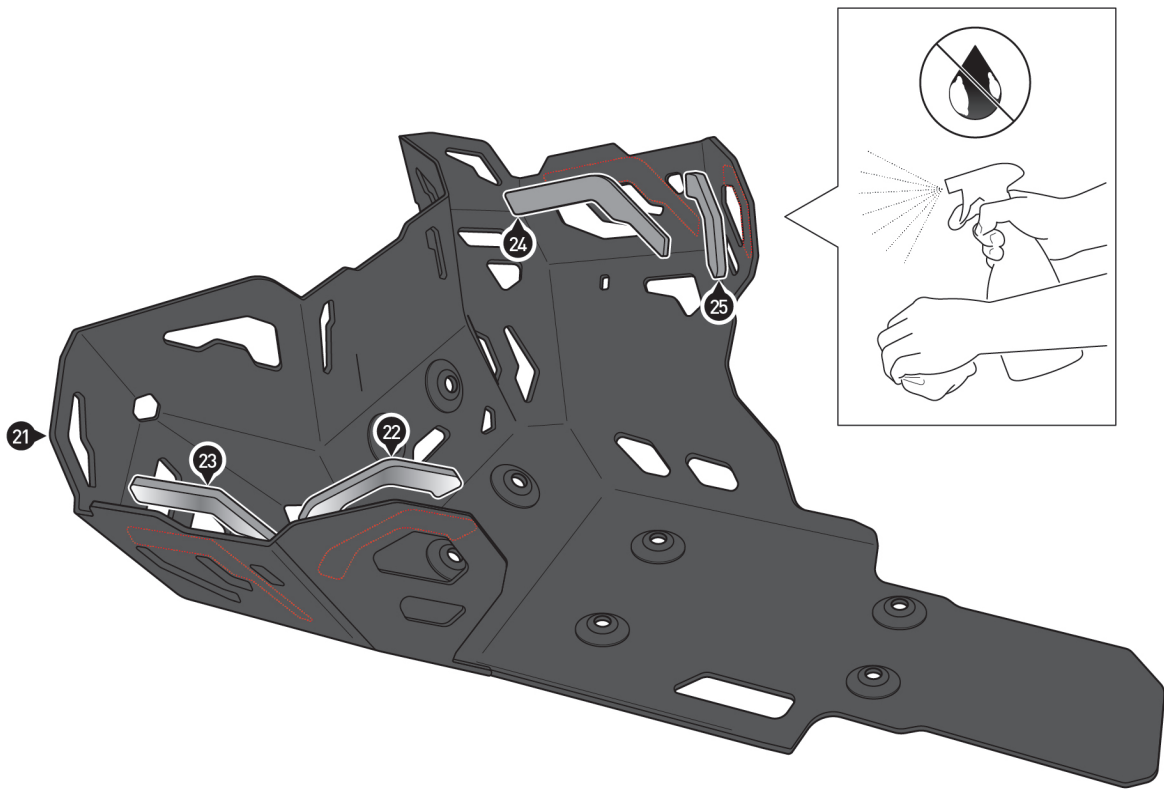
Screw the front mounting bracket (9) to the **left** side of the vehicle.

⚠ WARNING: Use liquid threadlocker!
Do not tighten the screw (17) yet.

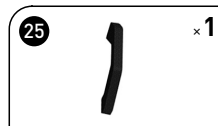
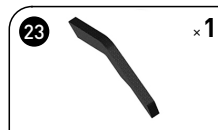
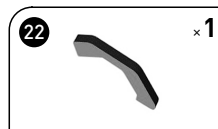
Attach the overflow hose to the front mounting bracket (20) using the cable tie (9).

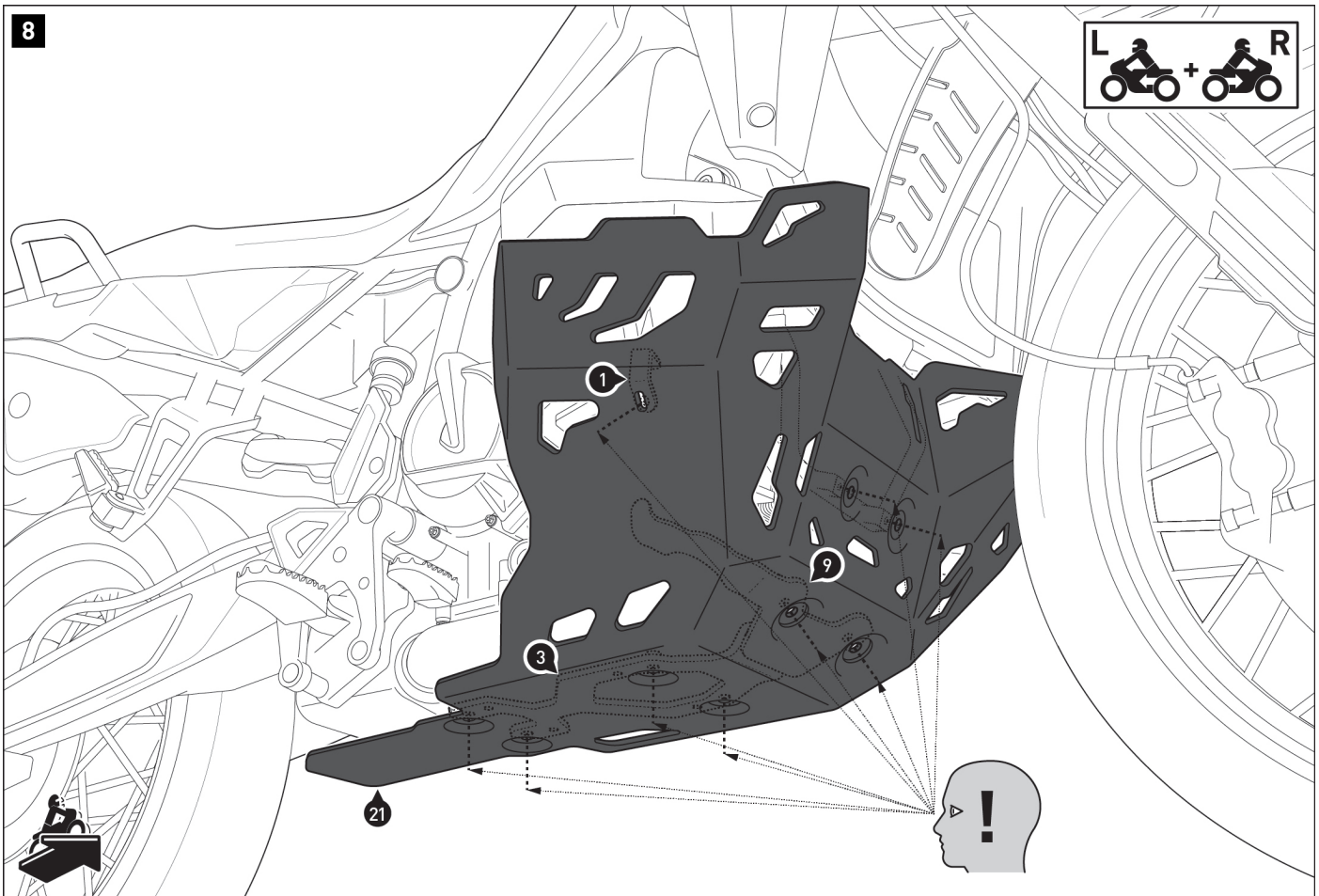


7



Thoroughly clean the surface of the engine guard (21) to remove any grease and dirt residue.
 Remove the protective film from rubber pads (22) to (25).
 Glue rubber pads (22) to (25) to the inside of the engine guard (21).

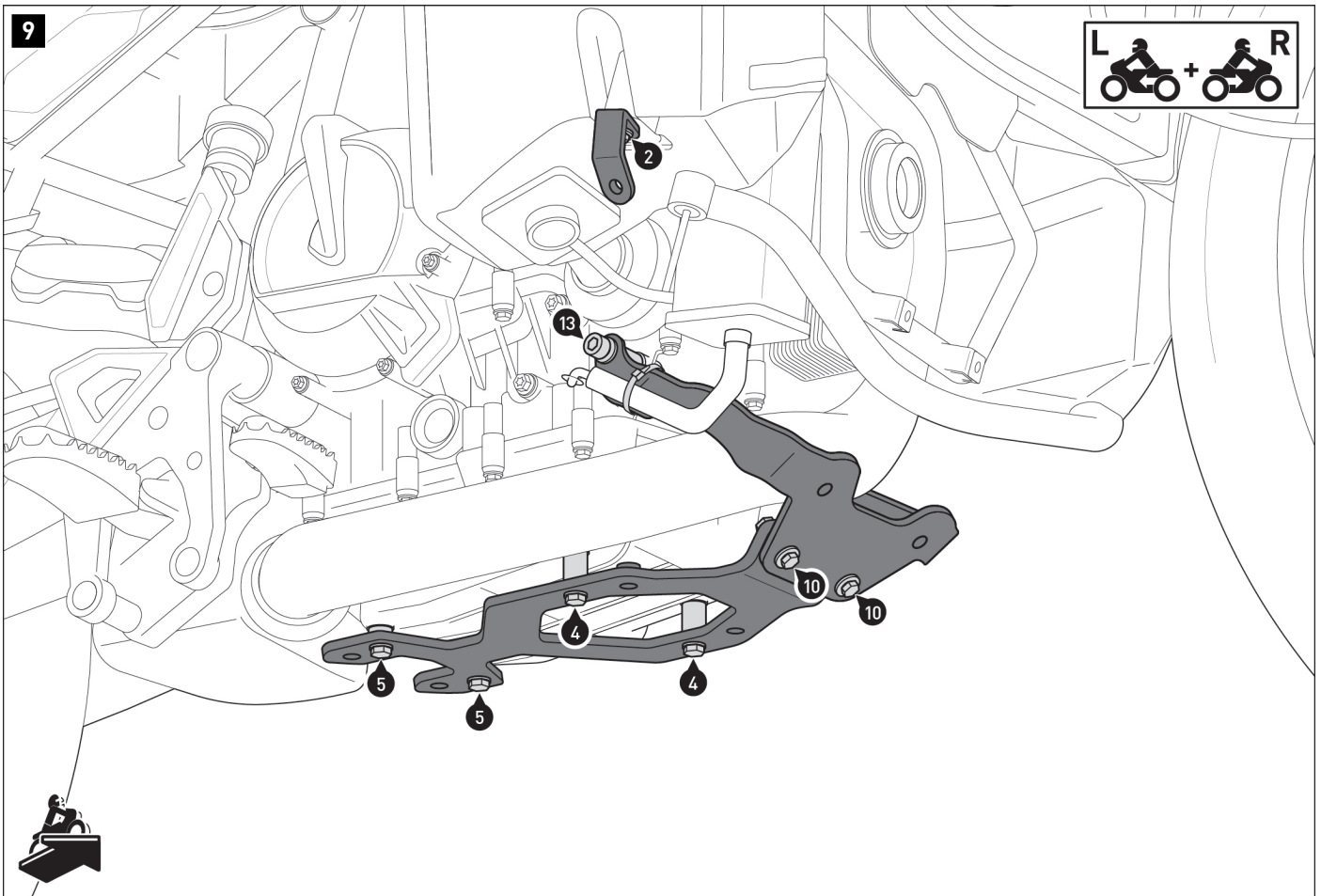




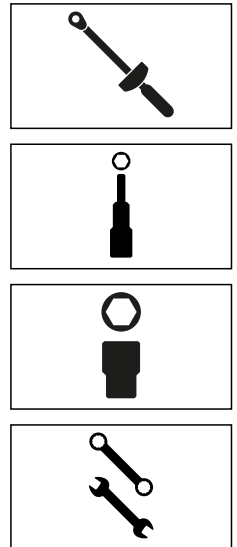
Together with another person, press the engine guard (21) onto all previously attached mounting angles (1), mounting brackets (3) and (9) and the original front attachment points.

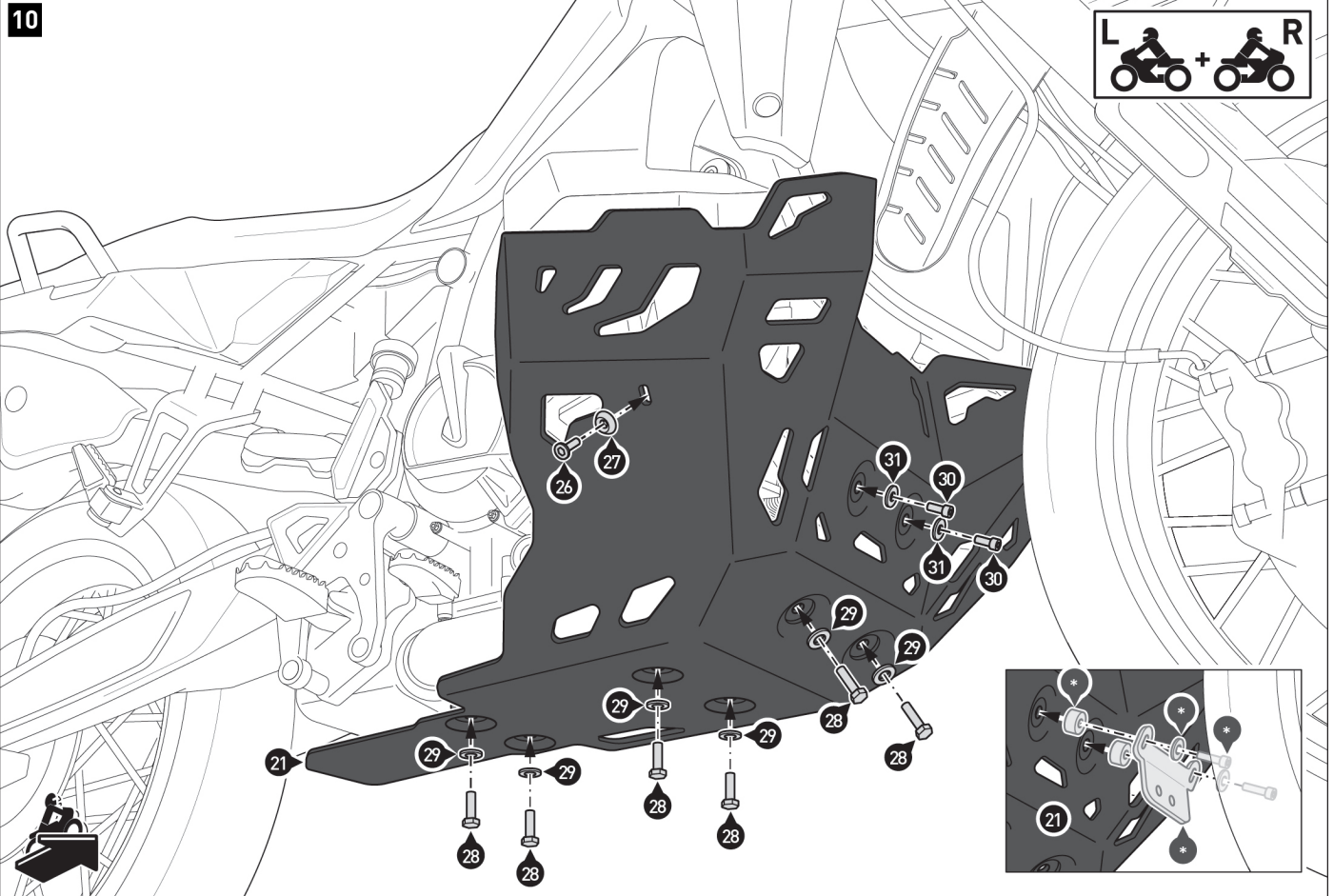
Ensure that the screw holes on the engine guard (21) are aligned with the attachment points on the mounting angles (1), mounting brackets (3) and (9) and the original front attachment points.
If necessary, readjust individual components.

Remove the engine guard (21).



Tighten the screws on **both sides** in the following order: (13)/(17), (4), (5), (10), (2).





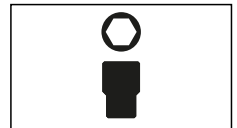
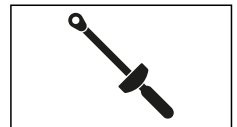
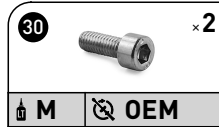
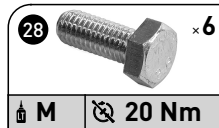
⚠ NOTE: The detailed drawing illustrates how to mount the engine guard with a SW-MOTECH crash bar. Use the mounting parts included with the crash bar (-) together with the indicated engine guard mounting parts.

Screw the engine guard (21) to the mounting angle (1), mounting brackets (3) and (9) and the original front attachment points.

⚠ WARNING: Use liquid threadlocker!

Once all components in place, tighten screws (28) and (26) as specified in the mounting instructions.

Tighten the screws (30) according to the vehicle manufacturer's specifications.



PRODUCT-SPECIFIC NOTES

⚠ WARNING: Ground clearance may be restricted by this product! Particular caution is required when cornering at extreme inclination and/or driving on uneven ground (e.g. curbs and bumps)!

⚠ WARNING: Motorcycle exhaust pipes often have large geometric tolerances. Make sure that there is sufficient distance between all parts in the affected areas!

⚠ NOTE: *Observe the country-specific regulations for the registration/operation of your vehicle and any applicable TÜV regulations. Have any parts requiring registration entered into your vehicle documents by your inspection centre after they have been installed.*