

# ANBAUANLEITUNG

mounting instructions • instructions de montage • instrucciones de montaje • istruzioni di montaggio

## GPT.08.866.30001

beinhaltet • contains • contient • contiene • contiene

GPT.08.866.16001/B


GPT.00.152.54500/B

BC.HTA.00.305.30000

Item number: GPT.08.866.16001/B

Revision: 00 · Date: 03 - 2026

## STREET-RACK

 ~ 0.75 h.EASY      DIFFICULT

**ENGLISH** Thank you for choosing this premium product from SW-MOTECH. Visit our online shop for more information (e.g. model assignments). Required documents (e.g. national type approval) are available there for you to download.

Please read and understand all the instructions, safety information and warnings in these mounting instructions before mounting and using the product in order to avoid injury and damage. Keep these mounting instructions for reference.

This product was developed for vehicles in factory condition. Compatibility with original accessories or accessories from other manufacturers cannot be guaranteed.

These mounting instructions have been prepared to the best of our current knowledge. No legal claims relating to accuracy can be made. Errors and omissions excepted. We reserve the right to make technical and design changes. The copyright is held by SW-MOTECH.

## SAFETY WARNING SYMBOL

 This warning symbol is used in these mounting instructions to warn of deadly dangers, injuries or other hazards. The words **DANGER**, **WARNING** or **CAUTION** are used as part of this warning symbol to convey important safety messages and information relating to the installation and use of this product. These words, together with the safety warning symbol, mean:

 **DANGER:** Indicates a hazardous situation which, if not avoided, will result in death or serious injury!

 **WARNING:** Indicates a hazardous situation which, if not avoided, may result in death or serious injury!

 **CAUTION:** Indicates a hazardous situation which, if not avoided, may result in minor or moderate injury!

 **NOTE:** Important information, but not relating to a risk of death or injury (property damage only)!

## GENERAL INFORMATION

 **WARNING:** Assembly and/or maintenance of this product requires advanced technical skill, appropriate tools, and a good understanding of tool usage and torque specifications. For your own safety, SW-MOTECH recommends having the assembly and/or maintenance carried out by a qualified and certified motorcycle workshop.

 **WARNING:** If you do choose to assemble this product yourself, carefully and fully read the mounting instructions before assembly and use, and follow all instructions to avoid serious injury or death. Also observe all relevant information in the vehicle manual when mounting or using the product. IF YOU DO NOT UNDERSTAND ANY PART OF THESE MOUNTING INSTRUCTIONS OR NEED AN EXPLANATION AS TO A SPECIFIC INSTRUCTION, DO NOT ATTEMPT TO INSTALL THIS PRODUCT WITHOUT CONSULTING SW-MOTECH FOR ASSISTANCE!

**PREPARATION:** Read the mounting instructions carefully and make sure that all parts on the parts list are available.

 **CAUTION:** Ensure that your vehicle is standing securely. Switch off the engine and remove the ignition key. Allow the engine/exhaust to cool down if necessary. Disconnect the battery when working on the electrical system. Only use proper tools and always wear safety goggles and gloves during assembly and maintenance. Have a second person help you with assembly and maintenance.

**ASSEMBLY:** All parts and connections removed from the vehicle must be reinstalled according to the vehicle manufacturer's specifications or replaced with parts and hardware supplied by SW-MOTECH.

 **WARNING:** Secure all threads with a medium-strength liquid threadlocker, unless otherwise specified.

 **DANGER:** Tightening torques not defined by SW-MOTECH must be obtained from the vehicle manufacturer or a certified motorbike workshop.

**FUNCTIONAL CHECK:** After mounting the product, ensure that no moving parts are obstructed and that the function of the vehicle is not impeded. Cables and hoses must not rub against each other and/or be hindered in any way.

 **WARNING:** Carry out a comprehensive functionality check before you start to drive. Check the tightening torque of all connections and the tight fit of the product after the first 50 km and then at regular intervals. Mounted accessories can change the handling and stability of the vehicle.



SW-MOTECH GmbH & Co. KG  
Ernteweg 7-10  
35282 Rauschenberg  
Germany



 [info@sw-motech.com](mailto:info@sw-motech.com)  
 [www.sw-motech.com](http://www.sw-motech.com)



Take note of the symbols and what they mean in the ASSEMBLY section. If the term OEM appears in the ASSEMBLY section, the vehicle manufacturer's specifications must be observed and applied.



If you have any questions, please don't hesitate to contact our Customer Service team or our distributors. You can find our telephone number and a list of our distributors in our online shop:

**[www.sw-motech.com](http://www.sw-motech.com)**



**Use thread locker:** Indicates that a thread must be coated with liquid thread locker. H (HIGH): high strength; M (MEDIUM): medium strength; L (LOW): low strength.

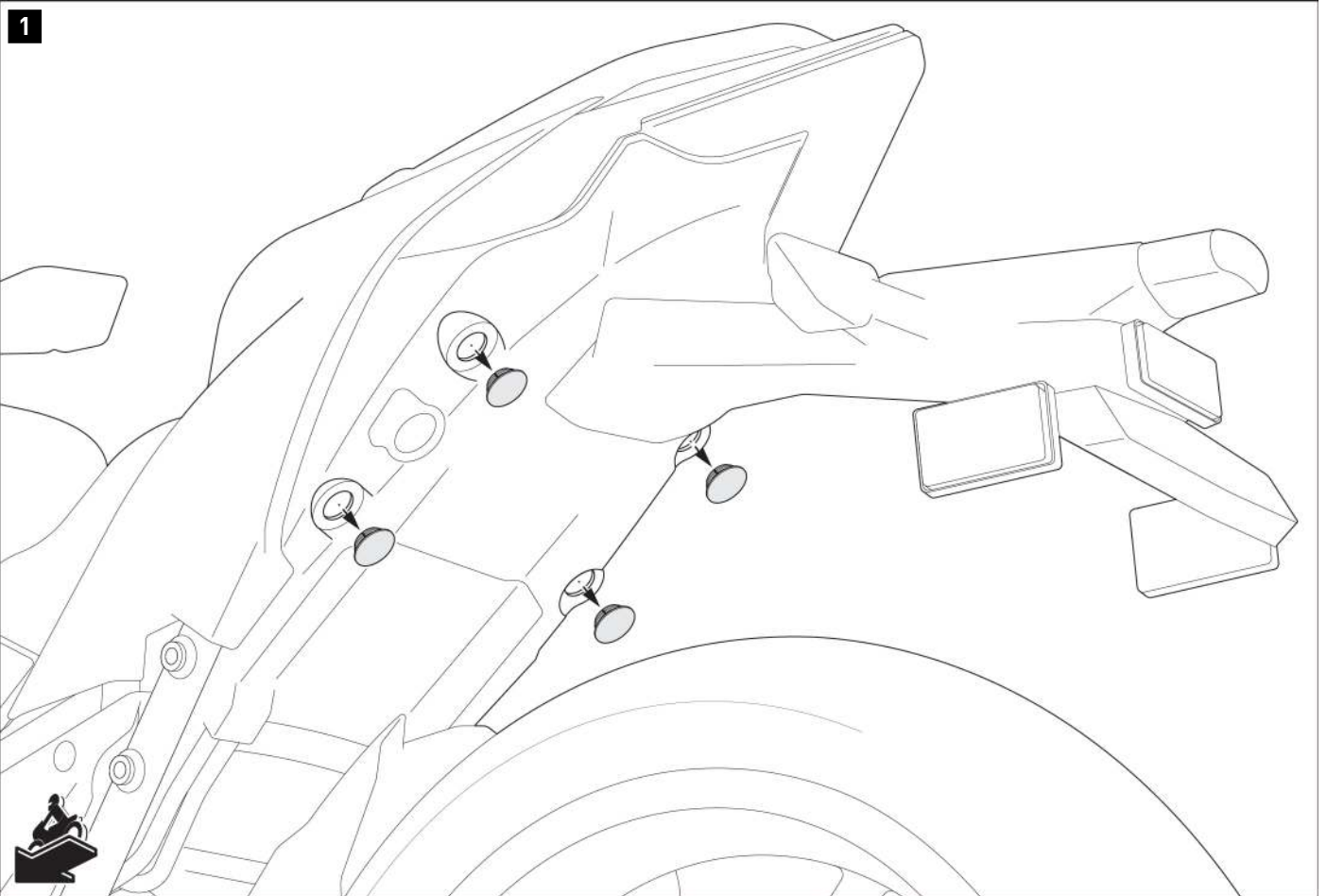


**Tighten/note the tightening torque information:**

Indicates the tightening torque of a part specified by SW-MOTECH or the vehicle manufacturer (OEM).

**PARTS LIST - READ AND KEEP MOUNTING INSTRUCTIONS!**

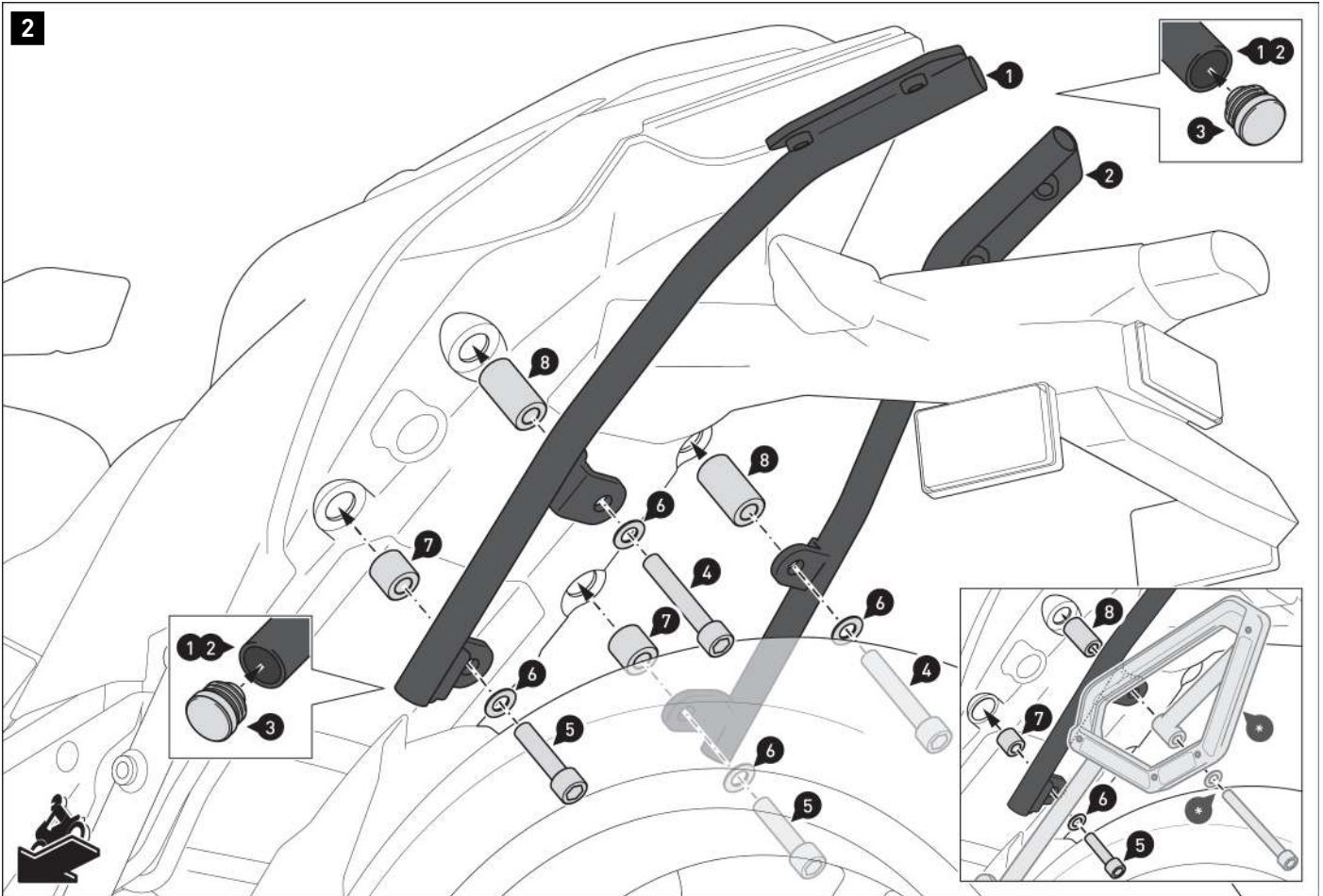
<b>2</b>	<div data-bbox="150 150 359 371">  </div> <div data-bbox="150 371 359 454"> <p>GPT.08.866.901.02.11</p> <p> 1/1</p> </div>	<div data-bbox="359 150 584 371">  </div> <div data-bbox="359 371 584 454"> <p>GPT.08.866.902.02.11</p> <p> 1/1</p> </div>	<div data-bbox="584 150 809 371">  </div> <div data-bbox="584 371 809 454"> <p>KES.RD.210.0300.02.GL</p> <p> 4/4</p> </div>	<div data-bbox="809 150 1034 371">  </div> <div data-bbox="809 371 1034 454"> <p>M8 x 45; DIN 912 SC.ST.08.045.48.912.109</p> <p> 2/2</p> </div>	<div data-bbox="1034 150 1259 371">  </div> <div data-bbox="1034 371 1259 454"> <p>M8 x 35; DIN 912 SC.ST.08.035.02.912.109</p> <p> 2/2</p> </div>	<div data-bbox="1259 150 1505 371">  </div> <div data-bbox="1259 371 1505 454"> <p>ø 8,4; DIN 125 US.ST.084.02.125</p> <p> 4/4</p> </div>
	<div data-bbox="150 472 359 694">  </div> <div data-bbox="150 694 359 777"> <p>Ø 18 / ø 8,4 / h 15 DB.ST.0180.0084.0150.48</p> <p> 2/2</p> </div>	<div data-bbox="359 472 584 694">  </div> <div data-bbox="359 694 584 777"> <p>Ø 18 / ø 8,4 / h 25 DB.ST.0180.0084.0250.48</p> <p> 2/2</p> </div>				
<b>3</b>	<div data-bbox="150 795 359 1016">  </div> <div data-bbox="150 1016 359 1104"> <p>GPT.00.200.050.11</p> <p> 1/1</p> </div>	<div data-bbox="359 795 584 1016">  </div> <div data-bbox="359 1016 584 1104"> <p>M8 x 25; DIN 7991 SC.ST.08.025.02.7991.088</p> <p> 4/4</p> </div>	<div data-bbox="584 795 809 1016">  </div> <div data-bbox="584 1016 809 1104"> <p>ø 8,4 SE.00.084.02</p> <p> 4/4</p> </div>			



- ▲ **WARNING: Always wear eye and hand protection!**
- ▲ **WARNING: Always use suitable tools!**

Remove the plastic plugs from the vehicle.



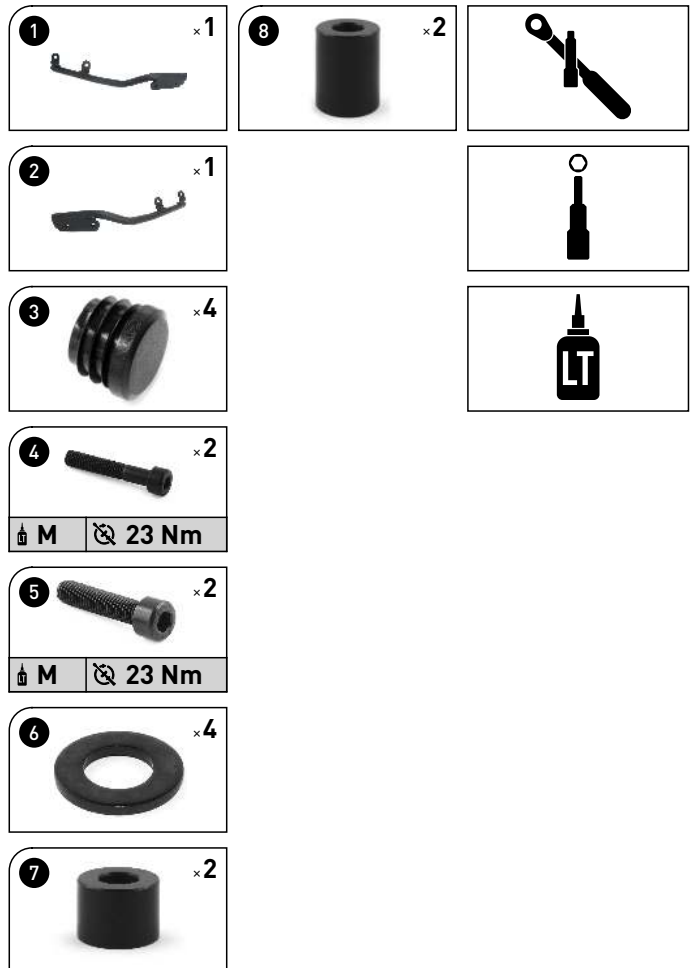


**⚠ NOTE:** The detailed drawing shows the installation of the luggage rack with the SW-MOTECH side carrier. Use the mounting parts included with the side carrier [-] in combination with the mounting parts shown for the luggage rack.

Insert the plastic plugs [3] into the ends of the mounting struts [1/2].

Screw the struts [1/2] to **both sides** of the vehicle.

**⚠ WARNING: Use liquid threadlocker!**  
Do not tighten screws [4] and [5] yet.

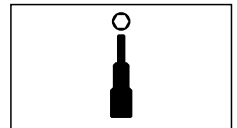
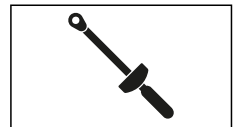




Screw the luggage rack (9) onto the mounting struts (1/2).

**▲ WARNING: Use liquid threadlocker!**

When all components are in place without tension, tighten screws (4), (5), and (10) as specified in the mounting instructions.



PRODUCT-SPECIFIC NOTES

**⚠ WARNING:** The specified maximum load includes the weight of the suitcase/luggage and adapter plate/adapter kit. The maximum load of the vehicle specified by the bike manufacturer applies.



≤ 7.5KG (≤ 16.5 lbs)



≤ 130 km/h (≤ 80 mph)

**⚠ NOTICE:** Observe all country-specific regulations for registering and operating your bike as well as the applicable TÜV requirements. After installation, have any registration-relevant parts entered into your vehicle documents by the local inspection authority.

Art.-Nr. / Item No.: **GPT.00.152.54500/B**

Revision: **00** · Datum / Date: **03 - 2018**

**Erweiterung für  
STREET-RACK Gepäckträger**

**Luggage rack extension for  
STREET-RACK**

**DEUTSCH** - Vielen Dank, dass Sie sich für dieses Premium-Produkt von SW-MOTECH entschieden haben. Bitte besuchen Sie unseren Webshop für weitere Informationen wie Modellzuweisungen und PDF-Anbauanleitung. Erforderliche Dokumente (z. B. ABE) stehen als Download zur Verfügung.

Die Montage und/oder Wartung dieses Produkts erfordert ein gutes technisches Verständnis! Zu Ihrer eigenen Sicherheit empfiehlt SW-MOTECH, die Montage und/oder Wartung durch eine Fachwerkstatt durchführen zu lassen! SW-MOTECH übernimmt keine Haftung für Schäden, die durch eine unsachgemäße Montage und/oder Wartung verursacht wurden!

Beachten Sie alle in der Anbauanleitung angegebenen Hinweise und die für die Montage relevanten Informationen im Fahrzeughandbuch. Nichtbeachtung kann zu Schäden am Fahrzeug bzw. zur Gefährdung des Fahrers führen! Diese Anbauanleitung ist nach unserem derzeitigen Kenntnisstand verfasst worden. Rechtliche Ansprüche auf Richtigkeit bestehen nicht.

Dieses Produkt wurde für Fahrzeuge im Werkzustand entwickelt. Die Kompatibilität mit Original-Zubehörteilen bzw. den Zubehörteilen anderer Hersteller kann nicht gewährleistet werden. Stellen Sie des Weiteren VOR Montage dieses Produkts sicher, dass sich alle beweglichen Teile (z. B. die Kette) im ursprünglichen Wartungszustand befinden. Montiertes Zubehör kann das Fahrverhalten und/oder die Stabilität Ihres Fahrzeugs verändern.

**ALLGEMEINE HINWEISE**

Beachten Sie die landesspezifischen Vorschriften für Zulassung/Betrieb Ihres Fahrzeugs bzw. anwendbare TÜV-Vorschriften. Lassen Sie eintragungspflichtige Teile nach Montage durch Ihre Prüfstelle in die Fahrzeugpapiere eintragen.

**VORBEREITUNG:** Lesen Sie die Anbauanleitung aufmerksam und stellen Sie sicher, dass alle Teile der Stückliste vorhanden sind. Achten Sie darauf, dass Ihr Fahrzeug sicher steht und nicht umfallen kann. Schalten Sie den Motor ab und ziehen Sie den Zündschlüssel. Lassen Sie ggf. den Motor/Auspuff abkühlen. Klemmen Sie bei Arbeiten an der Elektrik die Fahrzeugbatterie ab. Verwenden Sie geeignetes Werkzeug. Lassen Sie sich von einer zweiten Person helfen.

**MONTAGE:** Alle vom Motorrad gelösten Teile und Verbindungen sind gemäß den Fahrzeugherstellereangaben wieder zu montieren oder durch die von SW-MOTECH gelieferten Teile zu ersetzen. Sichern Sie, falls nicht anderweitig definiert, alle Gewinde mit mittelfester, flüssiger Schraubensicherung.

**Alle nicht durch SW-MOTECH definierten Anzugsmoment-Vorgaben müssen beim Fahrzeughersteller oder einer Fachwerkstatt erfragt werden!**

**FUNKTIONSKONTROLLE:** Stellen Sie nach der Montage sicher, dass alle zuvor gelösten Teile und Verbindungen wieder ordnungsgemäß montiert wurden. Achten Sie außerdem auf die uneingeschränkte Freigängigkeit und einwandfreie Funktion sämtlicher Fahrzeugteile. Kabel, Züge und Schläuche dürfen nicht scheuern und/oder geklemmt werden. Führen Sie vor Fahrtbeginn eine umfassende Funktionskontrolle durch. Überprüfen Sie nach den ersten 50 km und anschließend in regelmäßigen Abständen das Anzugsmoment aller Schraubverbindungen und den ordnungsgemäßen Sitz des Produkts.

**ENGLISH** - Thank you for choosing this premium product from SW-MOTECH. Please visit our webshop for additional information, such as application charts and PDF mounting instructions. Any other documents that may be required (e.g. ABE certifications), are also available for download at our webshop.

Installation and/or maintenance of this product require good technical understanding! For your own safety SW-MOTECH recommends having installation and/or servicing carried out by a specialist workshop! SW-MOTECH assumes no liability for damage caused by improper installation and/or maintenance work!

Carefully follow all the directions given in the mounting instructions and pay attention to all relevant information in the vehicle manual during assembly. Nonconformance can lead to vehicle damage or even endanger the driver! These mounting instructions are written based on our current state of knowledge. Legal requirements for accuracy do not exist.

This product was developed for vehicles in their factory setting. Compatibility with original accessory parts or other manufacturers' accessory parts is not guaranteed. Furthermore, BEFORE installing this product, make sure that all moving parts (e.g. the chain) are in the original state of maintenance. Installed accessories can change the driving behaviour and/or stability of your vehicle.

**GENERAL INFORMATION**

Observe the country-specific regulations concerning vehicle registration/operation as well as TÜV regulations if applicable. If required, register installed parts in the vehicle documents through an appropriate inspection authority.

**PREPARATION:** Read the mounting instructions carefully and make sure that all items of the parts list are included. Make sure that your vehicle is parked safely and cannot fall over. Turn off the engine and remove the ignition key. Let the motor/exhaust cool off if necessary. Disconnect the vehicle battery when working on the electrical system. Use appropriate tools. Have another person to help you.

**MOUNTING:** All parts and connections removed from the vehicle must be reinstalled in accordance with the vehicle manufacturers' specifications or replaced by parts delivered by SW-MOTECH. Secure all threads, unless otherwise specified, with medium-strength liquid thread locker.

**Torque specifications undefined by SW-MOTECH must be obtained from the vehicle manufacturer or by a specialist workshop!**

**FUNCTION CHECK:** After installation make sure that all parts and connections previously removed are properly replaced. Also make sure that no moving parts are obstructed and no function of the vehicle is hindered in any way. Cables and hoses must not rub and/or be pinched. Before starting to ride, perform a comprehensive check of all functions. After the first 50 km and then at regular intervals, check the tightening torque of all screw connections and the proper fit of the product.

Konfektionierung durch / Packed by:

Datum der Konfektionierung / Date of packaging:



**SW-MOTECH GmbH & Co. KG**

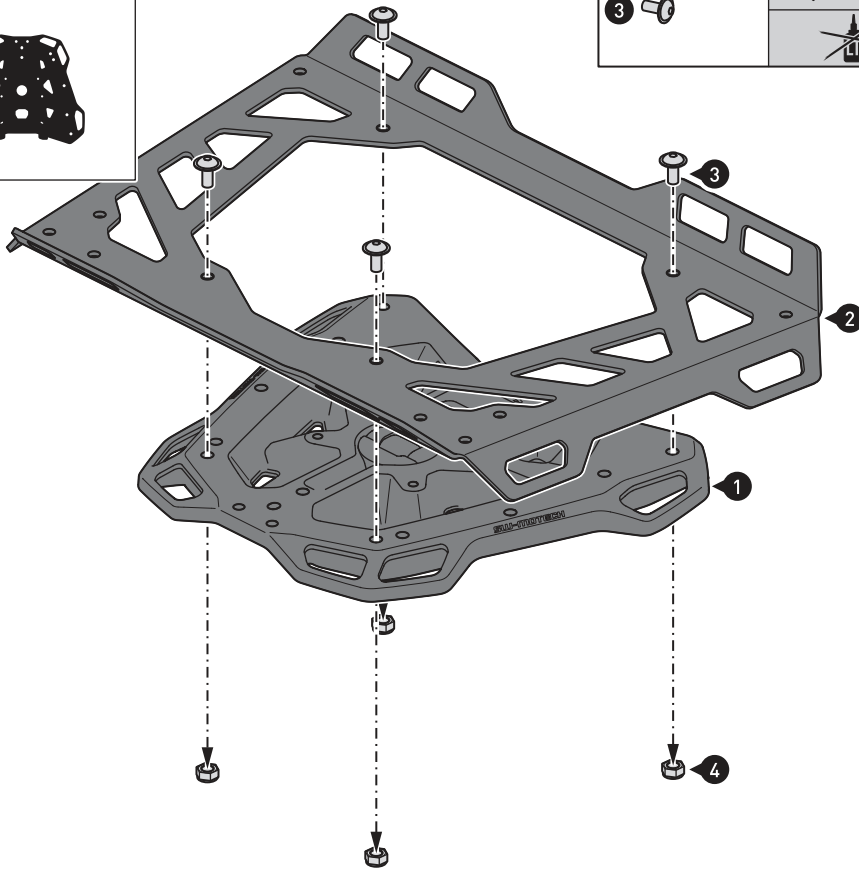
Ernteweg 8/10  
35282 Rauschenberg  
Germany

Tel. / phone + 49 (0)6425 / 8168 - 050  
Fax / fax + 49 (0)6425 / 8168 - 10

**info@sw-motech.com**  
**www.sw-motech.com**



Adapterplatte für STREET-RACK  
Adapter plate for STREET-RACK

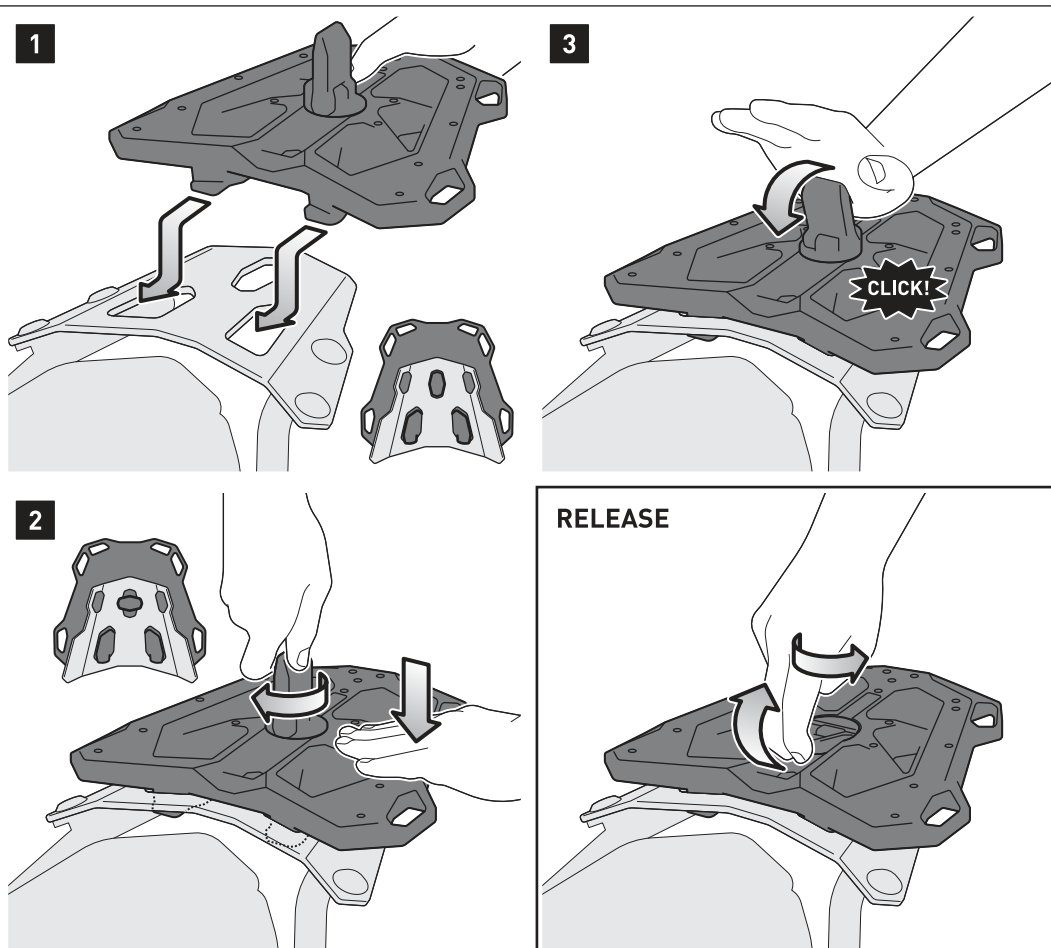


**Adapterplatte für STREET-RACK  
Gepäckträger**

Verschrauben Sie die gezeigten Teile an der Adapterplatte für STREET-RACK Gepäckträger (1). Ziehen Sie die Schrauben wie in der Stückliste vorgegeben an.

**Adapter plate for STREET-RACK**

Attach the shown parts to the adapter plate for STREET-RACK (1). Tighten the screws as specified in the parts list.



**Befestigung der Adapterplatte auf dem STREET-RACK Gepäckträger.**

**Schritt [1]:** Schieben Sie die Adapterplatte (1) mit den beiden Haken in die Öffnungen Ihres STREET-RACK Gepäckträgers (separat erhältlich).

**Schritt [2]:** Drücken Sie die Adapterplatte (1) leicht nach unten und drehen Sie den Spannverschluss um 90 Grad, bis dieser einrastet.

**Schritt [3]:** Drücken Sie abschließend den Spannverschluss fest nach unten, wie in der Zeichnung gezeigt.

Ziehen Sie zum **Lösen** der Adapterplatte einfach den Spannverschluss nach oben und drehen ihn in die Ausgangsposition.

**Mounting the adapter plate on the STREET-RACK.**

**Step [1]:** Slide the adapter plate (1) with the two hooks into the holes of your STREET-RACK (sold separately).

**Step [2]:** Press the adapter plate (1) slightly downwards and turn the fastener 90 degrees until it fits into place.


**Step [3]:** Finally, press the lock firmly down as shown in the drawing.

To **release** the adapter plate, simply pull the fastener upwards and turn it to the starting position.

Item number: BC.HTA.00.305.30000

Revision: 01 · Date: 08 - 2025

## PRO Rackpack tail bag

 ~ 0.25 h.

 EASY      DIFFICULT


**ENGLISH** Thank you for choosing this premium product from SW-MOTECH. Visit our online shop for more information (e.g. model assignments). Required documents (e.g. national type approval) are available there for you to download.


Please read and understand all the instructions, safety information and warnings in these mounting instructions before mounting and using the product in order to avoid injury and damage. Keep these mounting instructions for reference.


This product was developed for vehicles in factory condition. Compatibility with original accessories or accessories from other manufacturers cannot be guaranteed.


These mounting instructions have been prepared to the best of our current knowledge. No legal claims relating to accuracy can be made. Errors and omissions excepted. We reserve the right to make technical and design changes. The copyright is held by SW-MOTECH.


### SAFETY WARNING SYMBOL

 This warning symbol is used in these mounting instructions to warn of deadly dangers, injuries or other hazards. The words **DANGER**, **WARNING** or **CAUTION** are used as part of this warning symbol to convey important safety messages and information relating to the installation and use of this product. These words, together with the safety warning symbol, mean:


 **DANGER:** Indicates a hazardous situation which, if not avoided, will result in death or serious injury!


 **WARNING:** Indicates a hazardous situation which, if not avoided, may result in death or serious injury!

 **CAUTION:** Indicates a hazardous situation which, if not avoided, may result in minor or moderate injury!


 **NOTE:** Important information, but not relating to a risk of death or injury (property damage only)!

### GENERAL INFORMATION


 **WARNING:** Assembly and/or maintenance of this product requires advanced technical skill, appropriate tools, and a good understanding of tool usage and torque specifications. For your own safety, SW-MOTECH recommends having the assembly and/or maintenance carried out by a qualified and certified motorcycle workshop.


 **WARNING:** If you do choose to assemble this product yourself, carefully and fully read the mounting instructions before assembly and use, and follow all instructions to avoid serious injury or death. Also observe all relevant information in the vehicle manual when mounting or using the product. IF YOU DO NOT UNDERSTAND ANY PART OF THESE MOUNTING INSTRUCTIONS OR NEED AN EXPLANATION AS TO A SPECIFIC INSTRUCTION, DO NOT ATTEMPT TO INSTALL THIS PRODUCT WITHOUT CONSULTING SW-MOTECH FOR ASSISTANCE!

**PREPARATION:** Read the mounting instructions carefully and make sure that all parts on the parts list are available.


 **CAUTION:** Ensure that your vehicle is standing securely. Switch off the engine and remove the ignition key. Allow the engine/exhaust to cool down if necessary. Disconnect the battery when working on the electrical system. Only use proper tools and always wear safety goggles and gloves during assembly and maintenance. Have a second person help you with assembly and maintenance.

**ASSEMBLY:** All parts and connections removed from the vehicle must be reinstalled according to the vehicle manufacturer's specifications or replaced with parts and hardware supplied by SW-MOTECH.

 **WARNING:** Secure all threads with a medium-strength liquid threadlocker, unless otherwise specified.

 **DANGER:** Tightening torques not defined by SW-MOTECH must be obtained from the vehicle manufacturer or a certified motorbike workshop.

**FUNCTIONAL CHECK:** After mounting the product, ensure that no moving parts are obstructed and that the function of the vehicle is not impeded. Cables and hoses must not rub against each other and/or be hindered in any way.

 **WARNING:** Carry out a comprehensive functionality check before you start to drive. Check the tightening torque of all connections and the tight fit of the product after the first 50 km and then at regular intervals. Mounted accessories can change the handling and stability of the vehicle.



SW-MOTECH GmbH & Co. KG  
Ernteweg 7-10  
35282 Rauschenberg  
Germany



[info@sw-motech.com](mailto:info@sw-motech.com)  
[www.sw-motech.com](http://www.sw-motech.com)



Take note of the symbols and what they mean in the ASSEMBLY section. If the term OEM appears in the ASSEMBLY section, the vehicle manufacturer's specifications must be observed and applied.



If you have any questions, please don't hesitate to contact our Customer Service team or our distributors. You can find our telephone number and a list of our distributors in our online shop:

**[www.sw-motech.com](http://www.sw-motech.com)**

**PARTS LIST - READ AND KEEP MOUNTING INSTRUCTIONS!**

**1**

**1**



LSF.350.250

 1/1

**2**



BC.HTA.00.305.30000

 1/1

**2**

**3**



BC.ZUB.00.128.30000

 1/1

**5**

**4**



BC.ZUB.00.120.30000

 1/1

**5**



BC.ZUB.00.121.30000

 1/1

**6**

**6**



BC.ZUB.00.122.30000

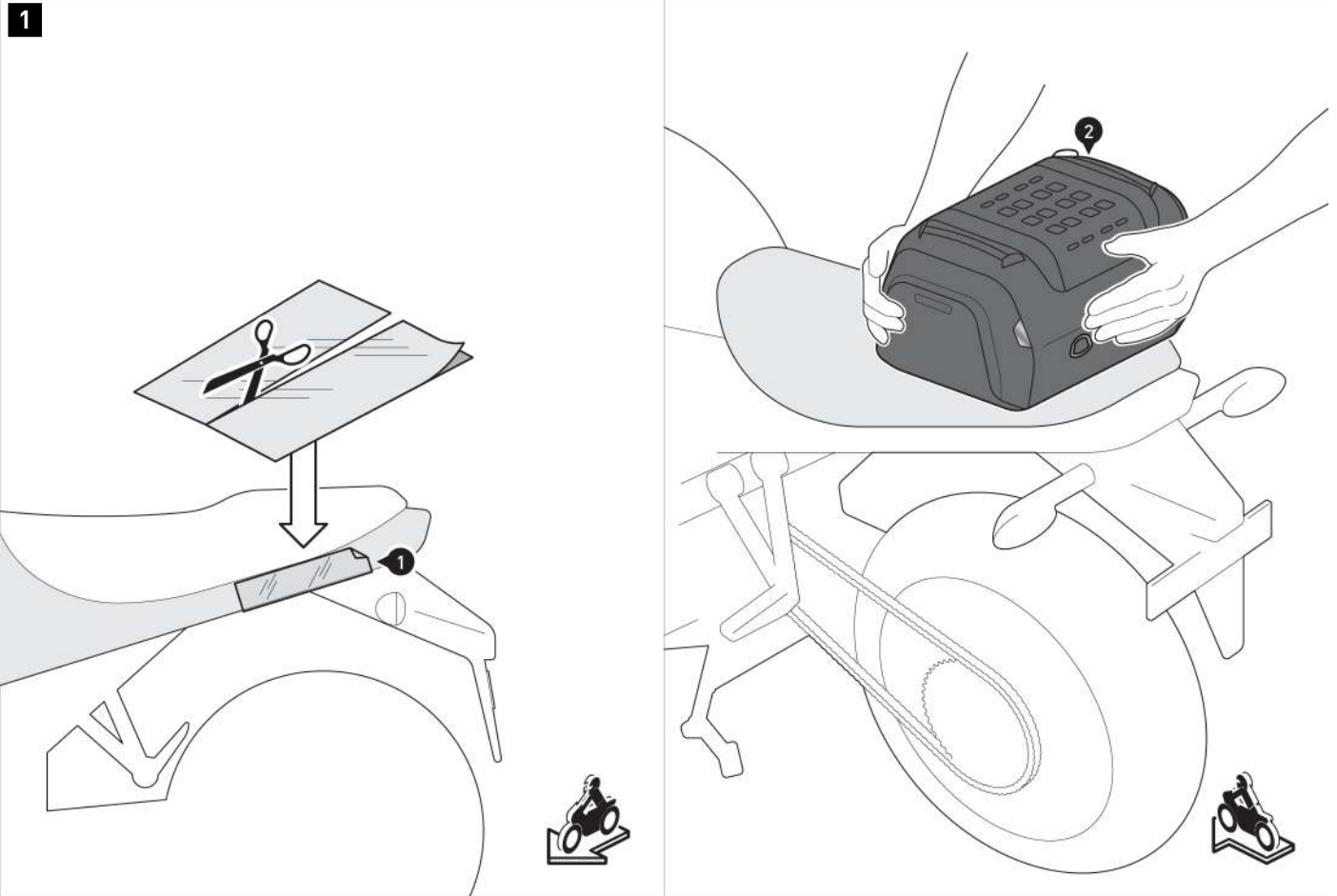
 1/1

**7**



BC.ZUB.00.041.30000

 1/1



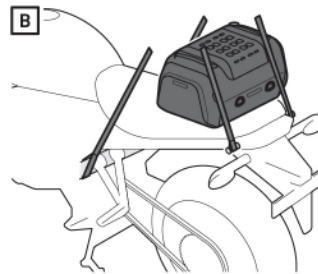
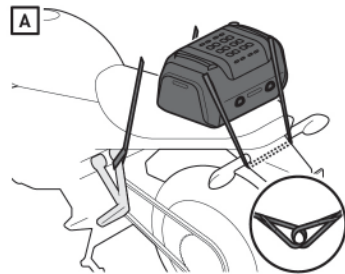
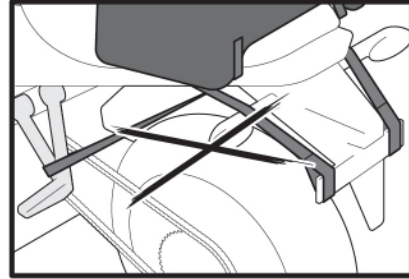
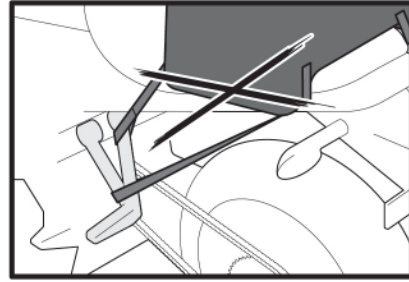
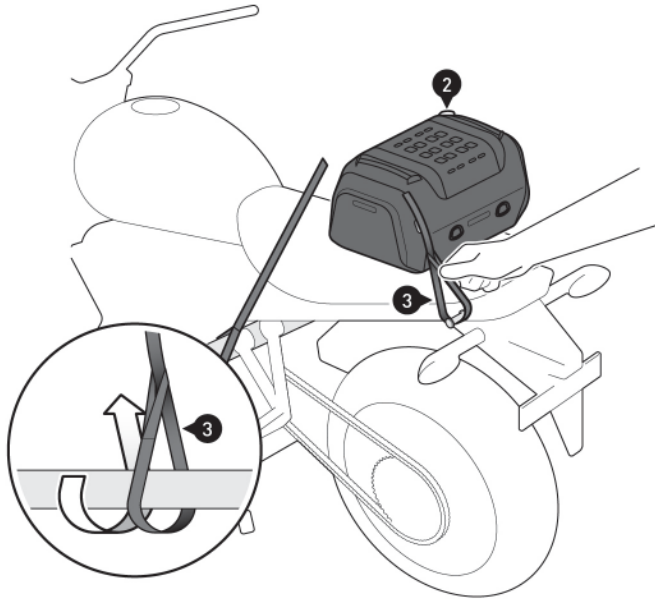
- ▲ **WARNING: Always wear eye and hand protection!**
- ▲ **WARNING: Always use suitable tools!**

Thoroughly clean the bonding surface to remove grease and dirt residues. Apply the protective adhesive foil (1) to **BOTH SIDES** of the tail bag (2).

Then position the tail bag (2).



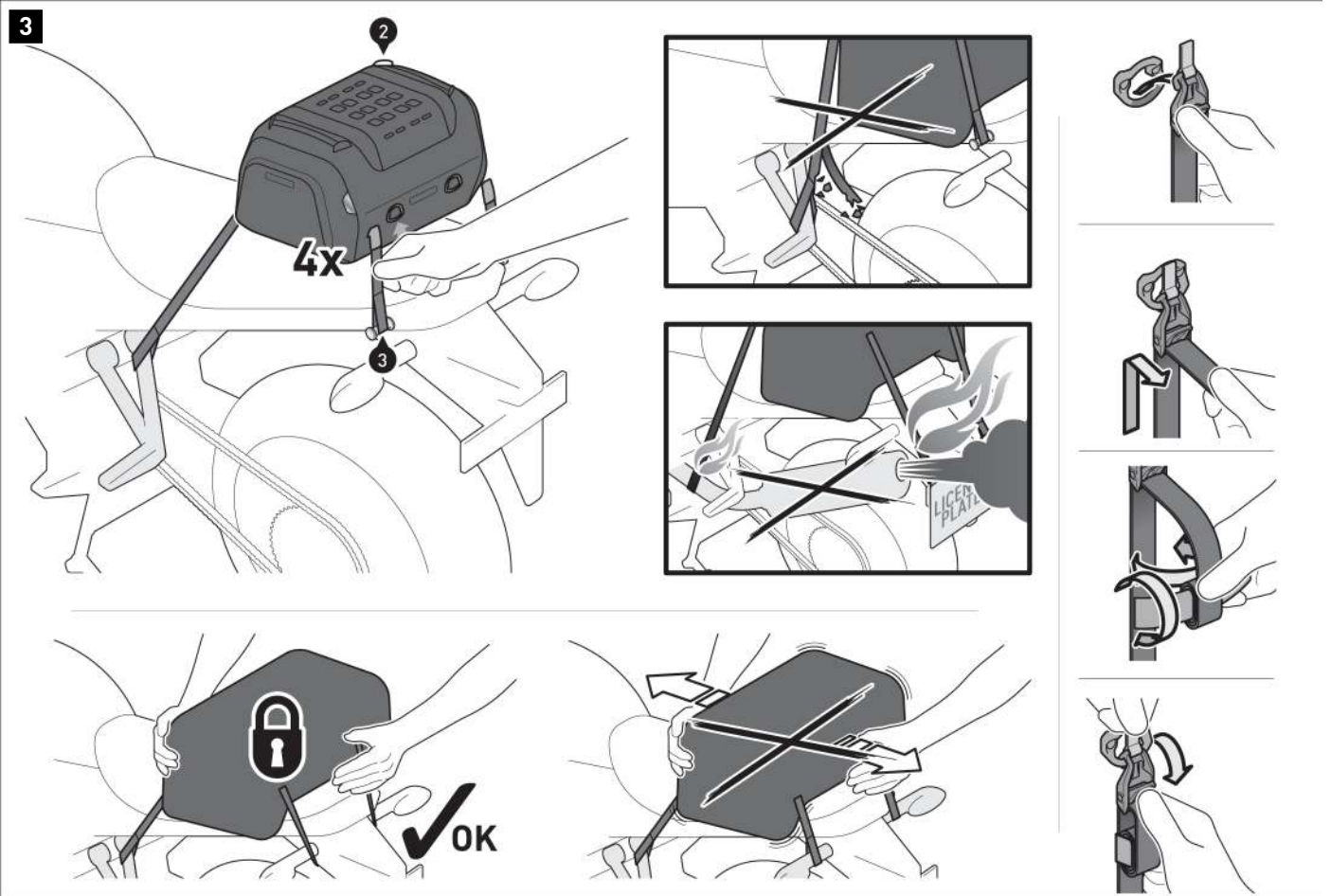
2



Loop the fastening straps (3) to **FOUR** suitable and strong fastening points on the bike (e.g. footrest mount, vehicle frame, luggage hook). See examples [A] and [B].

**▲ WARNING:** The attachment points must be selected so that the bag (2) is secured against slipping. To do this, tension the tail bag (2) forwards at the two front fastening points and backwards at the two rear fastening points.

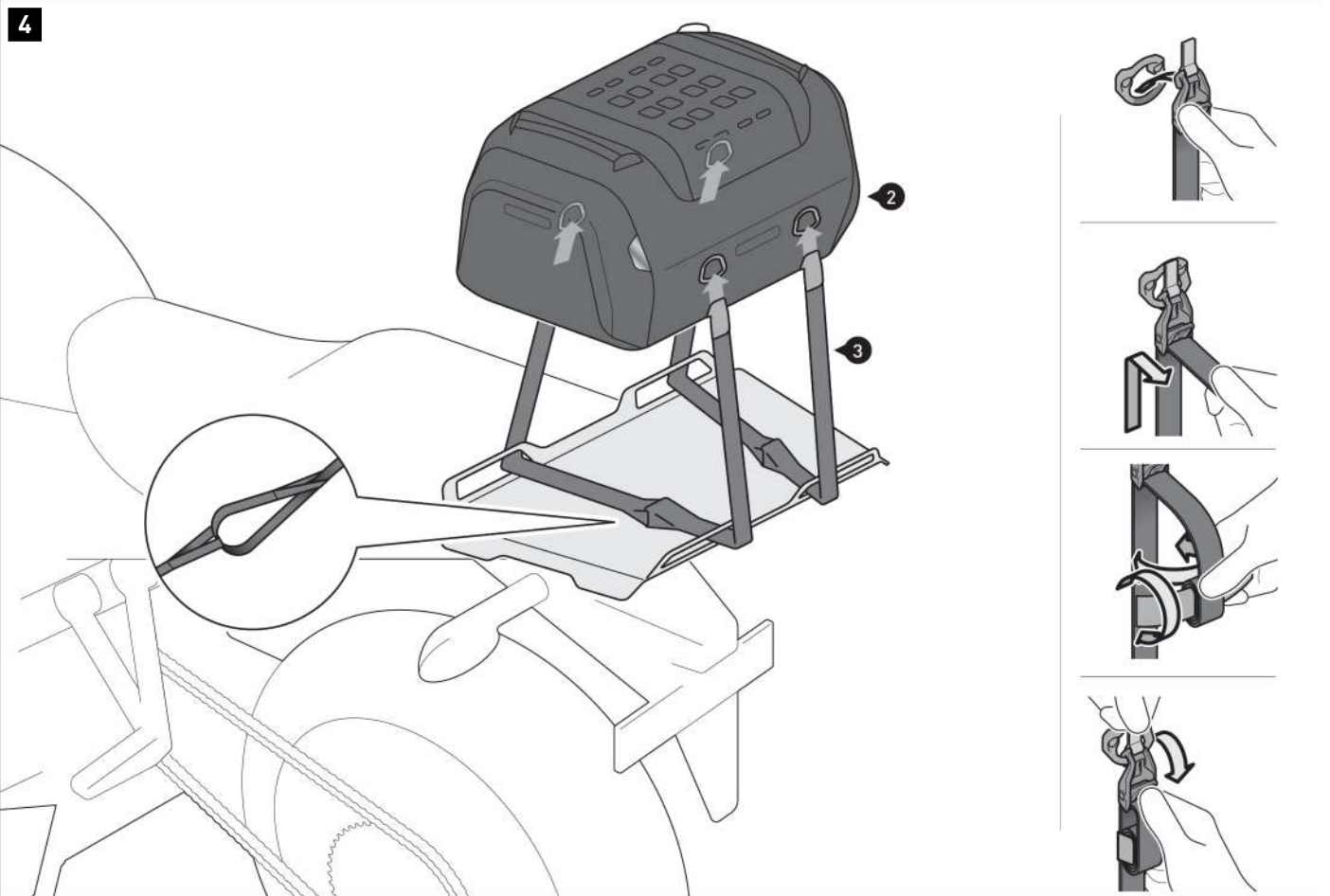




Hook the lashing hooks on the **FOUR** loop straps (3) onto the tail bag's (2) lashing eyelets.  
Tighten the loop straps (3) on all four lashing hooks until the tail bag (2) is centred and firmly attached to the bike.  
Roll up the excess length of the fastening straps (3), and secure them with the Velcro strips.

**▲ WARNING:** Make sure that no components of the tail bag come into contact with hot and moving parts of the vehicle.  
Also ensure that all components are at least 5 cm away from hot parts as well as from the hot exhaust stream of the exhaust system.  
After installation, make sure that this distance is maintained in every suspension condition of the vehicle.

**▲ WARNING:** Check that the tail bag (2) is firmly seated before setting off and at every rest stop (around every 200 km).



**MOUNTING ON THE LUGGAGE RACK EXTENSION**

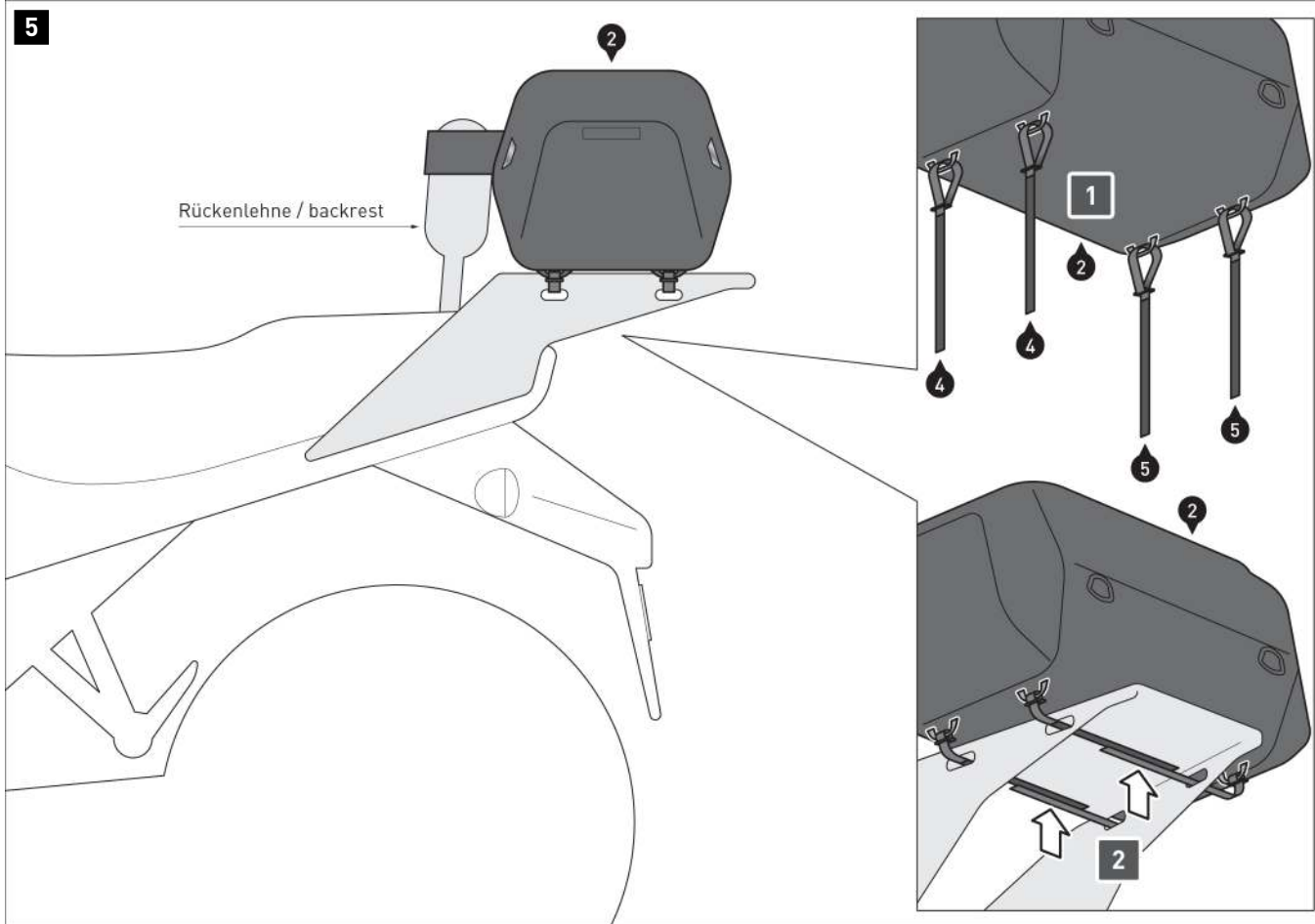
Interloop two strap loops (3) with each other.

Guide the loop straps (3) through the openings shown on the example luggage carrier extension.

Hook the lashing hooks of the loop straps (3) onto the lashing eyes of the tail bag (2).

Tighten the loop straps (3) on all four lashing hooks.

Roll up the excess length of the loop straps (3), and secure them with Velcro strips.



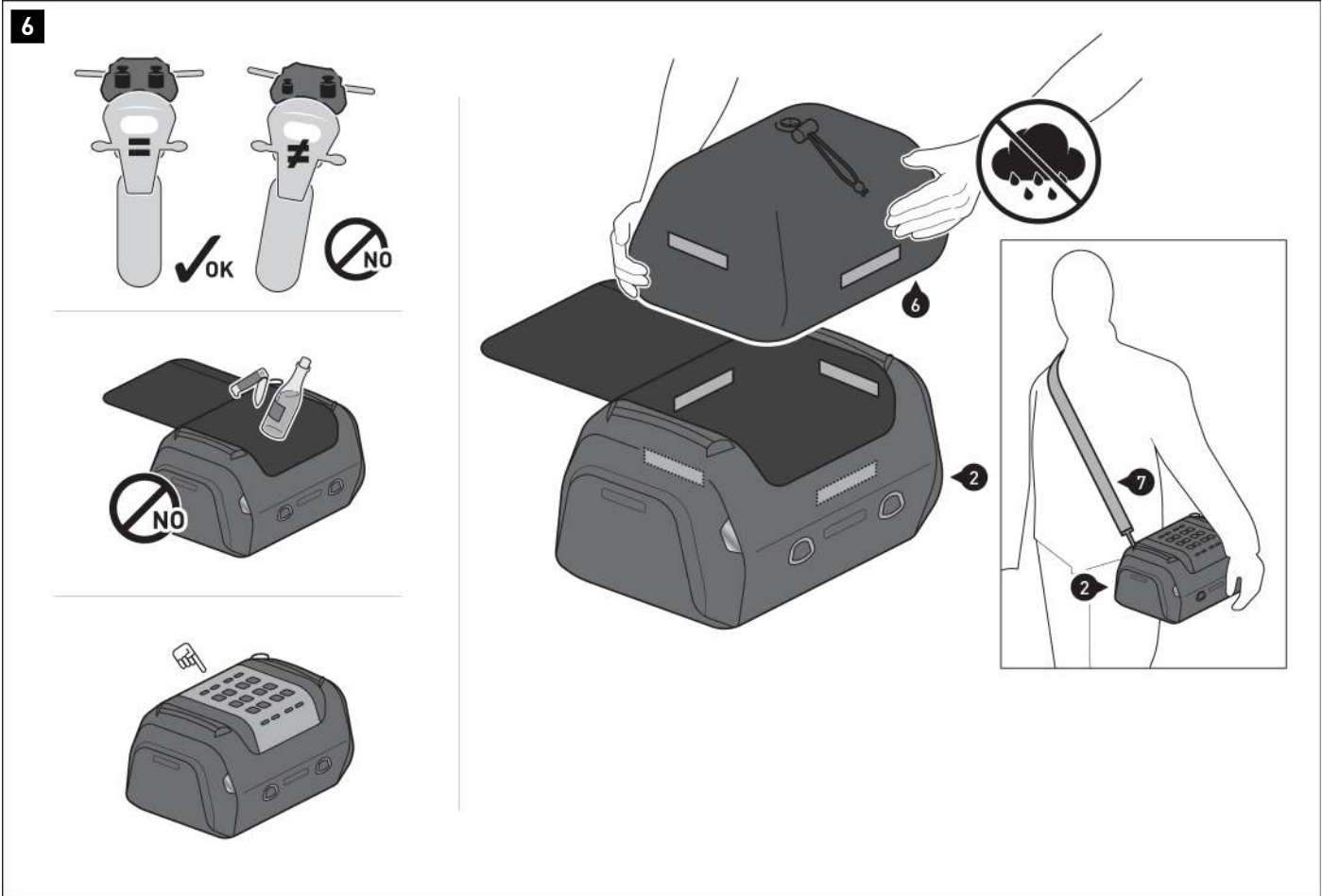
**MOUNTING ON THE LUGGAGE RACK**

Attach the Velcro straps (4) and (5) to the loops at the bottom of the tail bag (2). Make sure that the loop and hook sides can be easily attached. Place the tail bag on the luggage rack.

Fix the tail bag (2) to the luggage rack using the Velcro straps (4) and (5). Make sure that the tail bag (2) is attached in such a way that it cannot slip while riding.

**⚠ NOTE:** The Velcro strap sewn on the front can be looped around the backrest for additional support.





**LOADING**

**⚠ NOTE:** Ensure that the load is evenly distributed! Make sure that the load is secured against slipping while riding.

**⚠ NOTE:** Make sure that you never store sharp-edged, pointed, or similar objects that could cause injury to persons or damage to the bike or the tail bag.

**⚠ NOTE:** Always use the enclosed waterproof inner bag (6) to protect your luggage from moisture.

**⚠ NOTE:** Attach only the designated SW-MOTECH products to the MOLLE system.

Attach the waterproof inner bag (6) to the Velcro strips on the inside.

Additionally protect sensitive luggage (e.g. electronic devices) from moisture with a plastic bag.

**⚠ WARNING: Maximum load is 10 kg.**



7



#### CARE

For cleaning, use **ONLY** a soft textile brush, a cloth or a sponge and warm soapy water! Then rinse with clean water.

**DO NOT** use harsh cleaning agents, abrasive cleaning utensils or high-pressure cleaners! Be sure to clean the tail bag after winter rides to avoid damage caused by salt.

**⚠ NOTE:** Surface materials may be damaged by prolonged and intensive solar radiation and environmental influences (e.g. smog, acid rain) Subject to colour changes (fading). SW-MOTECH assumes no liability for this.

PRODUCT-SPECIFIC NOTES

**⚠ NOTE:** Observe the country-specific regulations for the registration/operation of your vehicle and any applicable TÜV regulations. Have any parts requiring registration entered in the vehicle documents by your inspection centre after they have been installed.

**⚠ DANGER:** Since this is a universal product, please be sure to check that the product can be properly and correctly attached to and used on your vehicle model before using it for the first time! After mounting, check that all vehicle components are unobstructed and can function properly! Lights such as taillights and turn light indicators must not be impeded in their function! Cables, wires, and hoses should not rub and/or squeeze against anything!

**⚠ DANGER:** Carry out a comprehensive check to ensure everything functions properly before departure!

**⚠ DANGER:** Ensure that the product is properly positioned before departure and at every rest stop (every 200 km)!

**⚠ DANGER:** The driving/braking behavior of the motorcycle changes noticeably after mounting this product!

**⚠ DANGER:** Lean angle and ground clearance may be restricted by this product!

**⚠ DANGER:** The maximum vehicle load specified by the vehicle manufacturer remains applicable!

	see LOAD		≤ 130km/h (≤ 80mph)
---	----------	---	---------------------

Art.-Nr. / Item No.: **BC.HTA.00.305.3000\***

Revision: **00** · Datum / Date: **09 - 2020**

**PRO Rackpack Hecktasche**

**PRO Rackpack tail bag**

**DEUTSCH** - Vielen Dank, dass Sie sich für dieses Premium-Produkt von SW-MOTECH entschieden haben. Bitte besuchen Sie unseren Webshop für weitere Informationen wie Modellzuweisungen und PDF-Anbauanleitung. Erforderliche Dokumente (z. B. ABE) stehen als Download zur Verfügung.

Die Montage und/oder Wartung dieses Produkts erfordert ein gutes technisches Verständnis! Zu Ihrer eigenen Sicherheit empfiehlt SW-MOTECH, die Montage und/oder Wartung durch eine Fachwerkstatt durchführen zu lassen! SW-MOTECH übernimmt keine Haftung für Schäden, die durch eine unsachgemäße Montage und/oder Wartung verursacht wurden!

Beachten Sie alle in der Anbauanleitung angegebenen Hinweise und die für die Montage relevanten Informationen im Fahrzeughandbuch. Nichtbeachtung kann zu Schäden am Fahrzeug bzw. zur Gefährdung des Fahrers führen! Diese Anbauanleitung ist nach unserem derzeitigen Kenntnisstand verfasst worden. Rechtliche Ansprüche auf Richtigkeit bestehen nicht.

Dieses Produkt wurde für Fahrzeuge im Werkzustand entwickelt. Die Kompatibilität mit Original-Zubehörteilen bzw. den Zubehörteilen anderer Hersteller kann nicht gewährleistet werden. Stellen Sie des Weiteren VOR Montage dieses Produkts sicher, dass sich alle beweglichen Teile (z. B. die Kette) im ursprünglichen Wartungszustand befinden. Montiertes Zubehör kann das Fahrverhalten und/oder die Stabilität Ihres Fahrzeugs verändern.

**ALLGEMEINE HINWEISE**

Beachten Sie die landesspezifischen Vorschriften für Zulassung/Betrieb Ihres Fahrzeugs bzw. anwendbare TÜV-Vorschriften. Lassen Sie eintragungspflichtige Teile nach Montage durch Ihre Prüfstelle in die Fahrzeugpapiere eintragen.

**VORBEREITUNG:** Lesen Sie die Anbauanleitung aufmerksam und stellen Sie sicher, dass alle Teile der Stückliste vorhanden sind. Achten Sie darauf, dass Ihr Fahrzeug sicher steht und nicht umfallen kann. Schalten Sie den Motor ab und ziehen Sie den Zündschlüssel. Lassen Sie ggf. den Motor/Auspuff abkühlen. Klemmen Sie bei Arbeiten an der Elektrik die Fahrzeugbatterie ab. Verwenden Sie geeignetes Werkzeug. Lassen Sie sich von einer zweiten Person helfen.

**FUNKTIONSKONTROLLE:** Da es sich um ein universelles Produkt handelt, stellen Sie unbedingt VOR der ersten Nutzung sicher, dass sich das Produkt ohne Probleme und sachgerecht an Ihrem Fahrzeugtyp befestigen und verwenden lässt. Prüfen Sie nach der Befestigung die uneingeschränkte Freigängigkeit und einwandfreie Funktion aller Fahrzeugteile. Leuchtmittel wie Rücklicht und Blinker dürfen nicht in ihrer Funktion eingeschränkt werden. Kabel, Züge und Schläuche dürfen nicht scheuern und/oder geklemmt werden. Führen Sie vor Fahrtbeginn eine umfassende Funktionskontrolle durch. Stellen Sie sicher, dass keine Komponente des Produkts mit heißen und beweglichen Teilen des Fahrzeugs in Berührung kommen kann. Achten Sie darauf, dass alle Komponenten mindestens 5 cm Abstand zu heißen Teilen sowie dem heißen Abgasstrom des Auspuffs haben. Federn Sie zu diesem Zweck nach der Montage das Fahrzeug mehrere Male im Stand voll durch. **ACHTUNG:** Überprüfen Sie vor Fahrtbeginn und bei jeder Rast (alle 200 km) den ordnungsgemäßen Sitz des Produkts!

**PRODUKTSPEZIFISCHE HINWEISE**

**ACHTUNG:** Das Fahr-/Bremsverhalten des Motorrads verändert sich nach Befestigung dieses Produkts merklich! Die Schräglagen- und Bodenfreiheit kann durch dieses Produkt eingeschränkt werden!

**ACHTUNG:** Veränderungen führen zum Erlöschen der Garantie.

<b>Maximale Zuladung</b>	<b>Höchstgeschwindigkeit</b>
 <b>10 KG (22 lbs)</b>	 <b>130 km/h (80 mph)</b>

**ACHTUNG:** Es gilt die vom Fahrzeughersteller genannte maximale Zuladung des Fahrzeugs!

**ACHTUNG**   
**NICHT FÜR DEN OFFROAD-EINSATZ GEEIGNET!**

**ENGLISH** - Thank you for choosing this premium product from SW-MOTECH. Please visit our webshop for additional information, such as application charts and PDF mounting instructions. Any other documents that may be required (e.g. ABE certifications), are also available for download at our webshop.

Installation and/or maintenance of this product require good technical understanding! For your own safety SW-MOTECH recommends having installation and/or servicing carried out by a specialist workshop! SW-MOTECH assumes no liability for damage caused by improper installation and/or maintenance work!

Carefully follow all the directions given in the mounting instructions and pay attention to all relevant information in the vehicle manual during assembly. Nonconformance can lead to vehicle damage or even endanger the driver! These mounting instructions are written based on our current state of knowledge. Legal requirements for accuracy do not exist.

This product was developed for vehicles in their factory setting. Compatibility with original accessory parts or other manufacturers' accessory parts is not guaranteed. Furthermore, BEFORE installing this product, make sure that all moving parts (e.g. the chain) are in the original state of maintenance. Installed accessories can change the driving behaviour and/or stability of your vehicle.

**GENERAL INFORMATION**

Observe the country-specific regulations concerning vehicle registration/operation as well as TÜV regulations if applicable. If required, register installed parts in the vehicle documents through an appropriate inspection authority.

**PREPARATION:** Read the mounting instructions carefully and make sure that all items of the parts list are included. Make sure that your vehicle is parked safely and cannot fall over. Turn off the engine and remove the ignition key. Let the motor/exhaust cool off if necessary. Disconnect the vehicle battery when working on the electrical system. Use appropriate tools. Have another person to help you.

**FUNCTION CHECK:** This is a universal product. For this reason make sure BEFORE the first use, that the product can be fixed properly and used without problems with your vehicle type. After fixation also make sure that no moving parts are obstructed and the function of the vehicle is not hindered in any way. Lamps as taillight and turn signals must not be limited in their function. Cables and hoses must not rub and/or be pinched. Before starting to ride, perform a comprehensive check of all functions.

All components of the product must not contact any hot or moving parts of the vehicle. All parts should also remain 5 cm away from hot parts of the vehicle and remain clear of the exhaust stream. For this reason compress the suspension fully several times with your vehicle stationary. **ATTENTION:** Before riding and at each stop (every 200 km) check proper fixation of the product!

**PRODUCT SPECIFIC INFORMATION**

**ATTENTION:** Riding with this product may affect the motorcycles driving and braking performance! Cornering and ground clearance can be reduced by using this product!

**ATTENTION:** Modifications will void any warranty.

<b>Maximum Load</b>	<b>Maximum Speed</b>
 <b>10 KG (22 lbs)</b>	 <b>130 km/h (80 mph)</b>

**ATTENTION:** The maximum vehicle load specified by the manufacturer must not be exceeded!

**ATTENTION**   
**NOT FOR OFFROAD-USE!**

Konfektionierung durch / Packed by:

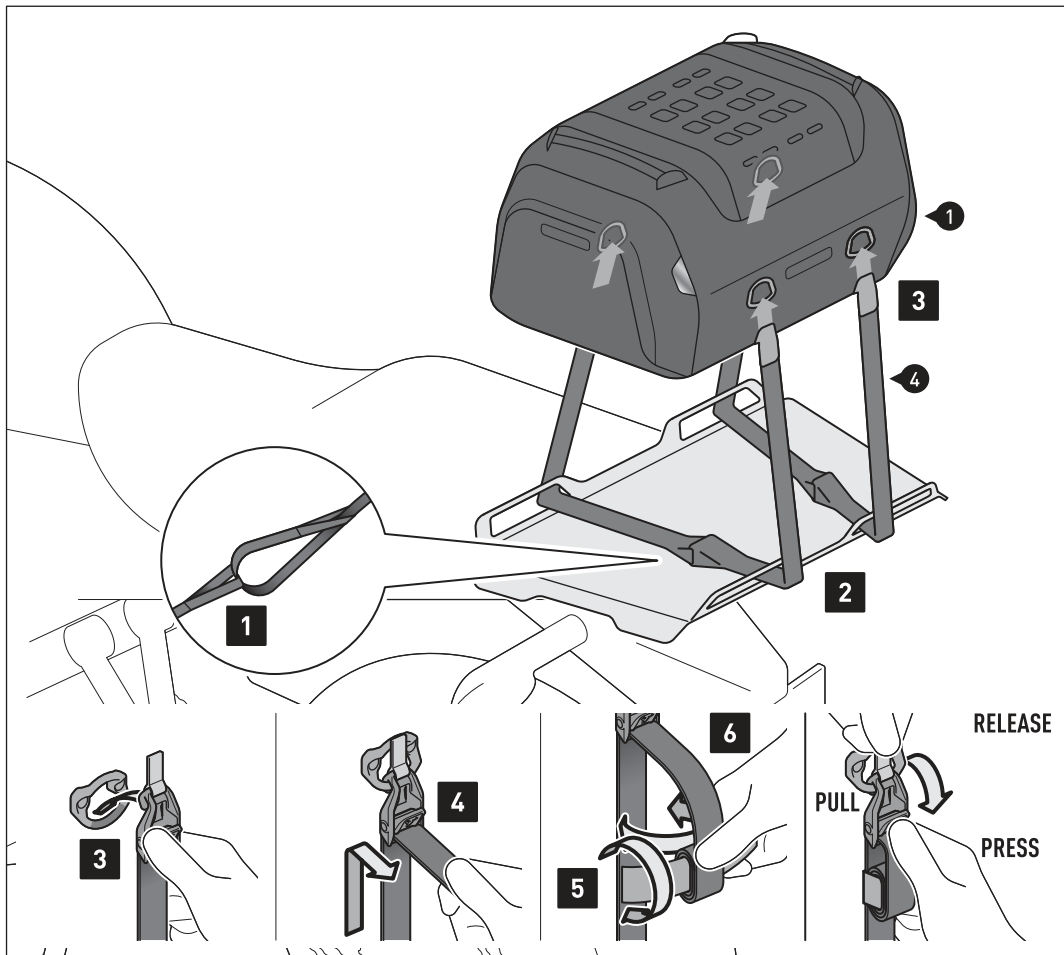
Datum der Konfektionierung / Date of packaging:



**SW-MOTECH GmbH & Co. KG**  
 Ernteweg 7-10  
 35282 Rauschenberg  
 Germany

Tel. / phone + 49 (0)6425 / 8168 - 050  
 Fax / fax + 49 (0)6425 / 8168 - 10  
**info@sw-motech.com**  
**www.sw-motech.com**





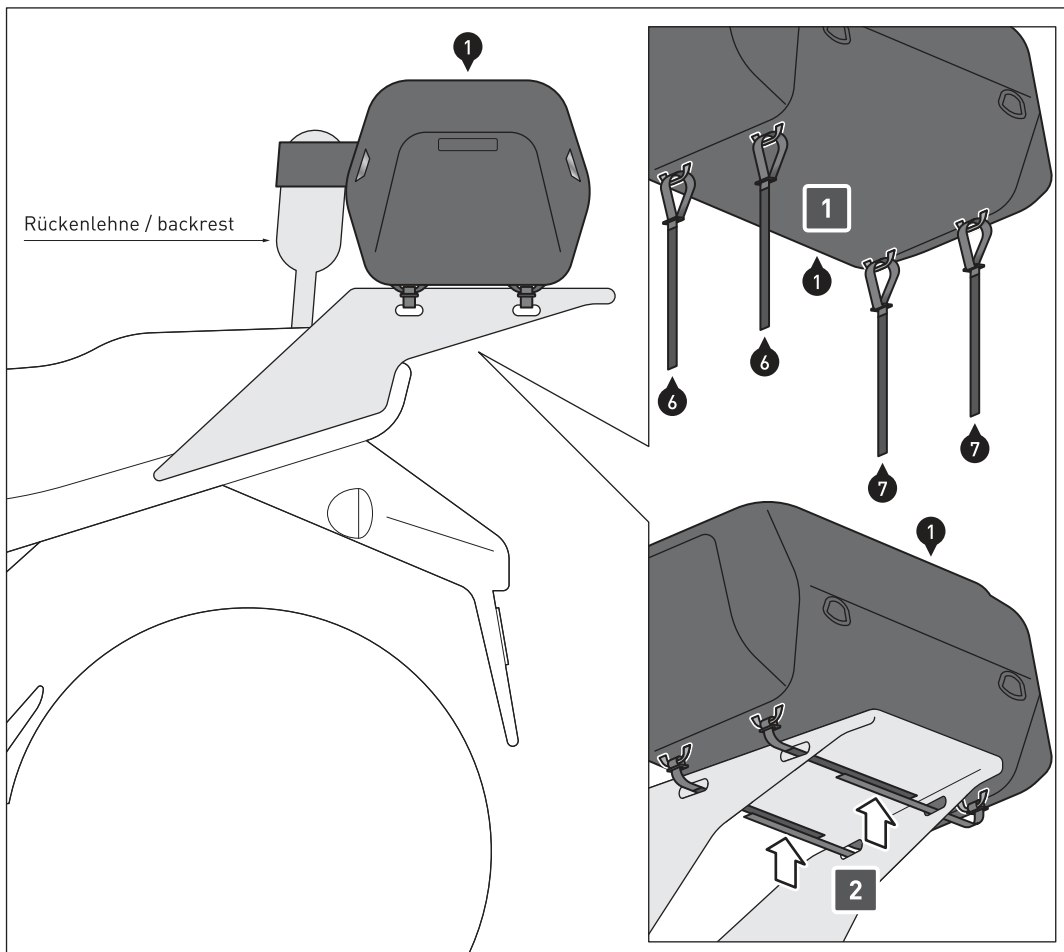
Die Gepäckträger-Erweiterung und das Fahrzeug dienen als Beispiel. / The luggage rack extension and the vehicle are examples.

**BEFESTIGUNG AUF DER GEPÄCK-TRÄGER-ERWEITERUNG**

- Schritt [1]:** Verschlaufen Sie je zwei Schlaufgurte (4) miteinander.
- Schritt [2]:** Führen Sie die Schlaufgurte (4) durch die gezeigten Öffnungen der beispielhaften Gepäckträger-Erweiterung.
- Schritt [3]:** Haken Sie die Zurrhaken der Schlaufgurte (4) an den Zurrösen der Hecktasche (1) ein.
- Schritt [4]:** Ziehen Sie die Schlaufgurte (4) an allen vier Zurrhaken stramm.
- Schritt [5]:** Rollen Sie die Überlängen der Schlaufgurte (4) auf ...
- Schritt [6]:** ... und fixieren Sie diese mit den Klettstreifen.

**FIXED ON THE LUGGAGE RACK EXTENSION**

- Step [1]:** Loop two loop straps (4) together.
- Step [2]:** Guide the loop straps (4) through the shown openings of the example luggage rack extension.
- Step [3]:** Hook the cam-hooks of the loop straps (4) onto the D-rings of the tail bag (1).
- Step [4]:** Pull the loop straps (4) on all four cam-hooks tight.
- Step [5]:** Roll up the excess lengths of the loop straps (4) ...
- Step [6]:** ... and fix it with the velcro straps.



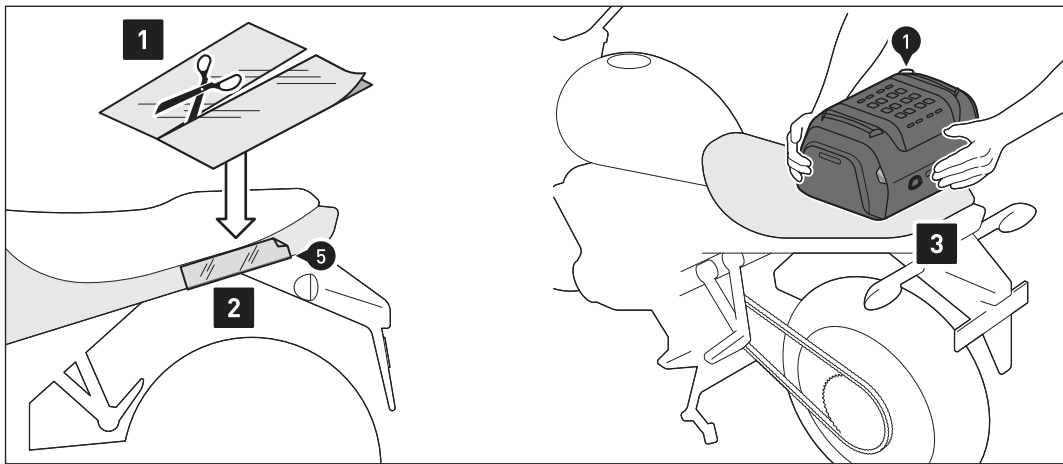
Der Gepäckträger und das Fahrzeug dienen als Beispiel. / The luggage rack and the vehicle are examples.

**BEFESTIGUNG AUF DEM GEPÄCK-TRÄGER**

- Schritt [1]:** Verschlaufen Sie die Klettgurte (6) und (7) an den unten angebrachten Schlaufen der Hecktasche (1). Achten Sie darauf, dass die Schlauf- und Hakenseiten sich problemlos verketten lassen. Platzieren Sie die Hecktasche (1) auf dem Gepäckträger.
- Schritt [2]:** Fixieren Sie die Hecktasche (1) mit den Klettgurten (6) und (7) an dem Gepäckträger. Achten Sie darauf, dass die Hecktasche (1) so befestigt wird, dass sie nicht während der Fahrt verrutschen kann.
- OPTIONAL:** Der an der Vorderseite angenähte Klettgurt kann um die Rückenlehne geschlungen werden, um zusätzlichen Halt zu schaffen.

**FASTENING TO THE LUGGAGE RACK**

- Step [1]:** Loop the velcro straps (6) and (7) onto the loop at the bottom of the tail bag (1). Make sure that the loop and hook sides can be easily attached. Place the tail bag (1) on the luggage rack.
- Step [2]:** Fasten the tail bag (1) to your luggage rack with the velcro straps (6) and (7). Make sure that the tail bag (1) is fastened in such a way that it cannot slip while driving.
- OPTIONAL:** The velcro strap sewn on the front can be looped around the backrest to provide additional support.

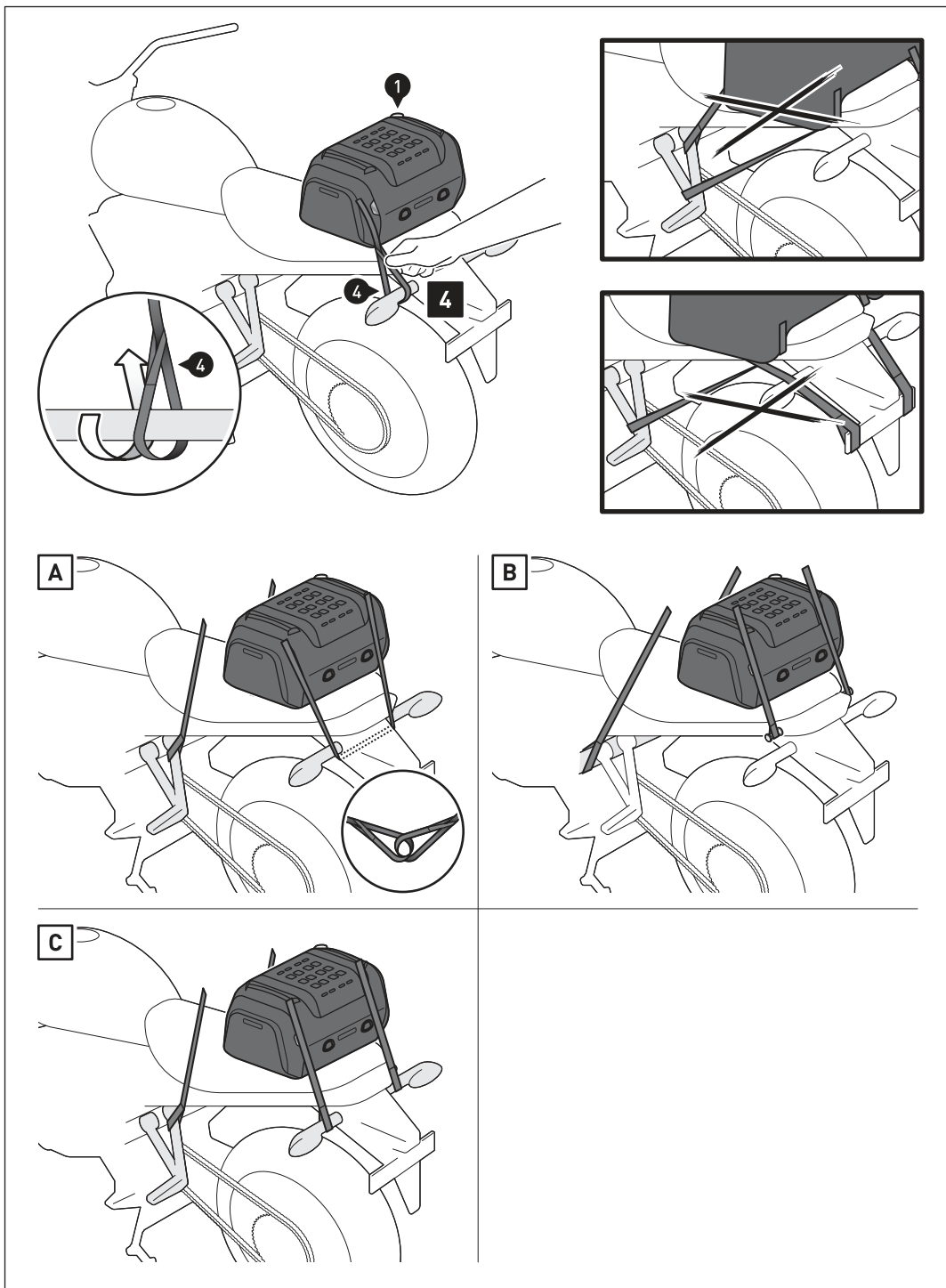


**UNIVERSELLE BEFESTIGUNG:**  
**Schritt [1] & [2]:** Bekleben Sie die Auflageflächen der Hecktasche (1) mit der Lackschutzfolie (5). Reinigen Sie die Fläche vor dem Aufkleben der Lackschutzfolie gründlich.

**Schritt [3]:** Platzieren Sie die Hecktasche (1) auf dem Heck des Fahrzeugs.

**UNIVERSAL FASTENING:**  
**Step [1] & [2]:** Cover the contact surfaces of the tail bag (1) with the protection foil (5). Clean the surface before applying the protection foil.

**Step [3]:** Place the tail bag (1) on the rear of the vehicle.

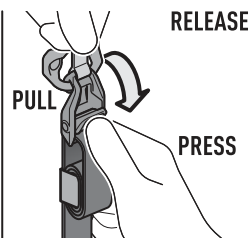
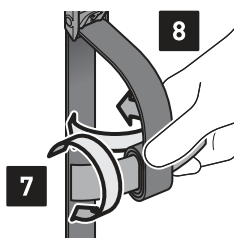
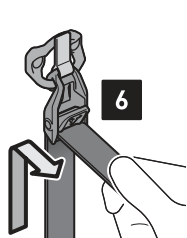
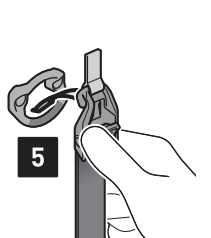
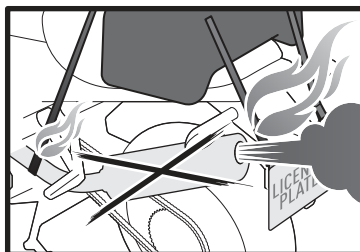
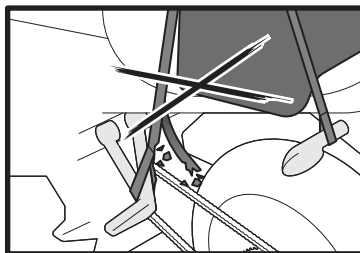
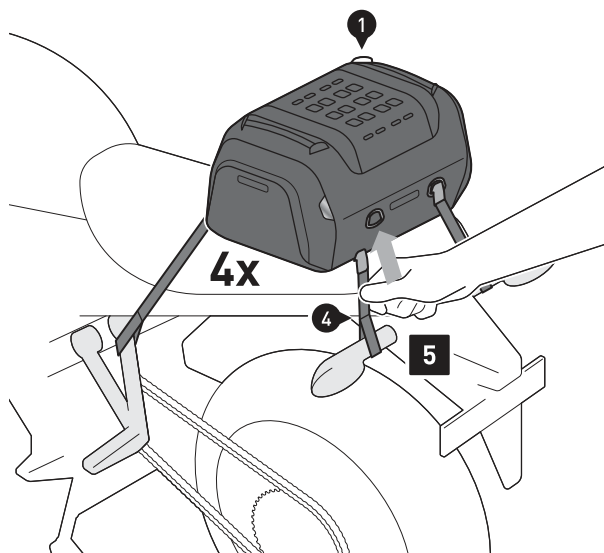


**Schritt [4]:** Verschlaufen Sie die Schlaufgurte (4) an **VIER** geeigneten und belastbaren Befestigungspunkten am Fahrzeug, wie in den Beispielzeichnungen **[A]** bis **[C]** gezeigt (z. B. Fußrastenaufnahme, Fahrzeugrahmen, Gepäckhaken etc.).

**ACHTUNG:** Die Befestigungspunkte müssen so gewählt werden, dass die Hecktasche (1) gegen Verrutschen gesichert ist! Spannen Sie dazu die Hecktasche (1) an den beiden vorderen Befestigungspunkten nach vorne ab und an den beiden hinteren Befestigungspunkten nach hinten ab!

**Step [4]:** Entangle the loop straps (4) to **FOUR** suitable and loadable fastening points to the vehicle, as shown in the example illustrations **[A]** to **[C]** (e.g. vehicles frame, footrest mounts, luggage hook etc.).  
**ATTENTION:** The fastening points must be chosen so that the tail bag (1) is secured against slipping! To do this, tension the tail bag (1) to the front at the two front fastening points and to the rear at the two rear fastening points!

Das Fahrzeug dient als Beispiel. / Example vehicle shown.



**Schritt [5]:** Haken Sie die Zurrhaken der **VI**ER Schlaufgurte (4) an den Zurrösen der Hecktasche (1) ein.

**Schritt [6]:** Ziehen Sie die Schlaufgurte (4) an allen vier Zurrhaken stramm, bis die Hecktasche (1) zentriert und fest am Fahrzeug befestigt ist.

**Schritt [7]:** Rollen Sie die Überlängen der Schlaufgurte (4) auf ...

**Schritt [8]:** ... und fixieren Sie diese mit den Klettstreifen.

**ACHTUNG:** Stellen Sie sicher, dass keine Komponente der Hecktasche mit heißen und beweglichen Teilen des Fahrzeugs in Berührung kommen kann! Achten Sie darauf, dass alle Komponenten mindestens 5 cm Abstand zu heißen Teilen sowie dem heißen Abgasstrom des Auspuffs haben!

**ALLE BEFESTIGUNGSMÖGLICHKEITEN**

**ACHTUNG:** Überprüfen Sie vor Fahrtbeginn und bei jeder Rast (alle 200 km) den ordnungsgemäßen Sitz der Hecktasche (1)!

**Step [5]:** Hook the cam-hooks of the **FOUR** loop straps (4) onto the D-rings of the tail bag (1).

**Step [6]:** Pull the loop straps (4) on all four cam-hooks tight until the tail bag (1) is centered and securely fastened to the vehicle.

**Step [7]:** Roll up the excess lengths of the loop straps (4) ...

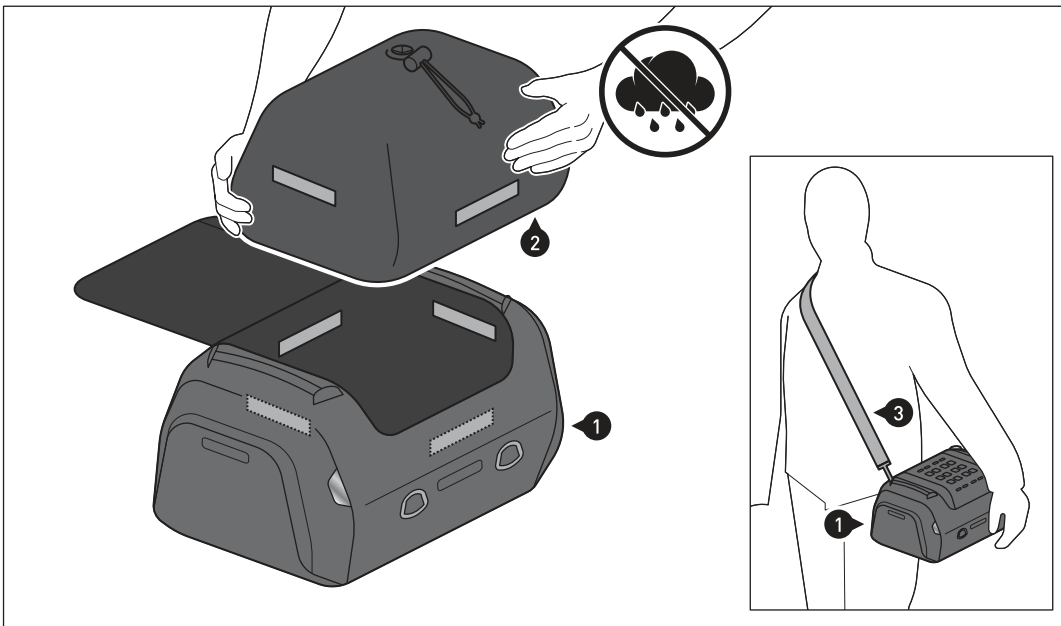
**Step [8]:** ... and fix it with the velcro straps.

**ATTENTION:** All components of the tail bag must not contact any hot or moving parts of the vehicle. All parts should also remain 5 cm away from hot parts of the vehicle and remain clear of the exhaust stream.

**ALL FASTENING POSSIBILITIES**

**ATTENTION:** Before riding and at each stop (every 200 km) check the proper fixation of the tail bag (1)!

Das Fahrzeug dient als Beispiel. / Example vehicle shown.



**ACHTUNG:** Verwenden Sie immer die beiliegende wasserdichte Innentasche (2), um Ihr Gepäck vor Feuchtigkeit zu schützen!

Verketten Sie die wasserdichte Innentasche (2) innenseitig an dem Klettverschluss. Schützen Sie empfindliches Gepäck (z. B. elektronische Geräte) zusätzlich mit einer Plastiktüte vor Feuchtigkeit.

**ATTENTION:** Always use the included waterproof inner bag (2) to protect your luggage from moisture!

Fasten the waterproof inner bag (2) to the velcro patch on the inside. Additionally protect sensitive luggage (e.g., electronic equipment) from moisture with a plastic bag.



**ACHTUNG:** Achten Sie auf die gleichmäßige Verteilung der Ladung! Stellen Sie sicher, dass die Ladung während der Fahrt gegen Verrutschen gesichert ist!

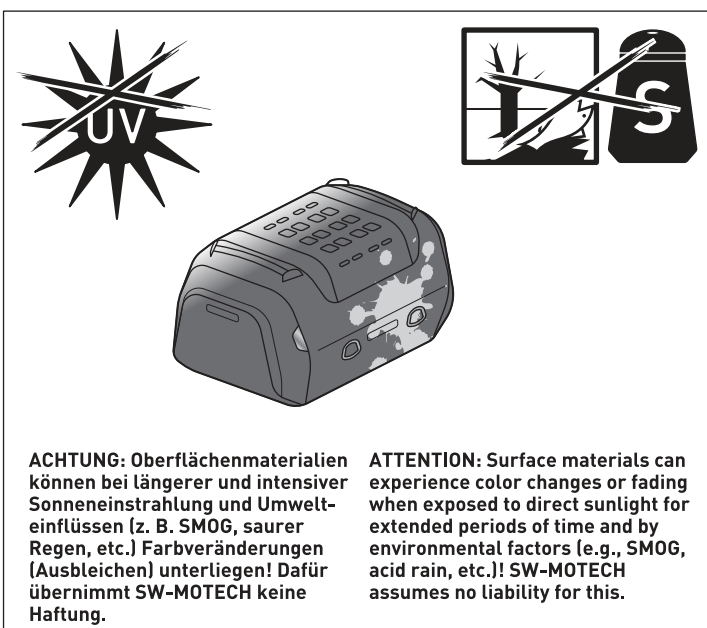
**ATTENTION:** Make sure weight is evenly distributed! Make sure that the loading is secured against shifting during the ride!



**BELADUNG:** Achten Sie darauf, niemals scharfkantige, spitze oder ähnliche Gegenstände zu verstauen, welche Verletzungen an Personen bzw. Beschädigungen am Fahrzeug/Produkt verursachen könnten! Auf dem MOLLE-Aufsatz NUR zugewiesene SW-MOTECH-Produkte verschlaufen!

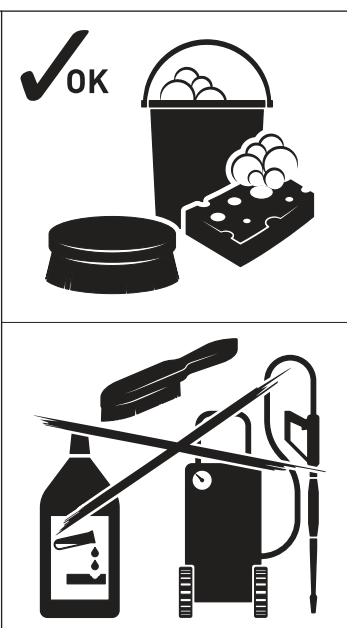
**LOADING:** Never store pointy or sharp-edged objects, which could cause injury to persons or damage to the vehicle/product! ONLY loop assigned SW-MOTECH products to the MOLLE attachment!

MOLLE-Aufsatz  
MOLLE attachment



**ACHTUNG:** Oberflächenmaterialien können bei längerer und intensiver Sonneneinstrahlung und Umwelteinflüssen (z. B. SMOG, saurer Regen, etc.) Farbveränderungen (Ausbleichen) unterliegen! Dafür übernimmt SW-MOTECH keine Haftung.

**ATTENTION:** Surface materials can experience color changes or fading when exposed to direct sunlight for extended periods of time and by environmental factors (e.g., SMOG, acid rain, etc.)! SW-MOTECH assumes no liability for this.



**PFLEGE:** Verwenden Sie zur Reinigung NUR eine weiche Textilbürste, ein Tuch oder Schwamm und warme Seifenlauge! Spülen Sie anschließend mit klarem Wasser nach.

Verwenden Sie KEINE scharfen Reinigungsmittel, raue Putzuntensilien oder einen Hochdruckreiniger! Reinigen Sie das Produkt unbedingt nach Winterfahrten, um Schäden durch das Salz zu vermeiden.

**CARE:** For cleaning use ONLY a soft textile brush, cloth or sponge and warm soapy water! Rinse with clean water.

Do NOT use strong cleaning agents, rough cleaning tools or high pressure washer! Clean the product after riding in salty conditions, to avoid damage from salt.