

# ANBAUANLEITUNG

mounting instructions • instructions de montage • instrucciones de montaje • istruzioni di montaggio

## ADV.10.057.76000

beinhaltet • contains • contient • contiene • contiene

SBL.10.057.10000/B

MSS.10.057.10000/B

HDG.00.220.81302/B

HDG.00.220.10000/B


STP.04.176.10501/B

STP.04.176.10801/B

Item number: **SBL.10.057.10000/B**

Revision: **00** · Date: **01 - 2026**

## Crash bar

 ~ 1.75 h.

EASY      DIFFICULT

**ENGLISH** Thank you for choosing this premium product from SW-MOTECH. Visit our online shop for more information (e.g. model assignments). Required documents (e.g. national type approval) are available there for you to download.

Please read and understand all the instructions, safety information and warnings in these mounting instructions before mounting and using the product in order to avoid injury and damage. Keep these mounting instructions for reference.

This product was developed for vehicles in factory condition. Compatibility with original accessories or accessories from other manufacturers cannot be guaranteed.

These mounting instructions have been prepared to the best of our current knowledge. No legal claims relating to accuracy can be made. Errors and omissions excepted. We reserve the right to make technical and design changes. The copyright is held by SW-MOTECH.

### SAFETY WARNING SYMBOL

 This warning symbol is used in these mounting instructions to warn of deadly dangers, injuries or other hazards. The words **DANGER**, **WARNING** or **CAUTION** are used as part of this warning symbol to convey important safety messages and information relating to the installation and use of this product. These words, together with the safety warning symbol, mean:

 **DANGER:** Indicates a hazardous situation which, if not avoided, will result in death or serious injury!

 **WARNING:** Indicates a hazardous situation which, if not avoided, may result in death or serious injury!

 **CAUTION:** Indicates a hazardous situation which, if not avoided, may result in minor or moderate injury!

 **NOTE:** Important information, but not relating to a risk of death or injury (property damage only)!

### GENERAL INFORMATION

 **WARNING:** Assembly and/or maintenance of this product requires advanced technical skill, appropriate tools, and a good understanding of tool usage and torque specifications. For your own safety, SW-MOTECH recommends having the assembly and/or maintenance carried out by a qualified and certified motorcycle workshop.

 **WARNING:** If you do choose to assemble this product yourself, carefully and fully read the mounting instructions before assembly and use, and follow all instructions to avoid serious injury or death. Also observe all relevant information in the vehicle manual when mounting or using the product. IF YOU DO NOT UNDERSTAND ANY PART OF THESE MOUNTING INSTRUCTIONS OR NEED AN EXPLANATION AS TO A SPECIFIC INSTRUCTION, DO NOT ATTEMPT TO INSTALL THIS PRODUCT WITHOUT CONSULTING SW-MOTECH FOR ASSISTANCE!

**PREPARATION:** Read the mounting instructions carefully and make sure that all parts on the parts list are available.

 **CAUTION:** Ensure that your vehicle is standing securely. Switch off the engine and remove the ignition key. Allow the engine/exhaust to cool down if necessary. Disconnect the battery when working on the electrical system. Only use proper tools and always wear safety goggles and gloves during assembly and maintenance. Have a second person help you with assembly and maintenance.

**ASSEMBLY:** All parts and connections removed from the vehicle must be reinstalled according to the vehicle manufacturer's specifications or replaced with parts and hardware supplied by SW-MOTECH.

 **WARNING:** Secure all threads with a medium-strength liquid threadlocker, unless otherwise specified.

 **DANGER:** Tightening torques not defined by SW-MOTECH must be obtained from the vehicle manufacturer or a certified motorbike workshop.


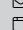
**FUNCTIONAL CHECK:** After mounting the product, ensure that no moving parts are obstructed and that the function of the vehicle is not impeded. Cables and hoses must not rub against each other and/or be hindered in any way.

 **WARNING:** Carry out a comprehensive functionality check before you start to drive. Check the tightening torque of all connections and the tight fit of the product after the first 50 km and then at regular intervals. Mounted accessories can change the handling and stability of the vehicle.



SW-MOTECH GmbH & Co. KG  
Ernteweg 7-10  
35282 Rauschenberg  
Germany



 [info@sw-motech.com](mailto:info@sw-motech.com)  
 [www.sw-motech.com](http://www.sw-motech.com)

**LEGEND OVERVIEW - READ AND KEEP MOUNTING INSTRUCTIONS!**



Take note of the symbols and what they mean in the ASSEMBLY section. If the term OEM appears in the ASSEMBLY section, the vehicle manufacturer's specifications must be observed and applied.



If you have any questions, please don't hesitate to contact our Customer Service team or our distributors. You can find our telephone number and a list of our distributors in our online shop:

**[www.sw-motech.com](http://www.sw-motech.com)**















**Use thread locker:** Indicates that a thread must be coated with liquid thread locker. H (HIGH): high strength; M (MEDIUM): medium strength; L (LOW): low strength.




**Tighten/note the tightening torque information:**



Indicates the tightening torque of a part specified by SW-MOTECH or the vehicle manufacturer (OEM).




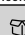



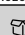

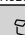
PARTS LIST - READ AND KEEP MOUNTING INSTRUCTIONS!










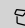


<p><b>3</b></p>	<p><b>1</b></p>  <p>SBL.10.057.001.11</p> <p> 1/1</p>	<p><b>2</b></p>  <p>M8 x 40; DIN 6912 SC.ST.08.040.02.6912.088</p> <p> 1/2</p>	<p><b>3</b></p>  <p>M8 x 50; DIN 6912 SC.ST.08.050.02.6912.088</p> <p> 1/1</p>	<p><b>4</b></p>  <p>ø 8,4; DIN 125 US.ST.084.02.125</p> <p> 2/4</p>	<p><b>5</b></p>  <p>Ø 20 / ø 8,4 / h 7 DB.ST.0200.0084.0070.48</p> <p> 1/1</p>	<p><b>6</b></p>  <p>Ø 15 / ø 8,4 / h 5 DB.ST.0150.0084.0050.48</p> <p> 1/2</p>
-----------------	---	--	--	--	--	--

<p><b>7</b></p>  <p>Ø 14 / ø 8,4 / h 22 DB.ST.0140.0084.0220.48</p> <p> 1/1</p>
---

<p><b>5</b></p>	<p><b>8</b></p>  <p>SBL.10.057.003.11</p> <p> 1/1</p>	<p><b>9</b></p>  <p>M8 x 35; DIN 6912 SC.ST.08.035.02.6912.088</p> <p> 1/1</p>	<p><b>10</b></p>  <p>M8 x 40; DIN 6912 SC.ST.08.040.02.6912.088</p> <p> 1/2</p>	<p><b>11</b></p>  <p>ø 8,4; DIN 125 US.ST.084.02.125</p> <p> 2/4</p>	<p><b>12</b></p>  <p>Ø 15 / ø 8,4 / h 15 DB.ST.0150.0084.0150.48</p> <p> 2/2</p>	<p><b>13</b></p>  <p>Ø 15 / ø 8,4 / h 5 DB.ST.0150.0084.0050.48</p> <p> 1/2</p>
-----------------	---	--	---	---	--	---

<p><b>14</b></p>  <p>KB.PA.036.140.02</p> <p> 1/1</p>
---

<p><b>6</b></p>	<p><b>15</b></p>  <p>SBL.10.057.002.11</p> <p> 1/1</p>	<p><b>16</b></p>  <p>M6 x 35; DIN 912 SC.ST.06.035.02.912.088</p> <p> 2/4</p>	<p><b>17</b></p>  <p>ø 6,4; DIN 9021 US.ST.064.02.9021</p> <p> 2/2</p>	<p><b>18</b></p>  <p>Ø 20 / ø 6,4 / h 8 DB.ST.0200.0064.0080.48</p> <p> 2/2</p>	<p><b>19</b></p>  <p>Ø 20 / ø 6,4 / h 12 DB.ST.0200.0064.0120.48</p> <p> 2/2</p>
-----------------	--	---	--	--	--

<p><b>7</b></p>	<p><b>20</b></p>  <p>SBL.10.057.902.01.11</p> <p> 1/1</p>	<p><b>21</b></p>  <p>M8 x 25; DIN 6912 SC.ST.08.025.02.6912.088</p> <p> 1/2</p>	<p><b>22</b></p>  <p>Ø 18 / ø 8,4 / h 3 DB.ST.0180.0084.0030.48</p> <p> 1/2</p>	<p><b>23</b></p>  <p>M8 x 80; DIN 912 SC.ST.08.080.01.912.088</p> <p> 1/1</p>	<p><b>24</b></p>  <p>ø 8,4; DIN 9021 US.ST.084.02.9021</p> <p> 1/2</p>	<p><b>25</b></p>  <p>SBL.04.521.005.11</p> <p> 1/1</p>
-----------------	---	---	---	--	--	--

**PARTS LIST - READ AND KEEP MOUNTING INSTRUCTIONS!**

**8**

**26**



SBL.10.057.901.01.11

 1/1


**27**




M8 x 25; DIN 6912  
SC.ST.08.025.02.6912.088

 1/2

**28**



∅ 18 / ∅ 8,4 / h 3  
DB.ST.0180.0084.0030.48

 1/2

**29**



M8 x 100; DIN 912  
SC.ST.08.100.01.912.088

 1/1

**30**



∅ 8,4; DIN 9021  
US.ST.084.02.9021

 1/2

**31**



SBL.04.521.006.11

 1/1


**32**




M6 x 35; DIN 912  
SC.ST.06.035.02.912.088

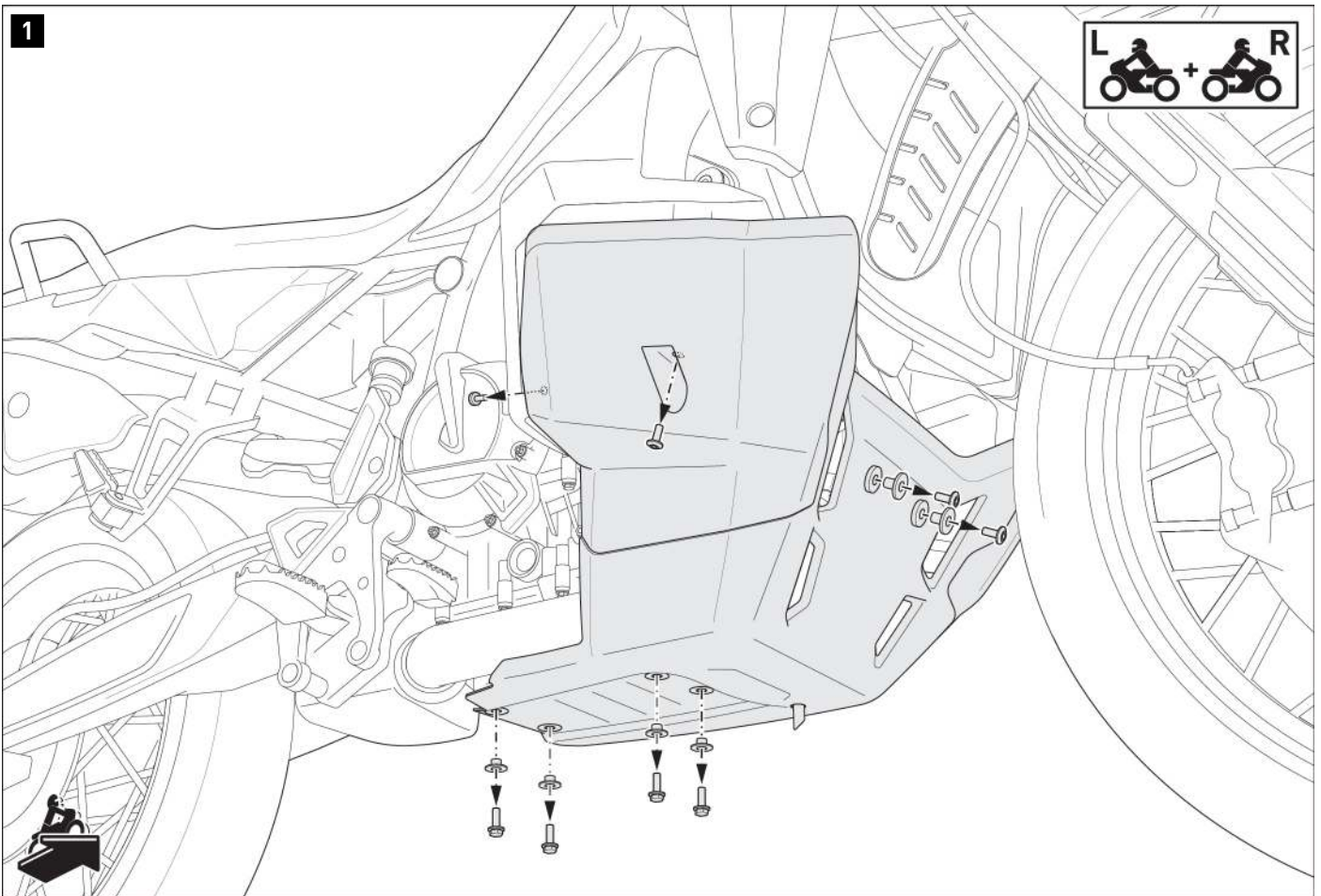
 2/4

**33**



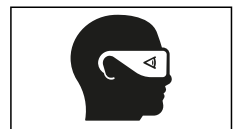
BB.200.100.044.120.080.48

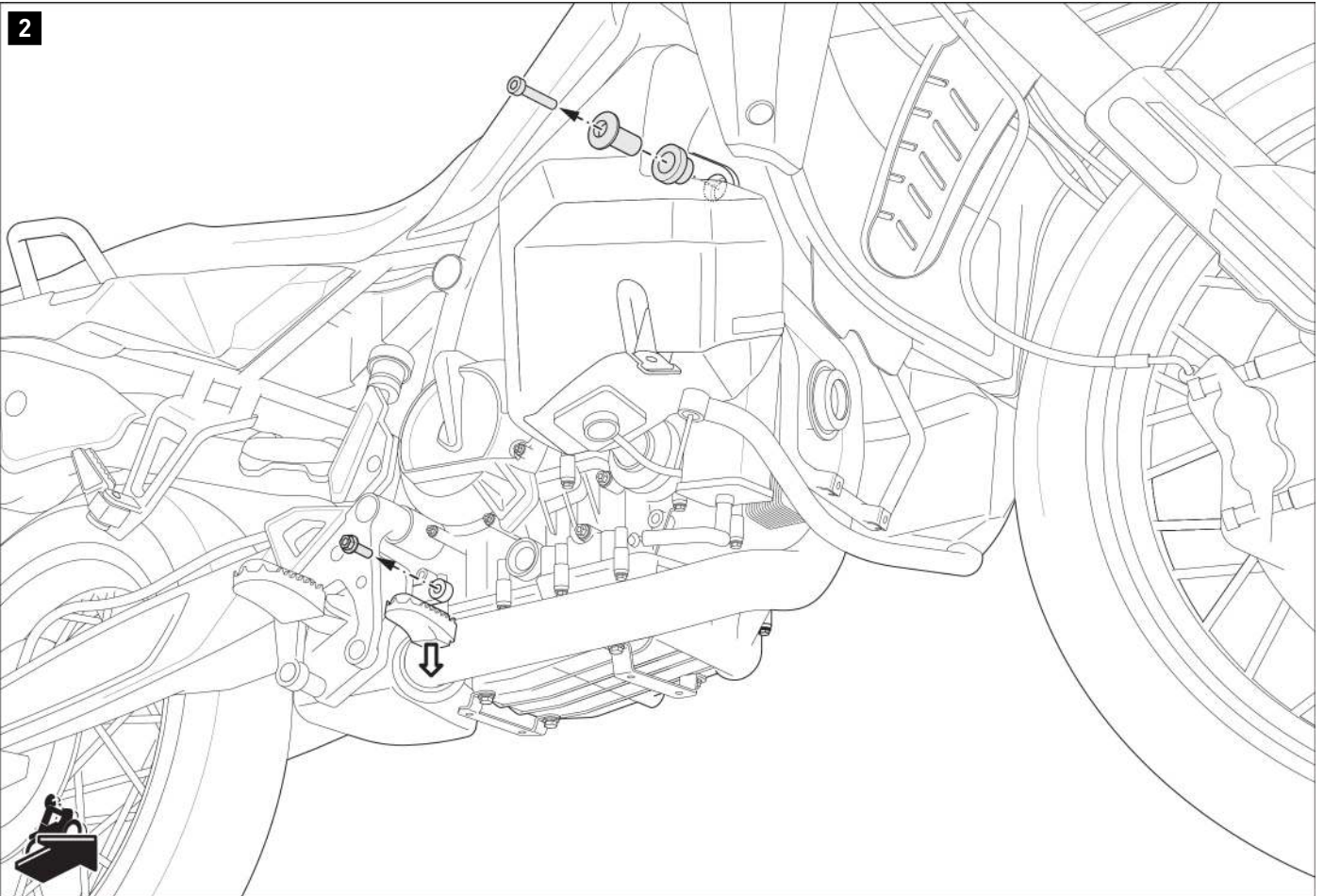
 1/1



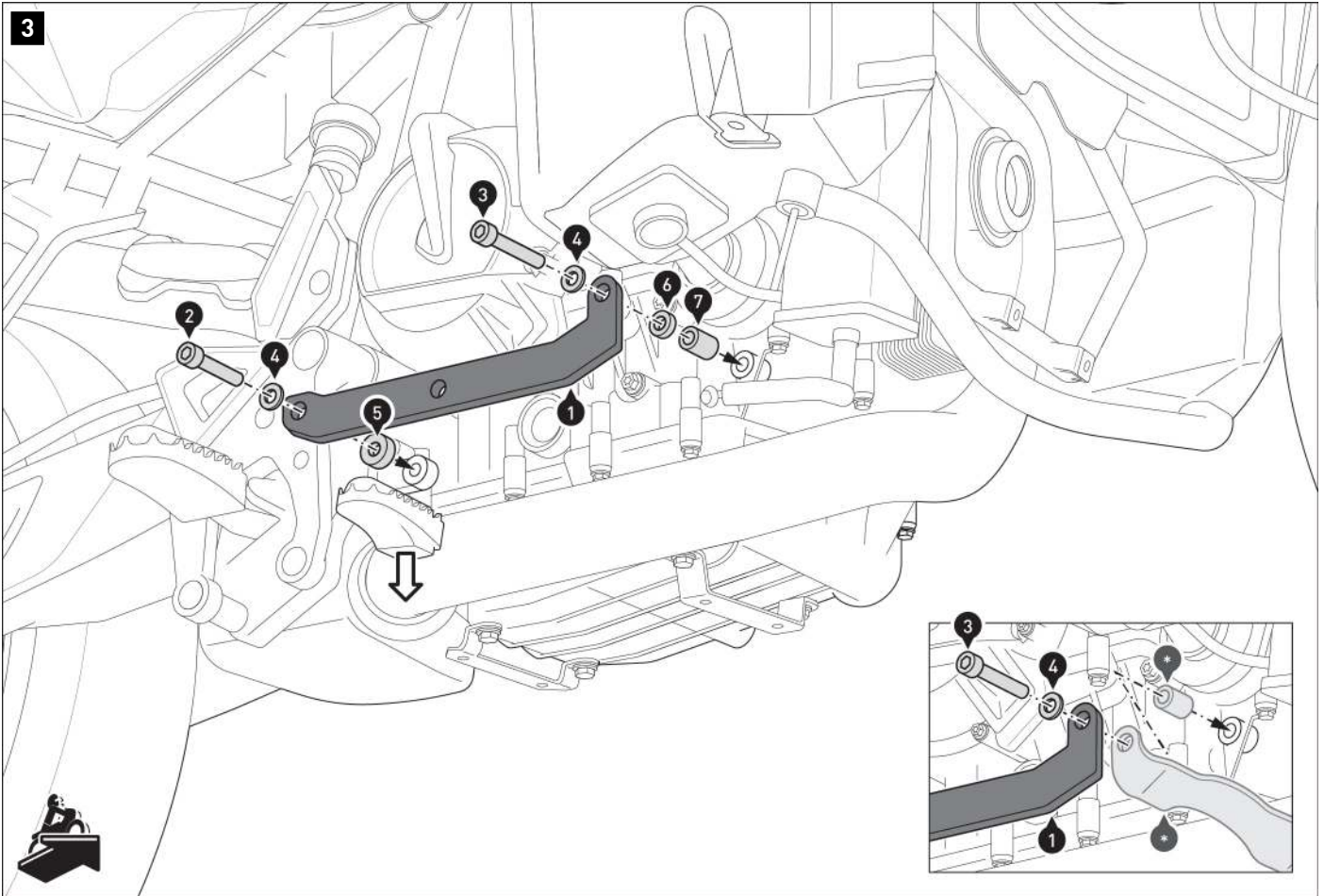
- ▲ **WARNING: Always wear eye and hand protection!**
- ▲ **WARNING: Always use suitable tools!**

Loosen the indicated screws on **both sides** and remove the original engine guard from the vehicle.





Remove the original parts indicated from the vehicle.

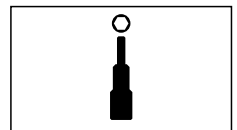
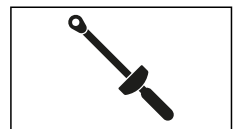


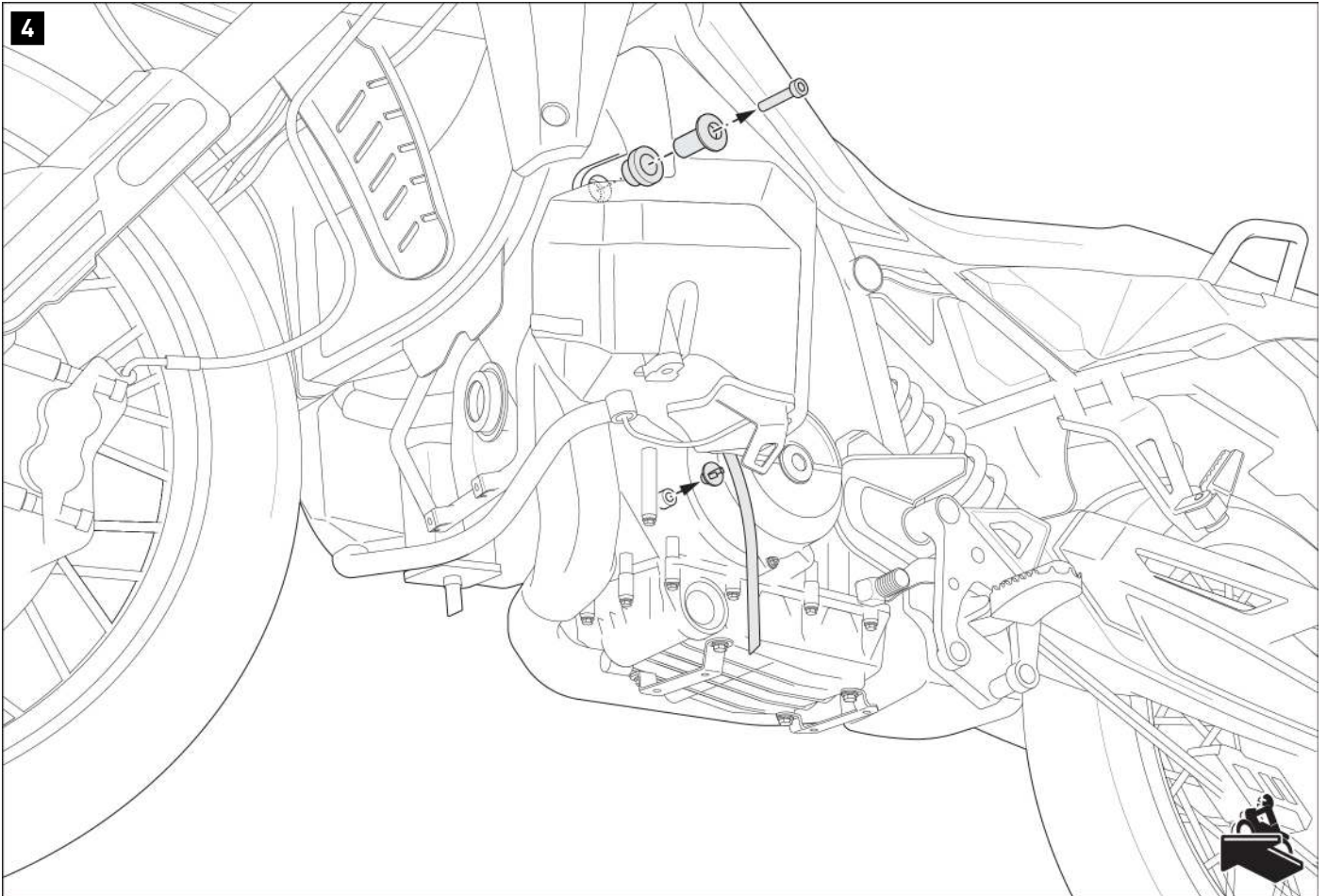
**⚠ NOTE:** The detailed drawing illustrates how to mount the crash bars with a SW-MOTECH engine guard. Use the mounting parts included with the engine guard (-) together with the indicated crash bar mounting parts.

Screw the mounting bracket (1) to the bike.

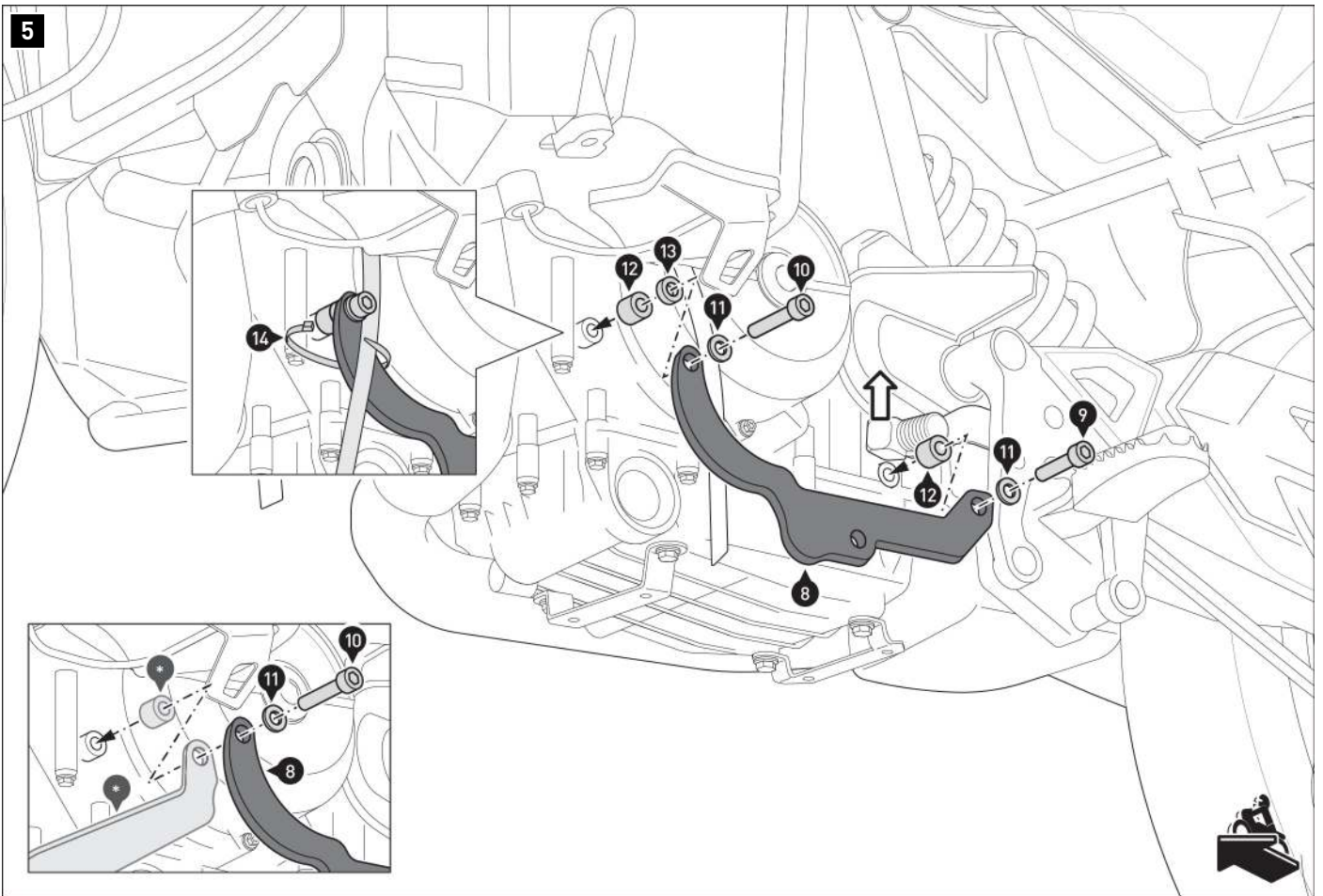
**⚠ WARNING: Use liquid threadlocker!**

Tighten the screw (2) according to the vehicle manufacturer's specifications. Tighten the screw (3) as specified in the mounting instructions.





Detach the overflow hose from the holder.  
Remove the holder and the original parts shown above from the vehicle.



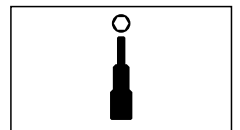
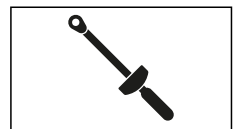
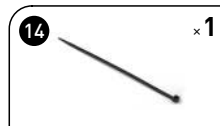
**NOTE:** The detailed drawing illustrates how to mount the crash bars with a SW-MOTECH engine guard. Use the mounting parts included with the engine guard (-) together with the indicated crash bar mounting parts.

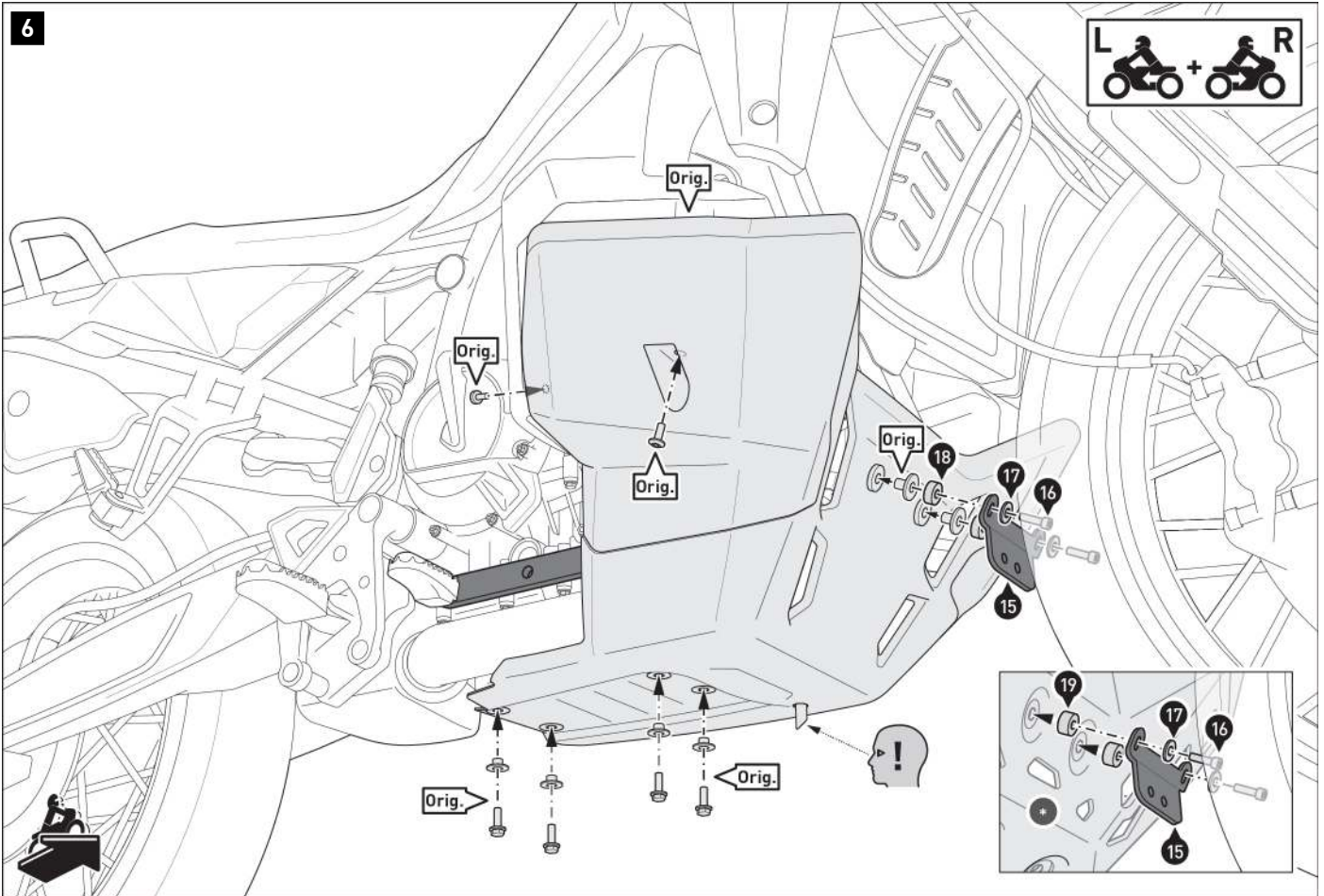
Screw the mounting bracket (8) to the bike.

**WARNING: Use liquid threadlocker!**

Tighten screws (9) and (10) as specified in the mounting instructions.

Secure the overflow hose to the mounting bracket (14) using the cable tie (8).





**⚠ NOTE:** The detailed drawing illustrates how to mount the crash bars with a SW-MOTECH engine guard. Use the mounting parts included with the engine guard (-) together with the indicated crash bar mounting parts.

Screw the original engine guard to the vehicle on **both sides**.

**⚠ WARNING: Use liquid threadlocker!**

Tighten the original screws (Orig.) according to the vehicle manufacturer's specifications.

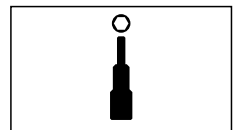
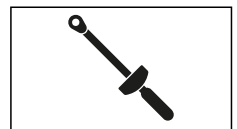
Screw the front mounting bracket (15) to the vehicle.

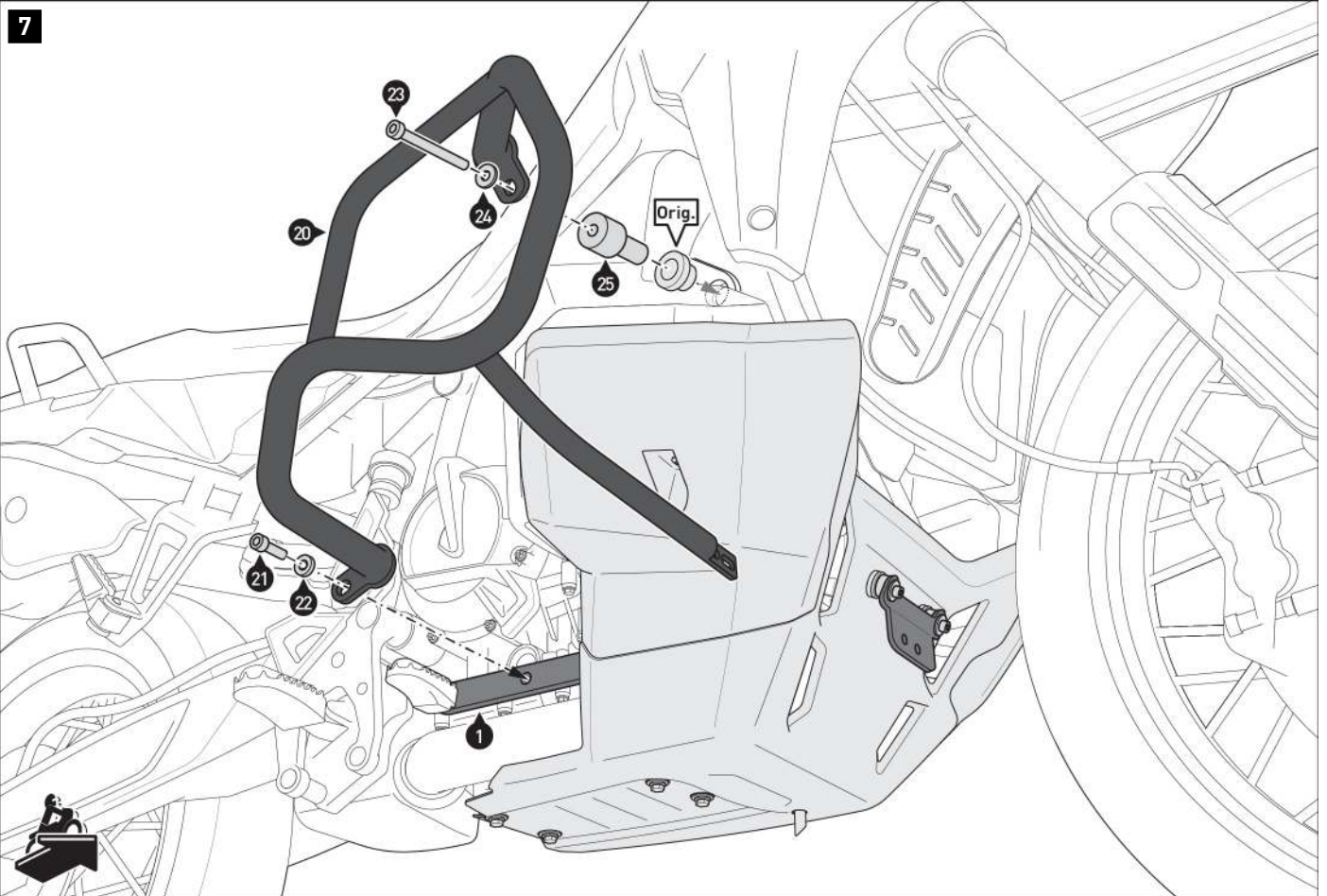
**⚠ WARNING: Use liquid threadlocker!**

Tighten the screws (16) as specified in the mounting instructions.

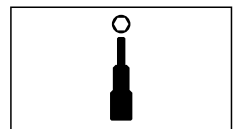
Mount the ventilation hose **on the right** into its proper position in the original engine guard (Orig.).

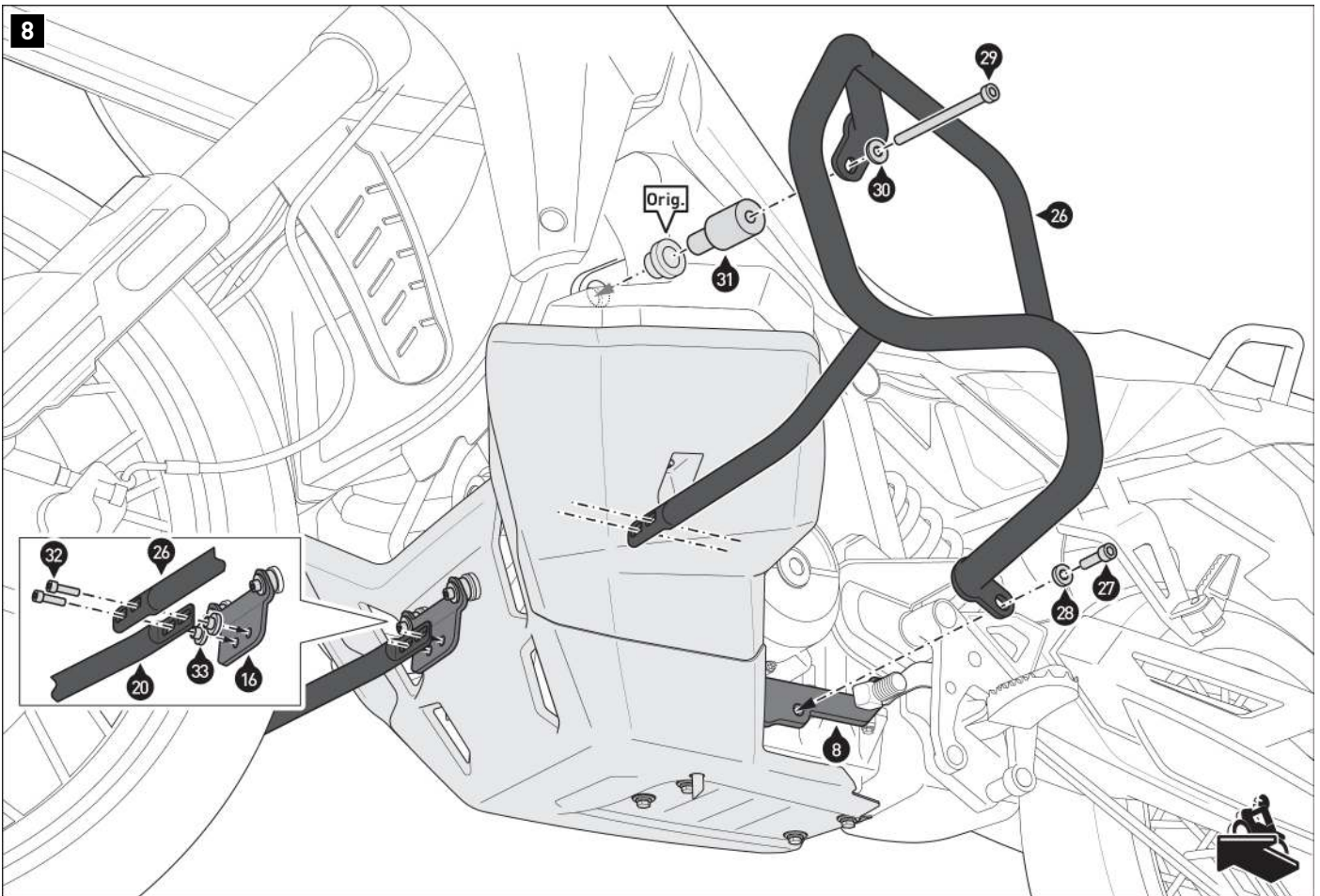
Guide the overflow hose **on the left** through the corresponding opening in the original engine guard (Orig.).





Screw the **right** crash bar [20] to the vehicle and to the mounting bracket [1].  
**▲ WARNING: Use liquid threadlocker!**  
 Do not tighten screws [21] and [23] yet.

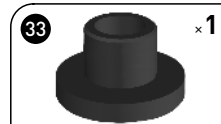




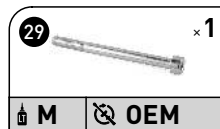
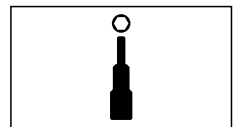
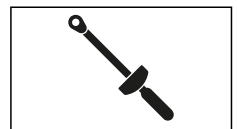
Screw the **left** crash bar (26) to the vehicle and to the mounting bracket (8).  
**▲ WARNING: Use liquid threadlocker!**  
 Do not tighten screws (27) and (29) yet.

Then screw the two crash bars (20) and (26) together at the front attachment points.

Once all components have been loosely positioned, tighten the screws (23) and (29) according to the vehicle manufacturer's specifications. Tighten screws (21), (27) and (32) as specified in the mounting instructions.



M 20 Nm



M OEM



M 9.6 Nm

PRODUCT-SPECIFIC NOTES

**⚠ WARNING: This product may inhibit cornering and ground clearance in cases of extreme inclination!**

**⚠ NOTE:** *Observe the country-specific regulations for the registration/operation of your vehicle and any applicable TÜV regulations. Have any parts requiring registration entered into your vehicle documents by your inspection centre after they have been installed.*

Item number: **MSS.10.057.10000/B**

Revision: **00** · Date: **12 - 2025**

## Engine guard

 ~ 2 h.

EASY      DIFFICULT


**ENGLISH** Thank you for choosing this premium product from SW-MOTECH. Visit our online shop for more information (e.g. model assignments). Required documents (e.g. national type approval) are available there for you to download.


Please read and understand all the instructions, safety information and warnings in these mounting instructions before mounting and using the product in order to avoid injury and damage. Keep these mounting instructions for reference.


This product was developed for vehicles in factory condition. Compatibility with original accessories or accessories from other manufacturers cannot be guaranteed.


These mounting instructions have been prepared to the best of our current knowledge. No legal claims relating to accuracy can be made. Errors and omissions excepted. We reserve the right to make technical and design changes. The copyright is held by SW-MOTECH.


### SAFETY WARNING SYMBOL

 This warning symbol is used in these mounting instructions to warn of deadly dangers, injuries or other hazards. The words **DANGER**, **WARNING** or **CAUTION** are used as part of this warning symbol to convey important safety messages and information relating to the installation and use of this product. These words, together with the safety warning symbol, mean:


 **DANGER:** Indicates a hazardous situation which, if not avoided, will result in death or serious injury!


 **WARNING:** Indicates a hazardous situation which, if not avoided, may result in death or serious injury!

 **CAUTION:** Indicates a hazardous situation which, if not avoided, may result in minor or moderate injury!


 **NOTE:** Important information, but not relating to a risk of death or injury (property damage only)!

### GENERAL INFORMATION


 **WARNING:** Assembly and/or maintenance of this product requires advanced technical skill, appropriate tools, and a good understanding of tool usage and torque specifications. For your own safety, SW-MOTECH recommends having the assembly and/or maintenance carried out by a qualified and certified motorcycle workshop.


 **WARNING:** If you do choose to assemble this product yourself, carefully and fully read the mounting instructions before assembly and use, and follow all instructions to avoid serious injury or death. Also observe all relevant information in the vehicle manual when mounting or using the product. IF YOU DO NOT UNDERSTAND ANY PART OF THESE MOUNTING INSTRUCTIONS OR NEED AN EXPLANATION AS TO A SPECIFIC INSTRUCTION, DO NOT ATTEMPT TO INSTALL THIS PRODUCT WITHOUT CONSULTING SW-MOTECH FOR ASSISTANCE!

**PREPARATION:** Read the mounting instructions carefully and make sure that all parts on the parts list are available.


 **CAUTION:** Ensure that your vehicle is standing securely. Switch off the engine and remove the ignition key. Allow the engine/exhaust to cool down if necessary. Disconnect the battery when working on the electrical system. Only use proper tools and always wear safety goggles and gloves during assembly and maintenance. Have a second person help you with assembly and maintenance.

**ASSEMBLY:** All parts and connections removed from the vehicle must be reinstalled according to the vehicle manufacturer's specifications or replaced with parts and hardware supplied by SW-MOTECH.

 **WARNING:** Secure all threads with a medium-strength liquid threadlocker, unless otherwise specified.

 **DANGER:** Tightening torques not defined by SW-MOTECH must be obtained from the vehicle manufacturer or a certified motorbike workshop.



**FUNCTIONAL CHECK:** After mounting the product, ensure that no moving parts are obstructed and that the function of the vehicle is not impeded. Cables and hoses must not rub against each other and/or be hindered in any way.

 **WARNING:** Carry out a comprehensive functionality check before you start to drive. Check the tightening torque of all connections and the tight fit of the product after the first 50 km and then at regular intervals. Mounted accessories can change the handling and stability of the vehicle.



SW-MOTECH GmbH & Co. KG  
Ernteweg 7-10  
35282 Rauschenberg  
Germany



 [info@sw-motech.com](mailto:info@sw-motech.com)  
 [www.sw-motech.com](http://www.sw-motech.com)



Take note of the symbols and what they mean in the ASSEMBLY section. If the term OEM appears in the ASSEMBLY section, the vehicle manufacturer's specifications must be observed and applied.



If you have any questions, please don't hesitate to contact our Customer Service team or our distributors. You can find our telephone number and a list of our distributors in our online shop:

**[www.sw-motech.com](http://www.sw-motech.com)**



**Use thread locker:** Indicates that a thread must be coated with liquid thread locker. H (HIGH): high strength; M (MEDIUM): medium strength; L (LOW): low strength.



**Tighten/note the tightening torque information:**

Indicates the tightening torque of a part specified by SW-MOTECH or the vehicle manufacturer (OEM).



**Do not use thread lock:** Indicates that no liquid thread lock should be used at this point.

PARTS LIST - READ AND KEEP MOUNTING INSTRUCTIONS!

<p><b>3</b></p>	<p><b>1</b></p>  <p>MSS.10.057.002.11</p> <p> 2/2</p>	<p><b>2</b></p>  <p>M6 x 16; DIN 6921 SC.ST.06.016.48.6921.109</p> <p> 2/2</p>	<p><b>3</b></p>  <p>MSS.04.521.006.11</p> <p> 1/1</p>	<p><b>4</b></p>  <p>M6 x 40; DIN 931 SC.ST.06.040.01.931.088</p> <p> 2/2</p>	<p><b>5</b></p>  <p>M6 x 25; DIN 933 SC.ST.06.025.01.933.088</p> <p> 2/2</p>	<p><b>6</b></p>  <p>ø 6.4; DIN 125 US.ST.064.01.125</p> <p> 4/6</p>
	<p><b>7</b></p>  <p>Ø 14 / ø 6,4 / h 21 DB.ST.0140.0064.0210.48</p> <p> 2/2</p>	<p><b>8</b></p>  <p>Ø 14 / ø 6,4 / h 6 DB.ST.0140.0064.0060.48</p> <p> 2/2</p>				
<p><b>4</b></p>	<p><b>9</b></p>  <p>MSS.10.057.003.11</p> <p> 1/1</p>	<p><b>10</b></p>  <p>M6 x 20; DIN 933 SC.ST.06.020.01.933.088</p> <p> 2/2</p>	<p><b>11</b></p>  <p>ø 6.4; DIN 125 US.ST.064.01.125</p> <p> 2/6</p>	<p><b>12</b></p>  <p>M6; DIN 6927 MU.ST.06.02.6927.08</p> <p> 2/2</p>		
<p><b>5</b></p>	<p><b>13</b></p>  <p>M8 x 40; DIN 6912 SC.ST.08.040.02.6912.088</p> <p> 1/1</p>	<p><b>14</b></p>  <p>ø 8,4; DIN 125 US.ST.084.02.125</p> <p> 1/2</p>	<p><b>15</b></p>  <p>Ø 14 / ø 8,4 / h 22 DB.ST.0140.0084.0220.48</p> <p> 1/1</p>	<p><b>16</b></p>  <p>KB.PA.036.140.02</p> <p> 1/2</p>		
<p><b>6</b></p>	<p><b>17</b></p>  <p>M8 x 35; DIN 6912 SC.ST.08.035.02.6912.088</p> <p> 1/1</p>	<p><b>18</b></p>  <p>ø 8,4; DIN 125 US.ST.084.02.125</p> <p> 1/2</p>	<p><b>19</b></p>  <p>Ø 15 / ø 8,4 / h 15 DB.ST.0150.0084.0150.48</p> <p> 1/1</p>	<p><b>20</b></p>  <p>KB.PA.036.140.02</p> <p> 1/2</p>		
<p><b>7</b></p>	<p><b>21</b></p>  <p>MSS.10.057.900.01.02</p> <p> 1/1</p>	<p><b>22</b></p>  <p>MSS.04.521.009L.02</p> <p> 1/1</p>	<p><b>23</b></p>  <p>MSS.04.521.008L.02</p> <p> 1/1</p>	<p><b>24</b></p>  <p>MSS.04.521.008R.02</p> <p> 1/1</p>	<p><b>25</b></p>  <p>MSS.04.521.009R.02</p> <p> 1/1</p>	

**PARTS LIST - READ AND KEEP MOUNTING INSTRUCTIONS!**

**10**

**26**



M6 x 16; DIN 7991  
SC.ST.06.016.02.7991.088

 **2/2**

**27**



∅ 6,4  
SE.00.064.02

 **2/2**

**28**



M8 x 20; DIN 933  
SC.ST.08.020.01.933.088

 **6/6**

**29**



∅ 8,4; DIN 125  
US.ST.084.01.125

 **6/6**

**30**



M6 x 16; DIN 912  
SC.ST.06.016.02.912.088

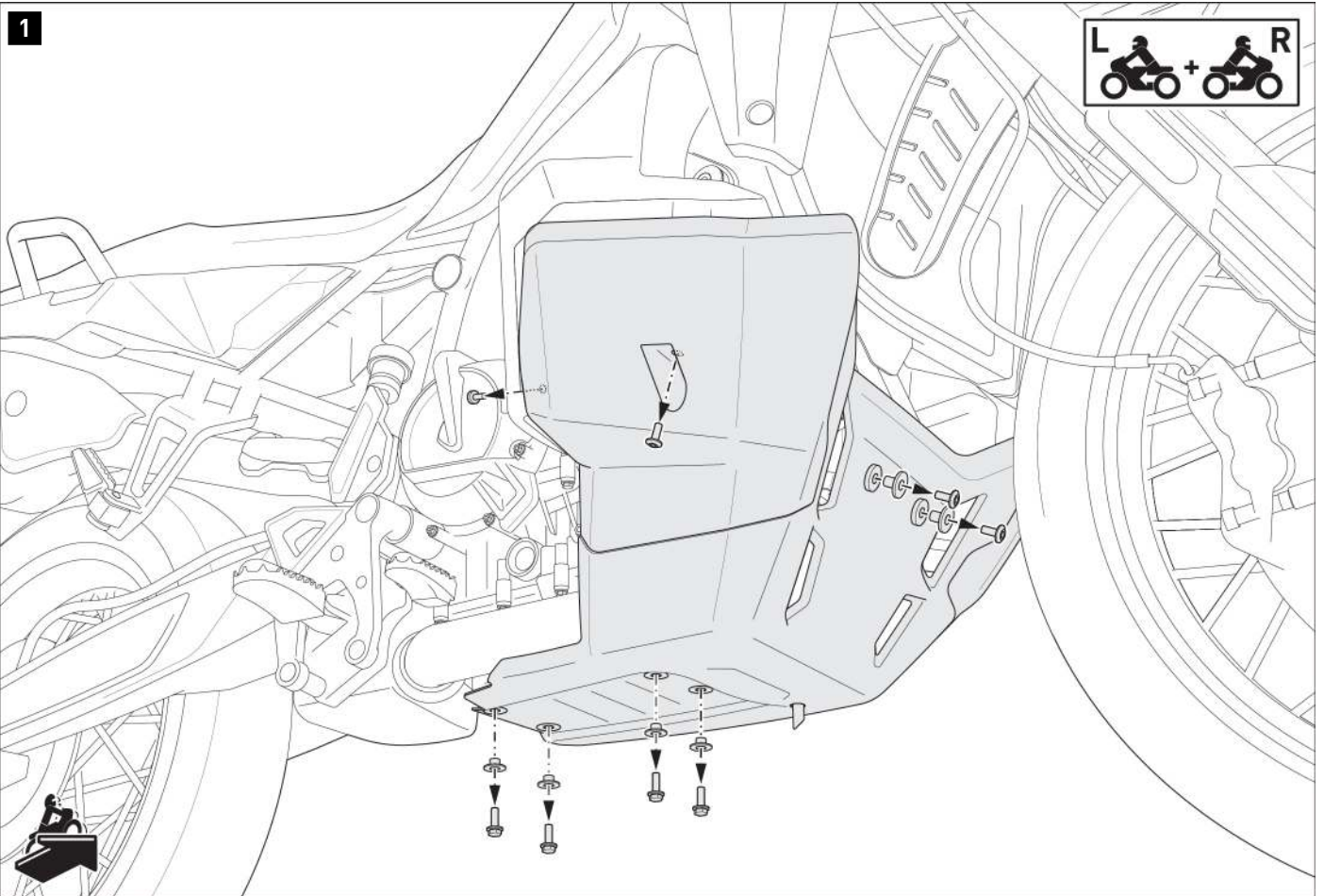
 **2/2**

**31**



∅ 6,4; DIN 9021  
US.ST.064.02.9021

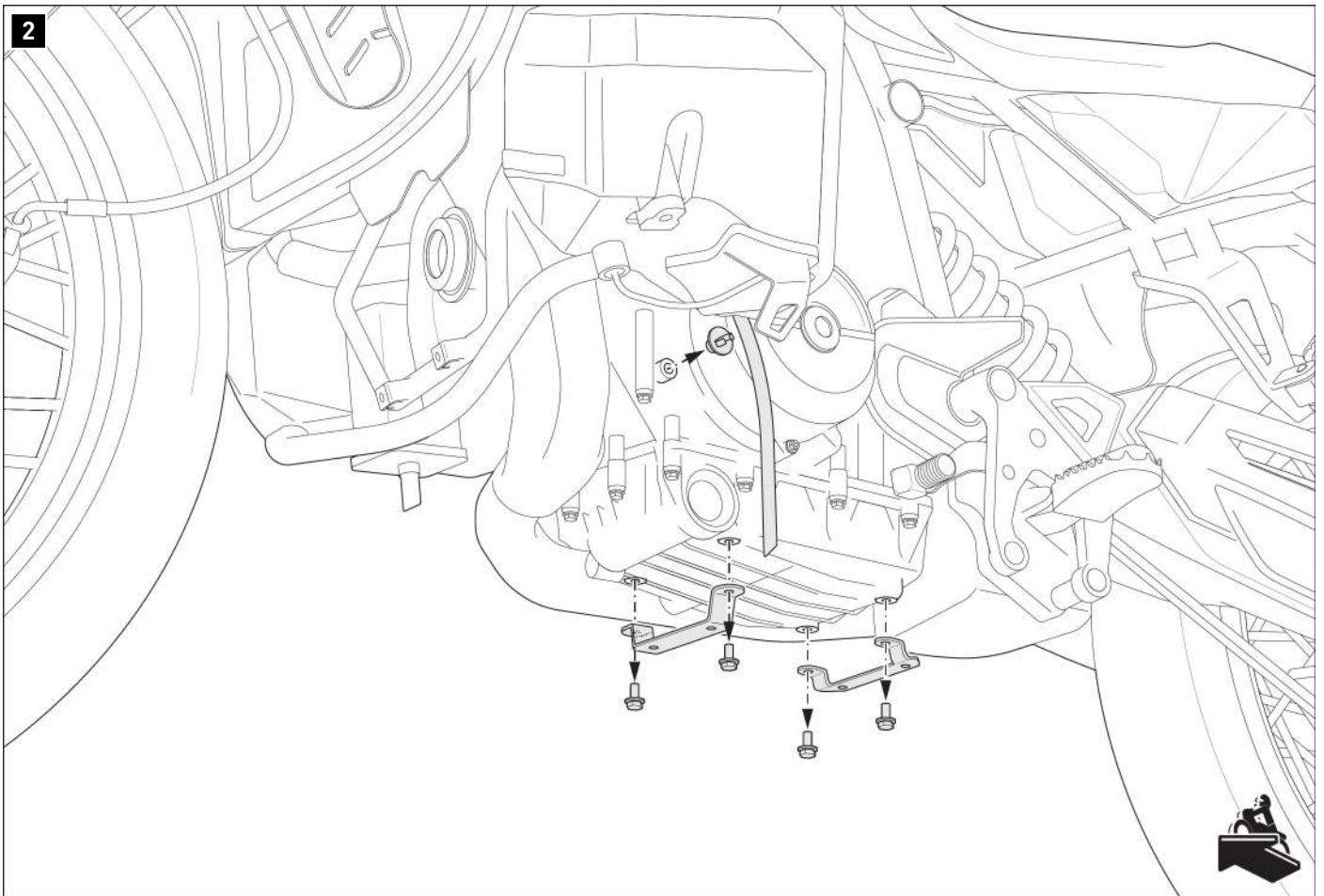
 **2/2**



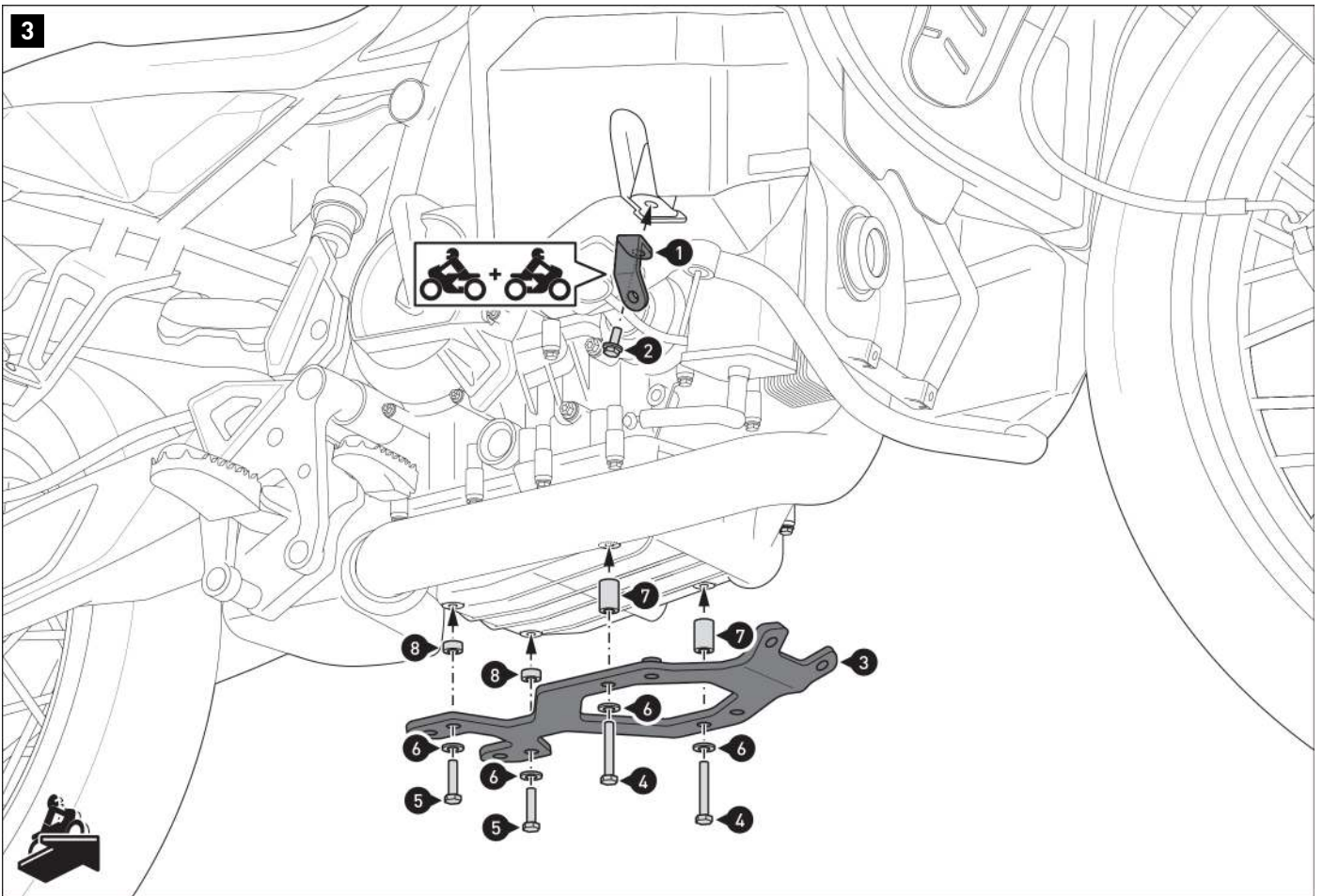
- ▲ **WARNING: Always wear eye and hand protection!**
- ▲ **WARNING: Always use suitable tools!**

Loosen the indicated screws on **both sides** and remove the original engine guard from the vehicle.



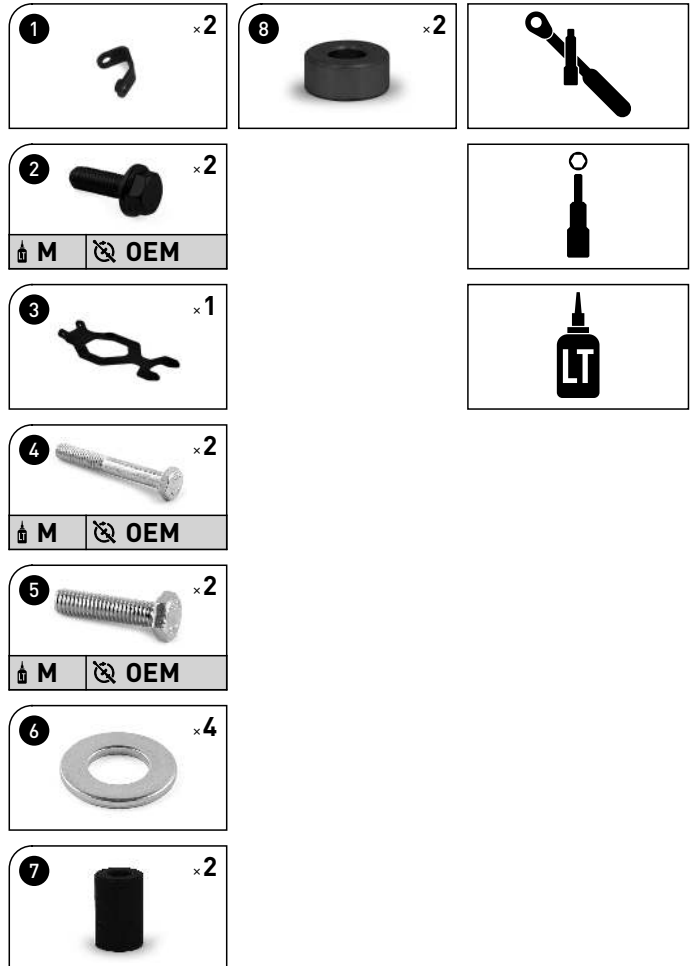


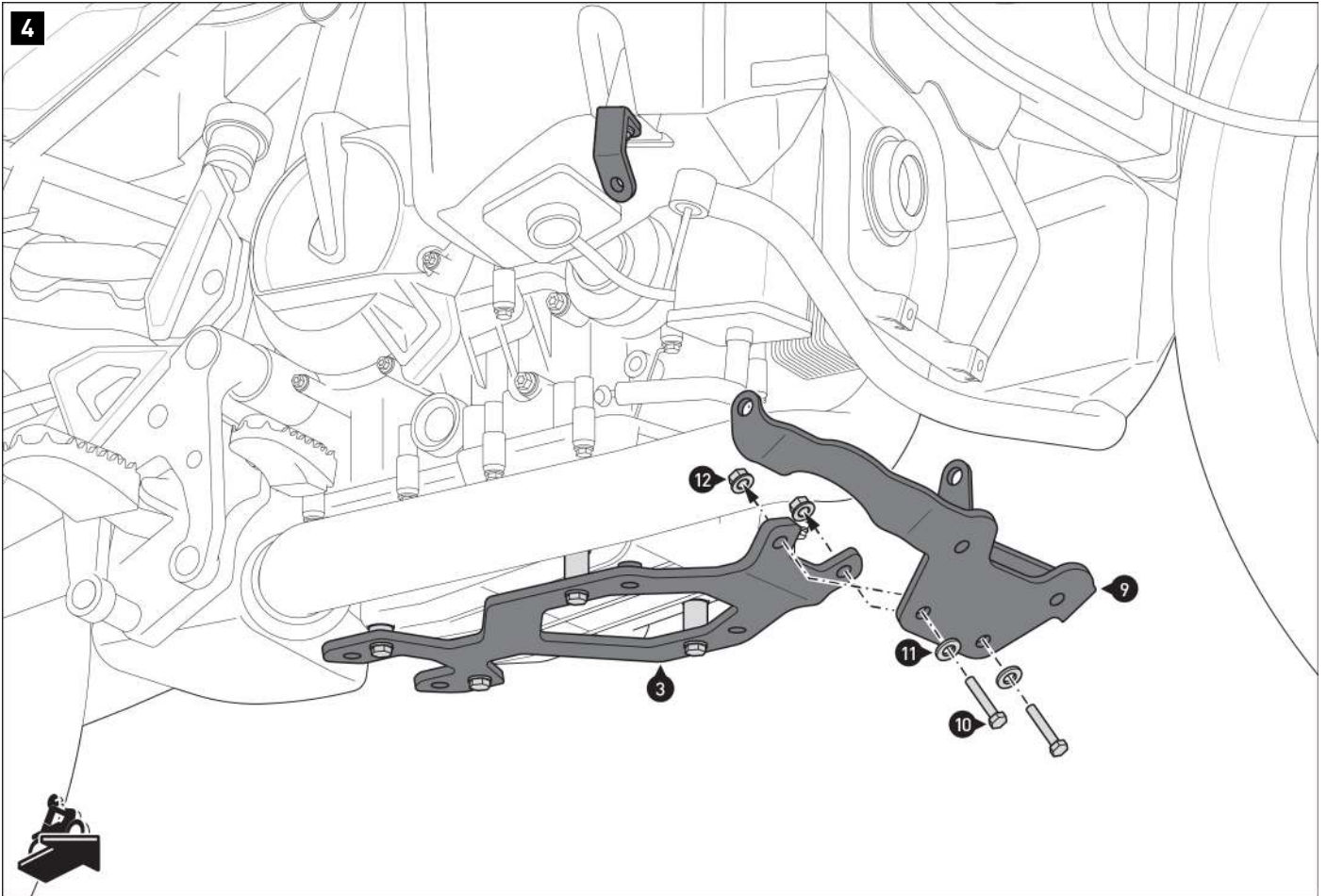
Detach the overflow hose from the holder.  
Remove the original engine guard holder and mounting brackets from the vehicle.



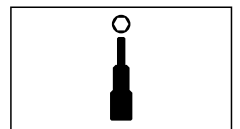
Screw the mounting angles (1) on **both sides** and the lower mounting bracket (3) onto the vehicle.

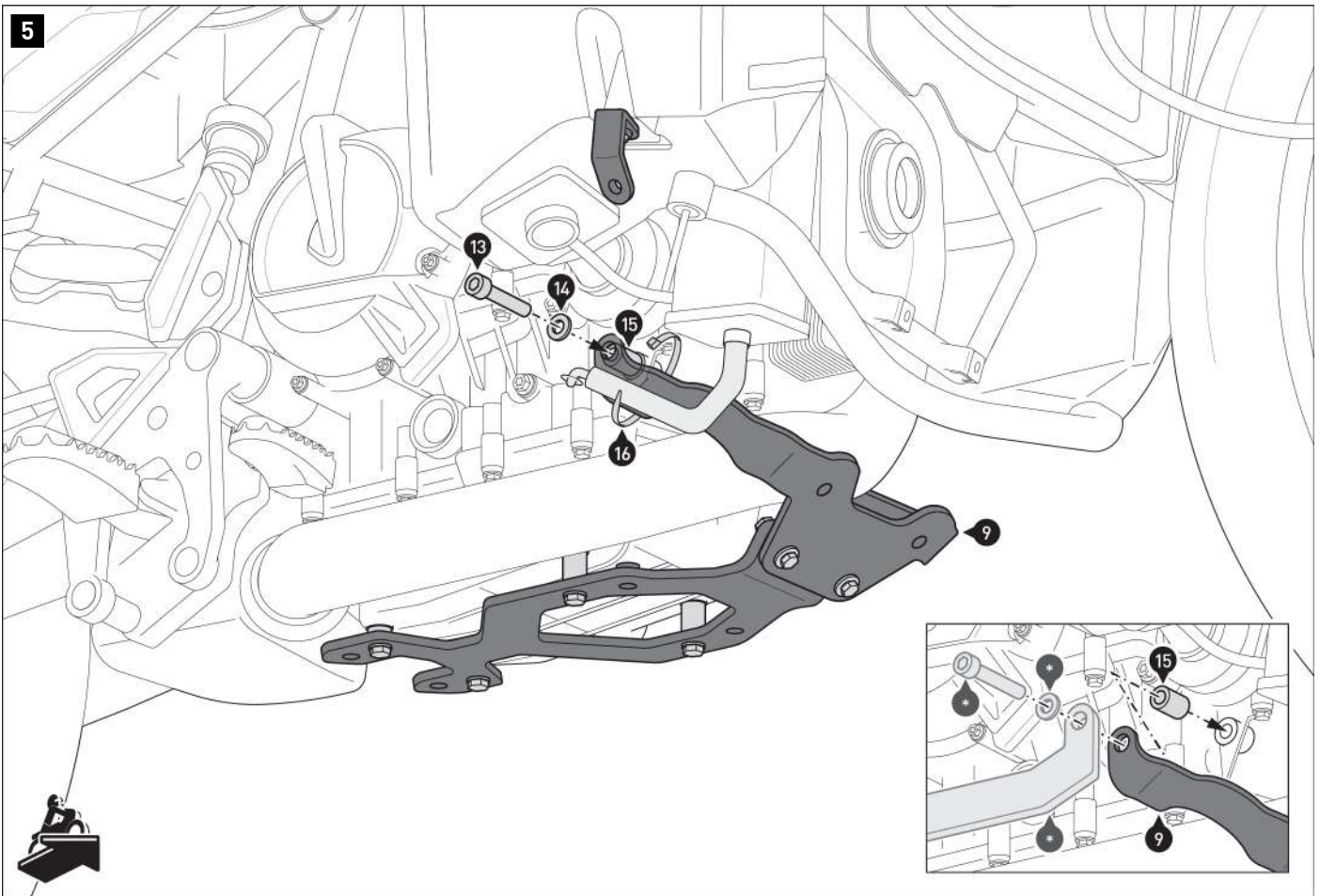
**▲ WARNING: Use liquid threadlocker!**  
Do not tighten screws (2), (4) and (5) yet.





Screw the front mounting bracket (9) to the lower mounting bracket (3).  
Do not tighten the screws (10) yet.



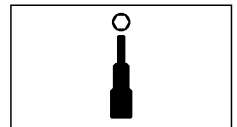
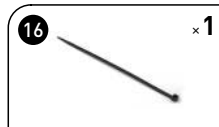


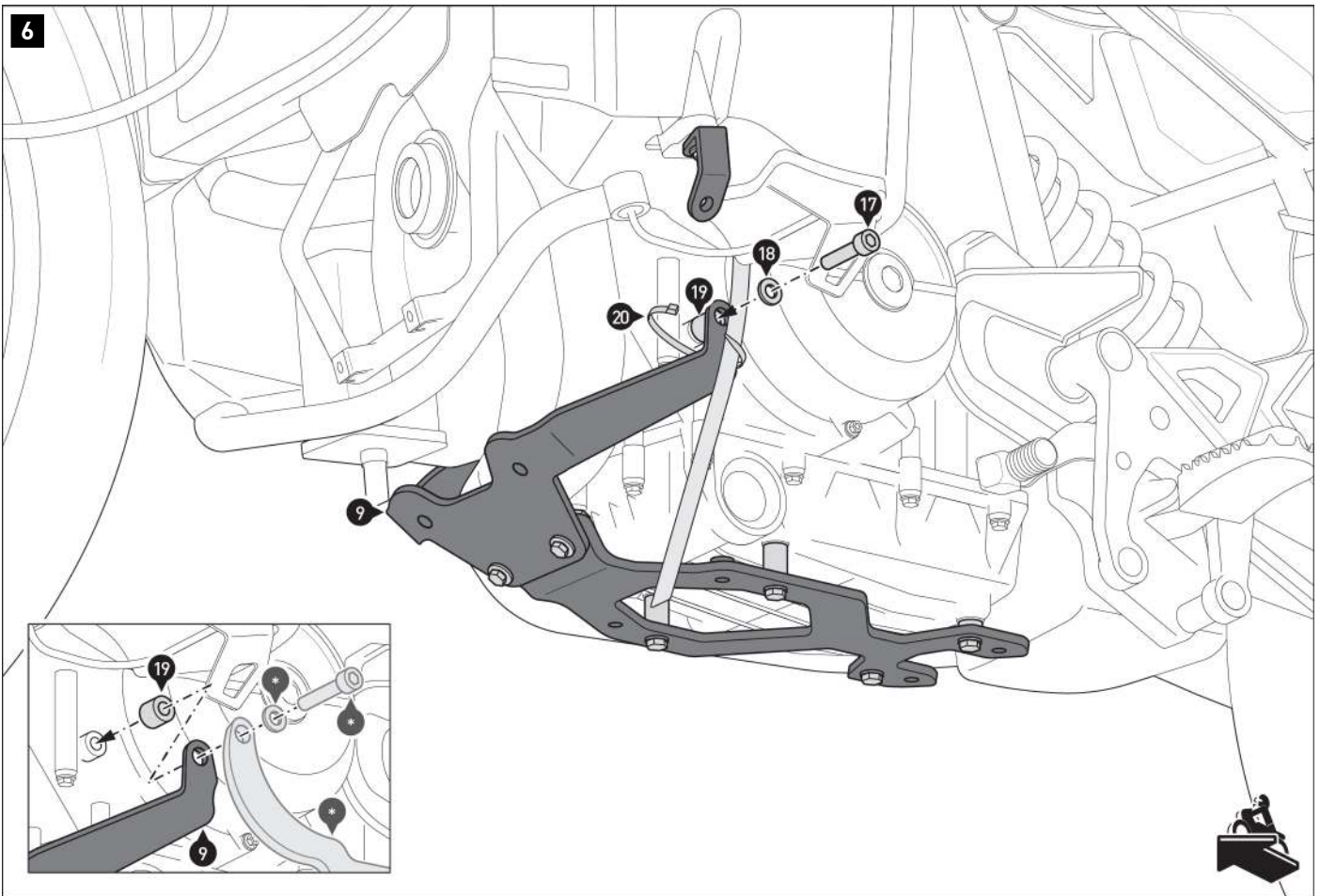
**⚠ NOTE:** The detailed drawing illustrates how to mount the engine guard with a SW-MOTECH crash bar. Use the mounting parts included with the crash bar (-) together with the indicated engine guard mounting parts.

Screw the front mounting bracket (9) to the **right** side of the vehicle.

**⚠ WARNING: Use liquid threadlocker!**  
Do not tighten the screw (13) yet.

Attach the ventilation hose to the front mounting bracket (16) using the cable tie (9).



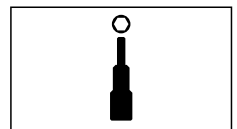
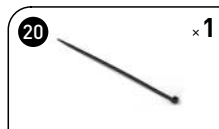


**⚠ NOTE:** The detailed drawing illustrates how to mount the engine guard with a SW-MOTECH crash bar. Use the mounting parts included with the crash bar (-) together with the indicated engine guard mounting parts.

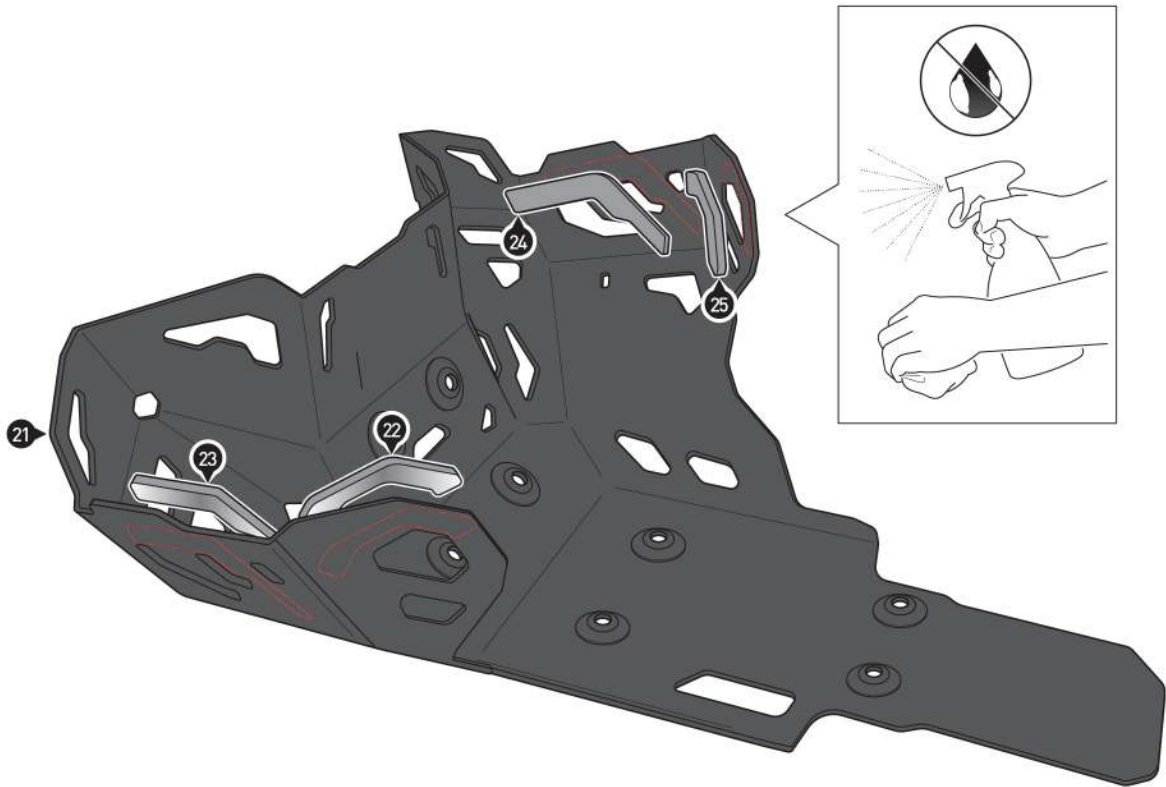
Screw the front mounting bracket (9) to the **left** side of the vehicle.

**⚠ WARNING: Use liquid threadlocker!**  
Do not tighten the screw (17) yet.

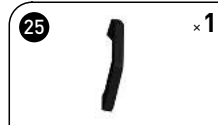
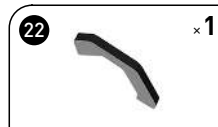
Attach the overflow hose to the front mounting bracket (20) using the cable tie (9).

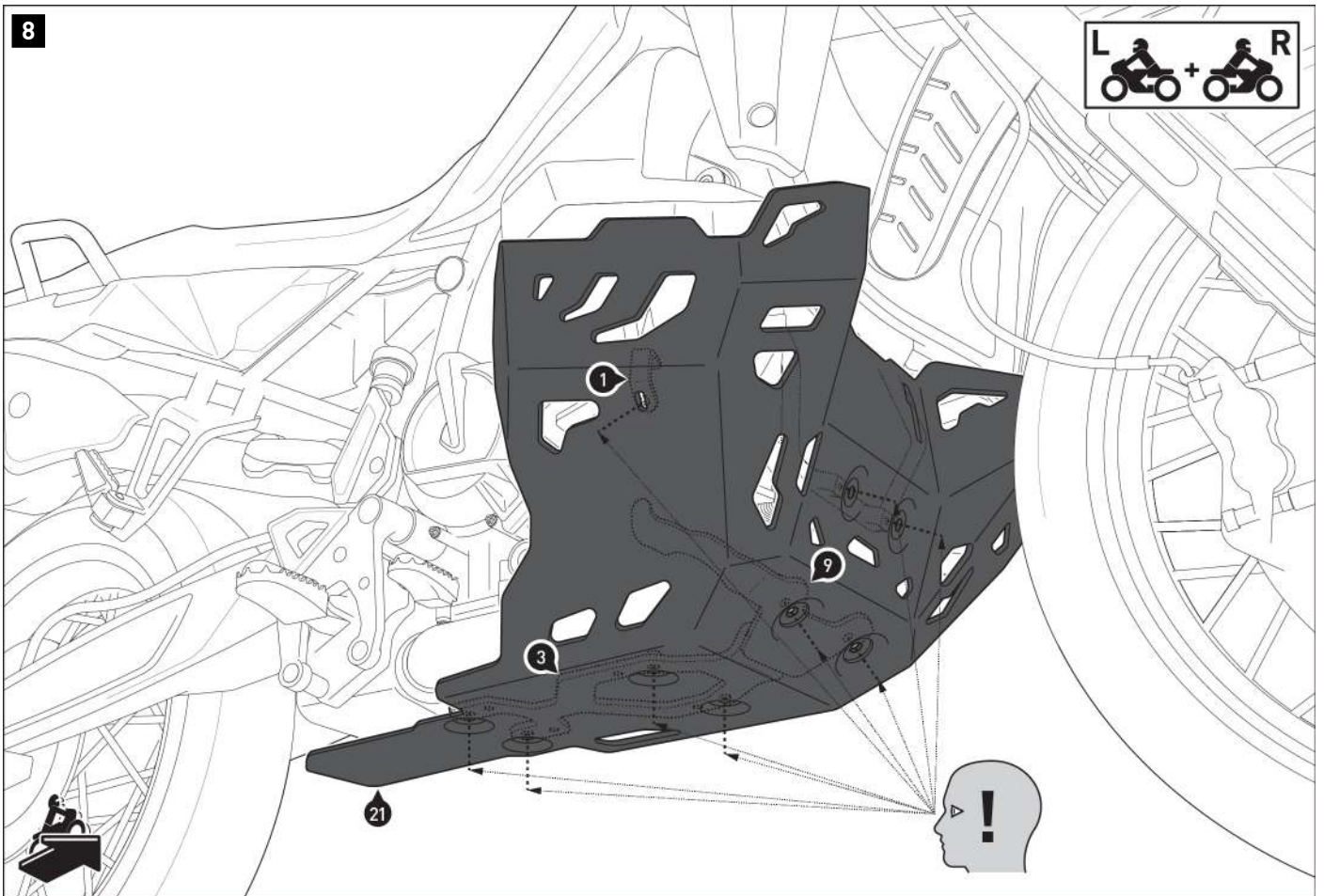


7



Thoroughly clean the surface of the engine guard (21) to remove any grease and dirt residue.  
 Remove the protective film from rubber pads (22) to (25).  
 Glue rubber pads (22) to (25) to the inside of the engine guard (21).

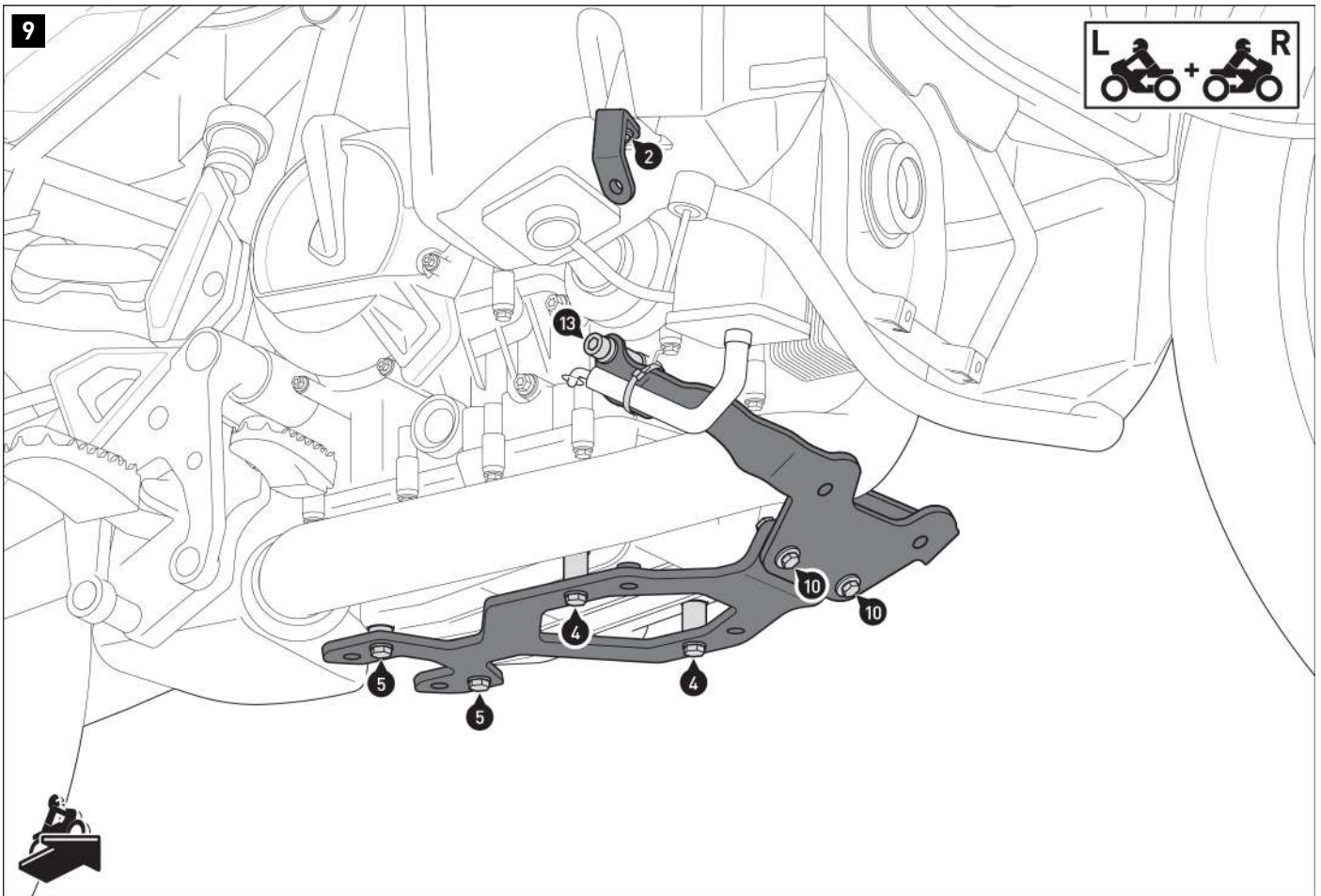




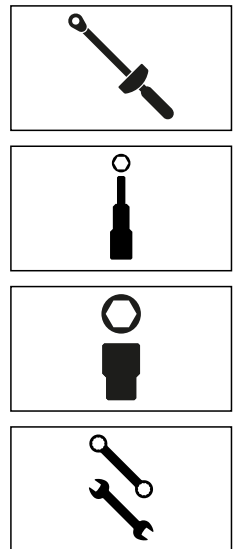
Together with another person, press the engine guard (21) onto all previously attached mounting angles (1), mounting brackets (3) and (9) and the original front attachment points.

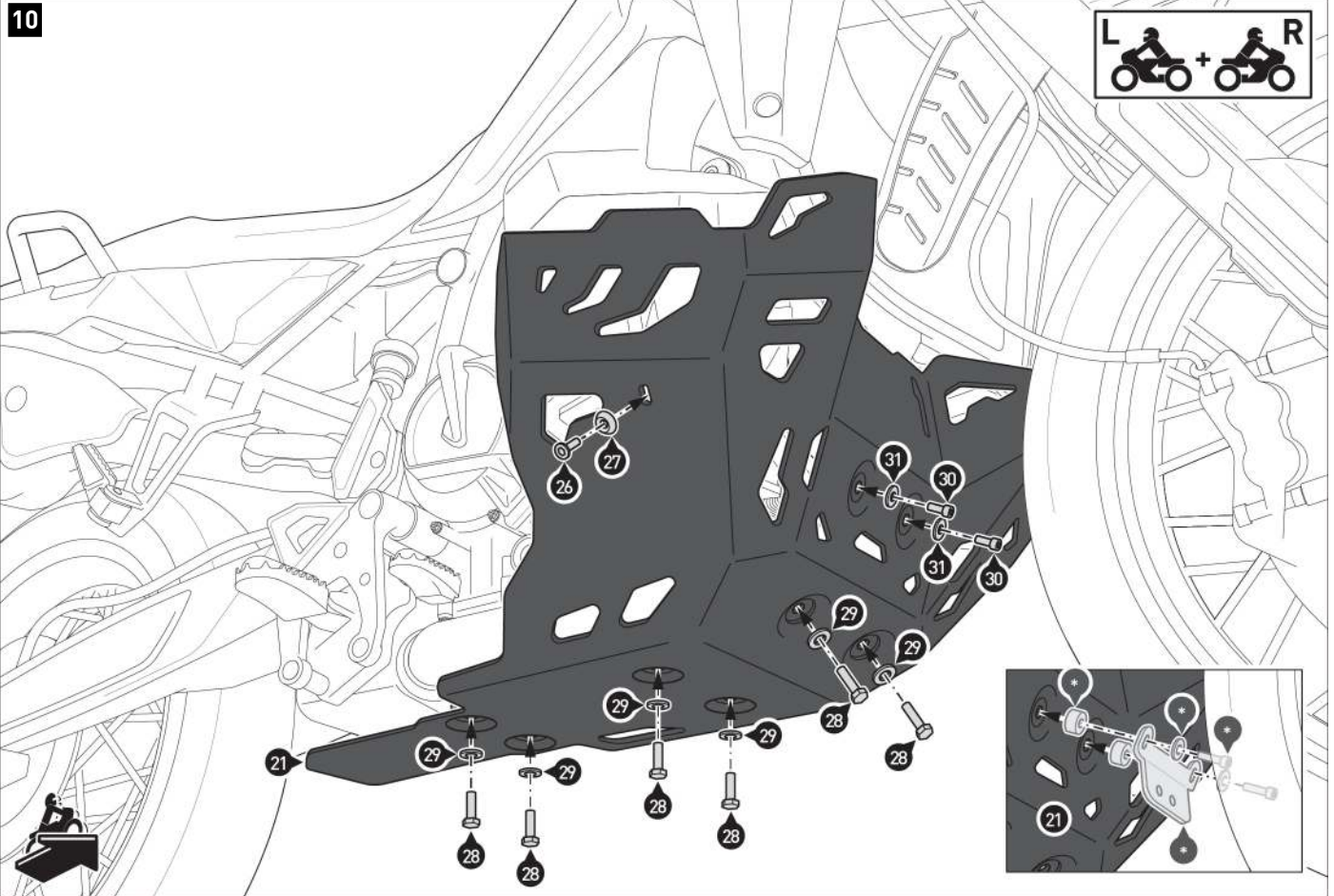
Ensure that the screw holes on the engine guard (21) are aligned with the attachment points on the mounting angles (1), mounting brackets (3) and (9) and the original front attachment points.  
If necessary, readjust individual components.

Remove the engine guard (21).



Tighten the screws on **both sides** in the following order: (13)/(17), (4), (5), (10), (2).





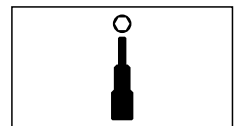
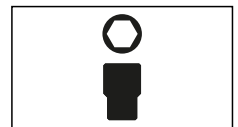
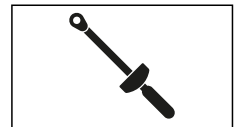
**⚠ NOTE:** The detailed drawing illustrates how to mount the engine guard with a SW-MOTECH crash bar. Use the mounting parts included with the crash bar (-) together with the indicated engine guard mounting parts.

Screw the engine guard (21) to the mounting angles (1), mounting brackets (3) and (9) and the original front attachment points.

**⚠ WARNING: Use liquid threadlocker!**

Once all components in place, tighten screws (28) and (26) as specified in the mounting instructions.

Tighten the screws (30) according to the vehicle manufacturer's specifications.



PRODUCT-SPECIFIC NOTES

**⚠ WARNING:** Ground clearance may be restricted by this product! Particular caution is required when cornering at extreme inclination and/or driving on uneven ground (e.g. curbs and bumps)!


**⚠ WARNING:** Motorcycle exhaust pipes often have large geometric tolerances. Make sure that there is sufficient distance between all parts in the affected areas!

**⚠ NOTE:** *Observe the country-specific regulations for the registration/operation of your vehicle and any applicable TÜV regulations. Have any parts requiring registration entered into your vehicle documents by your inspection centre after they have been installed.*

Item number: HDG.00.220.81302/B

Revision: 01 · Date: 09 - 2024

## Handguard mounting kit

 ~ 0.5 h.

EASY  DIFFICULT


**ENGLISH** Thank you for choosing this premium product from SW-MOTECH. Visit our online shop for more information (e.g. model assignments). Required documents (e.g. national type approval) are available there for you to download.


Please read and understand all the instructions, safety information and warnings in these mounting instructions before mounting and using the product in order to avoid injury and damage. Keep these mounting instructions for reference.


This product was developed for vehicles in factory condition. Compatibility with original accessories or accessories from other manufacturers cannot be guaranteed.


These mounting instructions have been prepared to the best of our current knowledge. No legal claims relating to accuracy can be made. Errors and omissions excepted. We reserve the right to make technical and design changes. The copyright is held by SW-MOTECH.


### SAFETY WARNING SYMBOL

 This warning symbol is used in these mounting instructions to warn of deadly dangers, injuries or other hazards. The words DANGER, WARNING or CAUTION are used as part of this warning symbol to convey important safety messages and information relating to the installation and use of this product. These words, together with the safety warning symbol, mean:


 **DANGER:** Indicates a hazardous situation which, if not avoided, will result in death or serious injury!


 **WARNING:** Indicates a hazardous situation which, if not avoided, may result in death or serious injury!

 **CAUTION:** Indicates a hazardous situation which, if not avoided, may result in minor or moderate injury!


 **NOTE:** Important information, but not relating to a risk of death or injury (property damage only)!

### GENERAL INFORMATION


 **WARNING:** Assembly and/or maintenance of this product requires advanced technical skill, appropriate tools, and a good understanding of tool usage and torque specifications. For your own safety, SW-MOTECH recommends having the assembly and/or maintenance carried out by a qualified and certified motorcycle workshop.


 **WARNING:** If you do choose to assemble this product yourself, carefully and fully read the mounting instructions before assembly and use, and follow all instructions to avoid serious injury or death. Also observe all relevant information in the vehicle manual when mounting or using the product. IF YOU DO NOT UNDERSTAND ANY PART OF THESE MOUNTING INSTRUCTIONS OR NEED AN EXPLANATION AS TO A SPECIFIC INSTRUCTION, DO NOT ATTEMPT TO INSTALL THIS PRODUCT WITHOUT CONSULTING SW-MOTECH FOR ASSISTANCE!

**PREPARATION:** Read the mounting instructions carefully and make sure that all parts on the parts list are available.


 **CAUTION:** Ensure that your vehicle is standing securely. Switch off the engine and remove the ignition key. Allow the engine/exhaust to cool down if necessary. Disconnect the battery when working on the electrical system. Only use proper tools and always wear safety goggles and gloves during assembly and maintenance. Have a second person help you with assembly and maintenance.

**ASSEMBLY:** All parts and connections removed from the vehicle must be reinstalled according to the vehicle manufacturer's specifications or replaced with parts and hardware supplied by SW-MOTECH.

 **WARNING:** Secure all threads with a medium-strength liquid threadlocker, unless otherwise specified.

 **DANGER:** Tightening torques not defined by SW-MOTECH must be obtained from the vehicle manufacturer or a certified motorbike workshop.


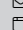
**FUNCTIONAL CHECK:** After mounting the product, ensure that no moving parts are obstructed and that the function of the vehicle is not impeded. Cables and hoses must not rub against each other and/or be hindered in any way.

 **WARNING:** Carry out a comprehensive functionality check before you start to drive. Check the tightening torque of all connections and the tight fit of the product after the first 50 km and then at regular intervals. Mounted accessories can change the handling and stability of the vehicle.



SW-MOTECH GmbH & Co. KG  
Ernteweg 7-10  
35282 Rauschenberg  
Germany



 [info@sw-motech.com](mailto:info@sw-motech.com)  
 [www.sw-motech.com](http://www.sw-motech.com)



Take note of the symbols and what they mean in the ASSEMBLY section. If the term OEM appears in the ASSEMBLY section, the vehicle manufacturer's specifications must be observed and applied.



If you have any questions, please don't hesitate to contact our Customer Service team or our distributors. You can find our telephone number and a list of our distributors in our online shop:

**[www.sw-motech.com](http://www.sw-motech.com)**



**Use thread locker:** Indicates that a thread must be coated with liquid thread locker. H (HIGH): high strength; M (MEDIUM): medium strength; L (LOW): low strength.



**Tighten/note the tightening torque information:**

Indicates the tightening torque of a part specified by SW-MOTECH or the vehicle manufacturer (OEM).



**Do not use thread lock:** Indicates that no liquid thread lock should be used at this point.

PARTS LIST - READ AND KEEP MOUNTING INSTRUCTIONS!

1

1



HDG.00.220.904.01.02

 1/1

2



HDG.00.220.905.01.02

 1/1

3



HDG.22.995.001L.25

 1/1

4



HDG.22.995.001R.25

 1/1

5




M6 x 20; DIN 7380  
SC.ST.06.020.02.7380.109


 2/2

2

6



HDG.00.220.026L.25

 1/1

7



HDG.00.220.026R.25

 1/1

8



M8 x 70; DIN 912  
SC.ST.08.070.02.912.088

 2/2

9



HDG.00.220.011.25

 2/2


10




HDG.00.220.073.35

 2/2

11



Ø 20 / ø 8,2 / h 13  
DB.ST.0200.0082.0130.02

 2/2

12



HDG.00.220.051.01

 2/2

13



HDG.00.220.019.01

 2/2

3

14



M6 x 22; DIN 7991  
SC.ST.06.022.48.7991.088

 2/2

15



ø 6.4; DIN 9021  
US.ST.064.02.9021

 2/2

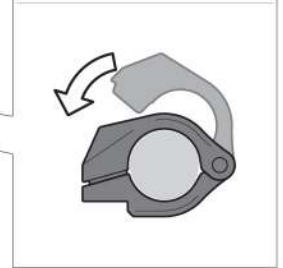
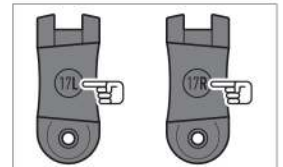
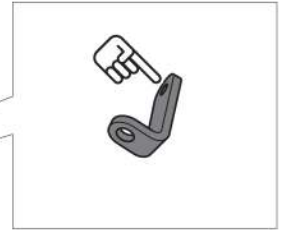
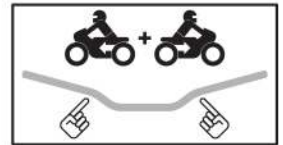
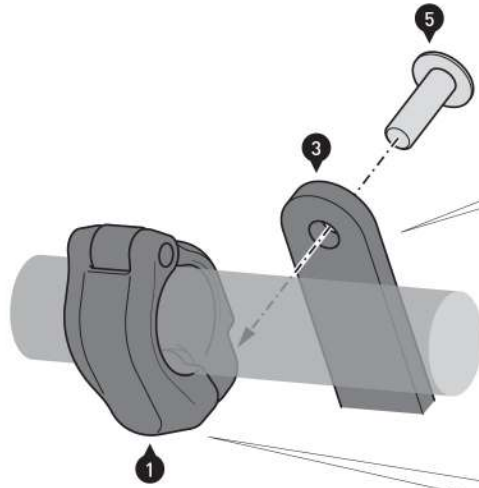
16



M6; DIN 6927  
MU.ST.06.02.6927.08

 2/2

1



**⚠ WARNING:** Since the handguard mounting kit is installed in a safety-relevant area of the vehicle, SW-MOTECH recommends having the installation/maintenance of the product carried out by a qualified specialist workshop.

**⚠ WARNING:** Always wear eye and hand protection!  
**⚠ WARNING:** Always use the proper tools!

**⚠ NOTE:** Installation is shown on the left side. Repeat the installation with the corresponding parts on the right side of the handlebar.

**⚠ NOTE:** The handlebar shown serves as an example.

**⚠ NOTE:** The connecting plate (3) shown in the drawing serves as an example. The correct representation and orientation of the connecting plate are shown in the detailed drawing on the right.

**⚠ NOTE:** Pay attention to the L/R markings on the clamps (1/2). Attach the clamp with the L marking on the left side of the handlebar in the direction of travel; attach the clamp with the R engraving to the right side of the handlebar in the direction of travel.

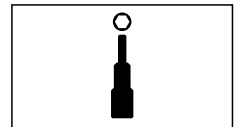
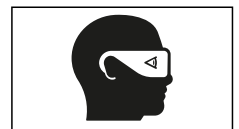
Place the clamps (1/2) around the handlebars at the locations shown in the detailed drawing above.

LOOSELY screw the connecting plates (3/4) to the clamps (1/2). The clamps (1/2) must be able to be moved for positioning.

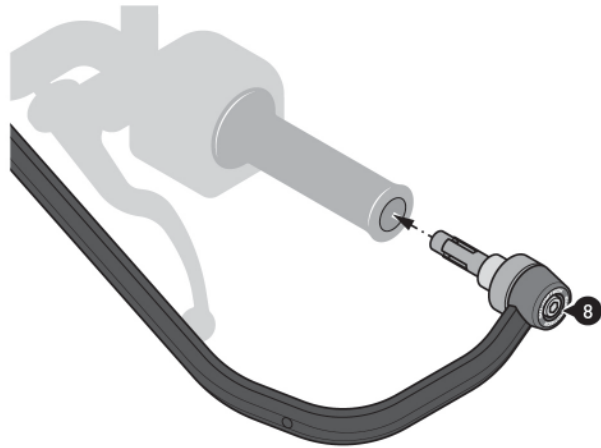
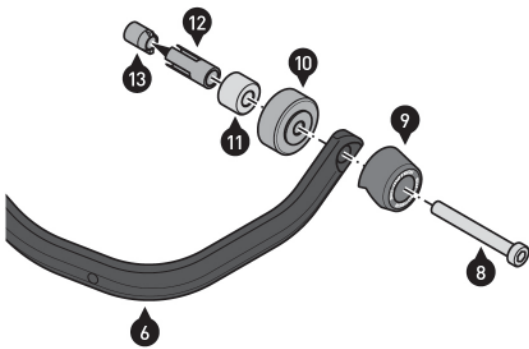
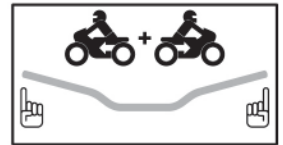
**⚠ WARNING:** Use a liquid threadlocker!  
 Tighten the screws (5) hand-tight.



M 8 Nm



2

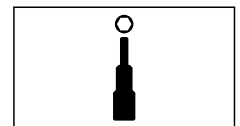


Remove the original end weights and handguards if mounted.  
Make sure the handlebar ends and the inside of the handlebars are clear.

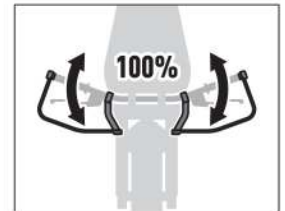
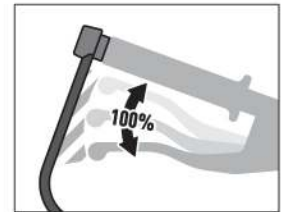
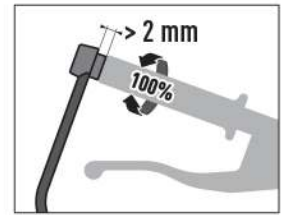
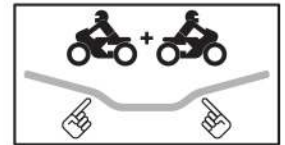
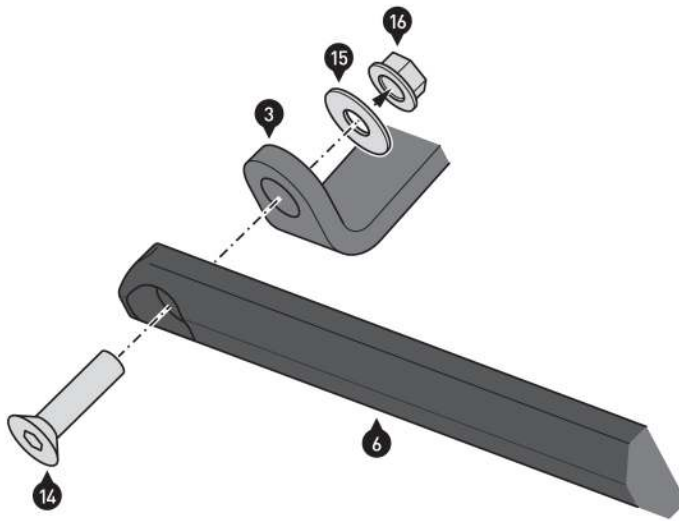
Loosely screw the parts indicated to the brackets (6/7) as shown in the drawing above.

**⚠ WARNING: Use a liquid threadlocker!**  
The screws (8) should only be loosely attached.

Install the brackets (6/7) on to the handlebar ends as shown in the drawing below.  
To do so, tighten the screws (8) so that the expansion sleeves (12) are firmly positioned on the inside, but the brackets (6/7) can still be readjusted.



3

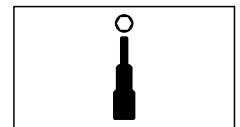
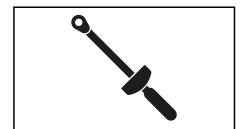


Screw the inner ends of the brackets (6/7) to the connecting plates (3/4). Do not tighten the screws (14) yet.

Now position the brackets (6/7) according to your personal preferences and tighten all screws in the following order and as specified in the mounting instructions: (14), (5), (8).

**⚠ DANGER:** If there is not enough space after installation of all components, the brake and clutch unit must be moved a few millimeters towards the end or middle of the handlebar!

**⚠ DANGER:** After installation, make sure that all switch and control units, especially the throttle assembly, brake lever, emergency stop switch and clutch, function properly and are easy to use! Also make sure that the handlebars can be fully turned in both directions. If parts of the product come into contact with the tank or other vehicle components when the steering wheel is at full lock, repositioning the product or the handlebars is absolutely necessary! Make sure that the installation complies with the vehicle manufacturer's specifications! DO NOT ride your vehicle if the switch and control units are not functioning correctly or cannot be operated correctly! BEFORE every ride, carry out a complete functional check of the handlebars and all fittings!




**PRODUCT-SPECIFIC NOTES**

**⚠ NOTE:** *Observe the country-specific regulations for the registration/operation of your vehicle or applicable TÜV regulations. After assembly, have parts that are subject to registration entered in the vehicle documents by your test centre.*

Item number: HDG.00.220.10000/B

Revision: 01 · Date: 12 - 2023

## Adventure handguard shell set

 ~ 0.25 h.EASY      DIFFICULT


**ENGLISH** Thank you for choosing this premium product from SW-MOTECH. Visit our online shop for more information (e.g. model assignments). Required documents (e.g. national type approval) are available there for you to download.


Please read and understand all the instructions, safety information and warnings in these mounting instructions before mounting and using the product in order to avoid injury and damage. Keep these mounting instructions for reference.


This product was developed for vehicles in factory condition. Compatibility with original accessories or accessories from other manufacturers cannot be guaranteed.


These mounting instructions have been prepared to the best of our current knowledge. No legal claims relating to accuracy can be made. Errors and omissions excepted. We reserve the right to make technical and design changes. The copyright is held by SW-MOTECH.


## SAFETY WARNING SYMBOL

 This warning symbol is used in these mounting instructions to warn of deadly dangers, injuries or other hazards. The words DANGER, WARNING or CAUTION are used as part of this warning symbol to convey important safety messages and information relating to the installation and use of this product. These words, together with the safety warning symbol, mean:


 **DANGER:** Indicates a hazardous situation which, if not avoided, will result in death or serious injury!


 **WARNING:** Indicates a hazardous situation which, if not avoided, may result in death or serious injury!

 **CAUTION:** Indicates a hazardous situation which, if not avoided, may result in minor or moderate injury!


 **NOTE:** Important information, but not relating to a risk of death or injury (property damage only)!

## GENERAL INFORMATION


 **WARNING:** Assembly and/or maintenance of this product requires advanced technical skill, appropriate tools, and a good understanding of tool usage and torque specifications. For your own safety, SW-MOTECH recommends having the assembly and/or maintenance carried out by a qualified and certified motorcycle workshop.


 **WARNING:** If you do choose to assemble this product yourself, carefully and fully read the mounting instructions before assembly and use, and follow all instructions to avoid serious injury or death. Also observe all relevant information in the vehicle manual when mounting or using the product. IF YOU DO NOT UNDERSTAND ANY PART OF THESE MOUNTING INSTRUCTIONS OR NEED AN EXPLANATION AS TO A SPECIFIC INSTRUCTION, DO NOT ATTEMPT TO INSTALL THIS PRODUCT WITHOUT CONSULTING SW-MOTECH FOR ASSISTANCE!

**PREPARATION:** Read the mounting instructions carefully and make sure that all parts on the parts list are available.


 **CAUTION:** Ensure that your vehicle is standing securely. Switch off the engine and remove the ignition key. Allow the engine/exhaust to cool down if necessary. Disconnect the battery when working on the electrical system. Only use proper tools and always wear safety goggles and gloves during assembly and maintenance. Have a second person help you with assembly and maintenance.

**ASSEMBLY:** All parts and connections removed from the vehicle must be reinstalled according to the vehicle manufacturer's specifications or replaced with parts and hardware supplied by SW-MOTECH.

 **WARNING:** Secure all threads with a medium-strength liquid threadlocker, unless otherwise specified.

 **DANGER:** Tightening torques not defined by SW-MOTECH must be obtained from the vehicle manufacturer or a certified motorbike workshop.

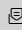

**FUNCTIONAL CHECK:** After mounting the product, ensure that no moving parts are obstructed and that the function of the vehicle is not impeded. Cables and hoses must not rub against each other and/or be hindered in any way.

 **WARNING:** Carry out a comprehensive functionality check before you start to drive. Check the tightening torque of all connections and the tight fit of the product after the first 50 km and then at regular intervals. Mounted accessories can change the handling and stability of the vehicle.



SW-MOTECH GmbH & Co. KG  
Ernteweg 7-10  
35282 Rauschenberg  
Germany



 [info@sw-motech.com](mailto:info@sw-motech.com)  
 [www.sw-motech.com](http://www.sw-motech.com)

**LEGEND OVERVIEW - READ AND KEEP MOUNTING INSTRUCTIONS!**



Take note of the symbols and what they mean in the ASSEMBLY section. If the term OEM appears in the ASSEMBLY section, the vehicle manufacturer's specifications must be observed and applied.



If you have any questions, please don't hesitate to contact our Customer Service team or our distributors. You can find our telephone number and a list of our distributors in our online shop:  
**[www.sw-motech.com](http://www.sw-motech.com)**















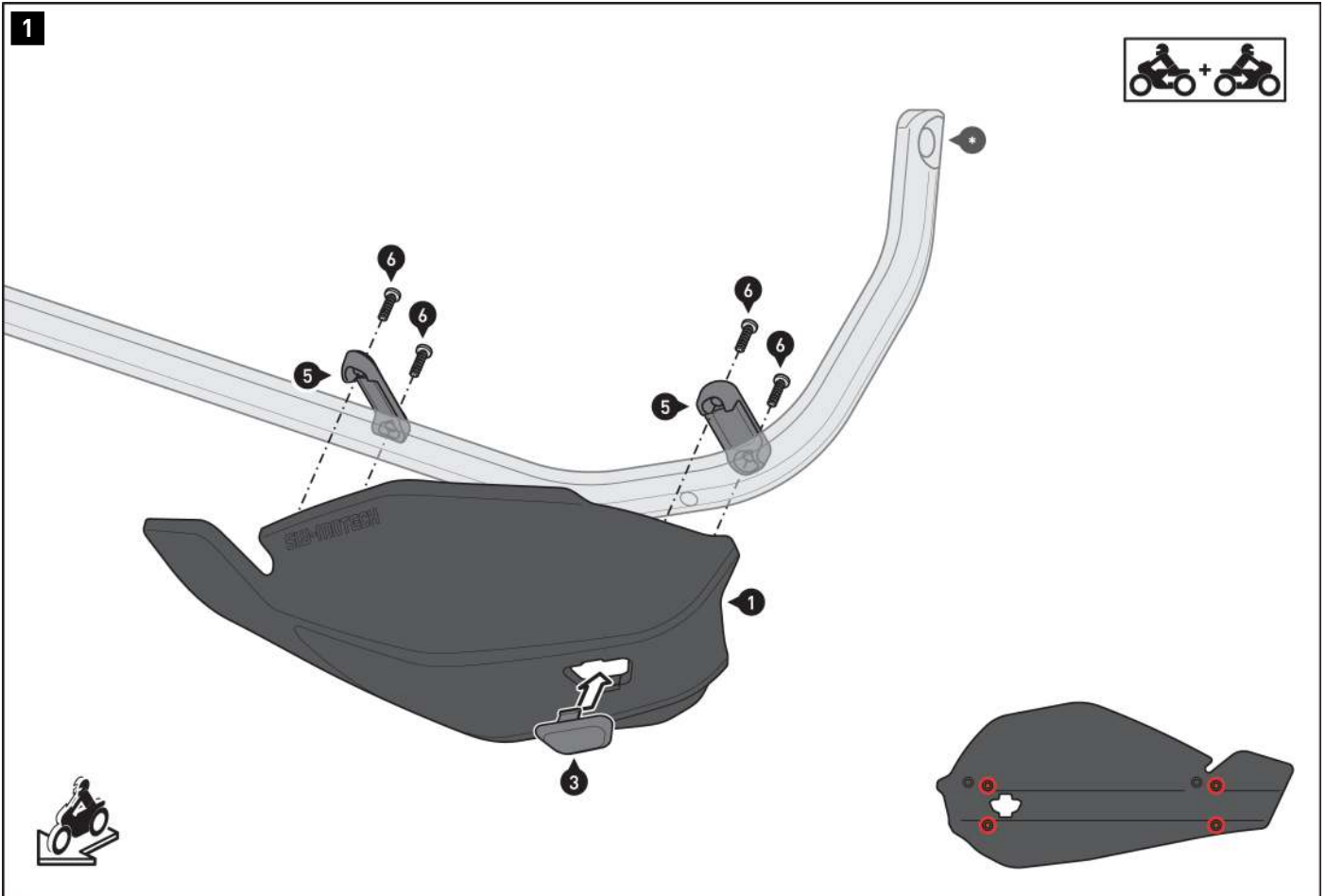
**Do not use thread lock:** Indicates that no liquid thread lock should be used at this point.



**Tighten by hand:** Indicates that the attachment must be carefully tightened by hand.

**PARTS LIST - READ AND KEEP MOUNTING INSTRUCTIONS!**

<b>1</b>	<b>1</b> 	<b>2</b> 	<b>3</b> 	<b>4</b> 	<b>5</b> 	<b>6</b> 
	HDG.00.220.002L.02	HDG.00.220.002R.02	HDG.00.220.008L.02	HDG.00.220.008R.02	HDG.00.220.009.02	M3,5 x 12 SC.ST.035.012.02
	 1/1	 1/1	 1/1	 1/1	 4/4	 8/8



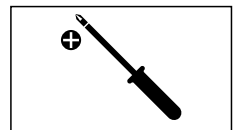
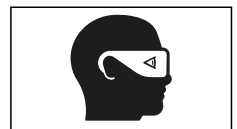
**▲ WARNING: Always wear eye and hand protection!**  
**▲ WARNING: Always use the proper tools!**

**△ NOTE:** Assembly is shown on the left side. Repeat the assembly with the corresponding parts on the right.

**△ NOTE:** Pay attention to the L marking (left) or R marking (right) of the plastic caps [3/4]. Insert the plastic caps [3/4] into the openings of the Adventure hand-guard shells [1/2].

Screw the Adventure hand-guard shells [1/2] onto the brackets [\*]. Carefully tighten the screws [5] hand-tight (max. 1 Nm).

**▲ WARNING: Tightening too tightly can damage the plastic parts!**



**PRODUCT-SPECIFIC NOTES**

**⚠ NOTE:** *Observe the country-specific regulations for the registration/operation of your vehicle or applicable TÜV regulations. After assembly, have parts that are subject to registration entered in the vehicle documents by your test centre.*

Art.-Nr. / Item No.: **STP.04.176.10501/B**

Revision: **01** · Datum / Date: **11 - 2021**

**Sturzpad-Kit für Vorderachse**

**Slider set for front axle**

**DEUTSCH** - Vielen Dank, dass Sie sich für dieses Premium-Produkt von SW-MOTECH entschieden haben. Bitte besuchen Sie unseren Webshop für weitere Informationen wie Modellzuweisungen und PDF-Anbauanleitung. Erforderliche Dokumente (z. B. ABE) stehen als Download zur Verfügung.

Die Montage und/oder Wartung dieses Produkts erfordert ein gutes technisches Verständnis! Zu Ihrer eigenen Sicherheit empfiehlt SW-MOTECH, die Montage und/oder Wartung durch eine Fachwerkstatt durchführen zu lassen! SW-MOTECH übernimmt keine Haftung für Schäden, die durch eine unsachgemäße Montage und/oder Wartung verursacht wurden!

Beachten Sie alle in der Anbauanleitung angegebenen Hinweise und die für die Montage relevanten Informationen im Fahrzeughandbuch. Nichtbeachtung kann zu Schäden am Fahrzeug bzw. zur Gefährdung des Fahrers führen! Diese Anbauanleitung ist nach unserem derzeitigen Kenntnisstand verfasst worden. Rechtliche Ansprüche auf Richtigkeit bestehen nicht.

Dieses Produkt wurde für Fahrzeuge im Werkzustand entwickelt. Die Kompatibilität mit Original-Zubehörteilen bzw. den Zubehörteilen anderer Hersteller kann nicht gewährleistet werden. Stellen Sie des Weiteren VOR Montage dieses Produkts sicher, dass sich alle beweglichen Teile (z. B. die Kette) im ursprünglichen Wartungszustand befinden. Montiertes Zubehör kann das Fahrverhalten und/oder die Stabilität Ihres Fahrzeugs verändern.

**ALLGEMEINE HINWEISE**

Beachten Sie die landesspezifischen Vorschriften für Zulassung/Betrieb Ihres Fahrzeugs bzw. anwendbare TÜV-Vorschriften. Lassen Sie eintragungspflichtige Teile nach Montage durch Ihre Prüfstelle in die Fahrzeugpapiere eintragen.

**VORBEREITUNG:** Lesen Sie die Anbauanleitung aufmerksam und stellen Sie sicher, dass alle Teile der Stückliste vorhanden sind. Achten Sie darauf, dass Ihr Fahrzeug sicher steht und nicht umfallen kann. Schalten Sie den Motor ab und ziehen Sie den Zündschlüssel. Lassen Sie ggf. den Motor/Auspuff abkühlen. Klemmen Sie bei Arbeiten an der Elektrik die Fahrzeugbatterie ab. Verwenden Sie geeignetes Werkzeug. Lassen Sie sich von einer zweiten Person helfen.

**MONTAGE:** Alle vom Motorrad gelösten Teile und Verbindungen sind gemäß den Fahrzeugherstellereangaben wieder zu montieren oder durch die von SW-MOTECH gelieferten Teile zu ersetzen. Sichern Sie, falls nicht anderweitig definiert, alle Gewinde mit mittelfester, flüssiger Schraubensicherung.

**Alle nicht durch SW-MOTECH definierten Anzugsmoment-Vorgaben müssen beim Fahrzeughersteller oder einer Fachwerkstatt erfragt werden!**

**FUNKTIONSKONTROLLE:** Stellen Sie nach der Montage sicher, dass alle zuvor gelösten Teile und Verbindungen wieder ordnungsgemäß montiert wurden. Achten Sie außerdem auf die uneingeschränkte Freigängigkeit und einwandfreie Funktion sämtlicher Fahrzeugteile. Kabel, Züge und Schläuche dürfen nicht scheuern und/oder geklemmt werden. Führen Sie vor Fahrtbeginn eine umfassende Funktionskontrolle durch. Überprüfen Sie nach den ersten 50 km und anschließend in regelmäßigen Abständen das Anzugsmoment aller Schraubverbindungen und den ordnungsgemäßen Sitz des Produkts.

**ENGLISH** - Thank you for choosing this premium product from SW-MOTECH. Please visit our webshop for additional information, such as application charts and PDF mounting instructions. Any other documents that may be required (e.g. ABE certifications), are also available for download at our webshop.

Installation and/or maintenance of this product require good technical understanding! For your own safety SW-MOTECH recommends having installation and/or servicing carried out by a specialist workshop! SW-MOTECH assumes no liability for damage caused by improper installation and/or maintenance work!

Carefully follow all the directions given in the mounting instructions and pay attention to all relevant information in the vehicle manual during assembly. Nonconformance can lead to vehicle damage or even endanger the driver! These mounting instructions are written based on our current state of knowledge. Legal requirements for accuracy do not exist.

This product was developed for vehicles in their factory setting. Compatibility with original accessory parts or other manufacturers' accessory parts is not guaranteed. Furthermore, BEFORE installing this product, make sure that all moving parts (e.g. the chain) are in the original state of maintenance. Installed accessories can change the driving behaviour and/or stability of your vehicle.

**GENERAL INFORMATION**

Observe the country-specific regulations concerning vehicle registration/operation as well as TÜV regulations if applicable. If required, register installed parts in the vehicle documents through an appropriate inspection authority.

**PREPARATION:** Read the mounting instructions carefully and make sure that all items of the parts list are included. Make sure that your vehicle is parked safely and cannot fall over. Turn off the engine and remove the ignition key. Let the motor/exhaust cool off if necessary. Disconnect the vehicle battery when working on the electrical system. Use appropriate tools. Have another person to help you.

**MOUNTING:** All parts and connections removed from the vehicle must be reinstalled in accordance with the vehicle manufacturers' specifications or replaced by parts delivered by SW-MOTECH. Secure all threads, unless otherwise specified, with medium-strength liquid thread locker.

**Torque specifications undefined by SW-MOTECH must be obtained from the vehicle manufacturer or by a specialist workshop!**

**FUNCTION CHECK:** After installation make sure that all parts and connections previously removed are properly replaced. Also make sure that no moving parts are obstructed and no function of the vehicle is hindered in any way. Cables and hoses must not rub and/or be pinched. Before starting to ride, perform a comprehensive check of all functions. After the first 50 km and then at regular intervals, check the tightening torque of all screw connections and the proper fit of the product.

Konfektionierung durch / Packed by:

Datum der Konfektionierung / Date of packaging:



**SW-MOTECH GmbH & Co. KG**

Ernteweg 7-10  
35282 Rauschenberg  
Germany

Tel. / phone + 49 (0)6425 / 8168 - 050

Fax / fax + 49 (0)6425 / 8168 - 10

**info@sw-motech.com**

**www.sw-motech.com**

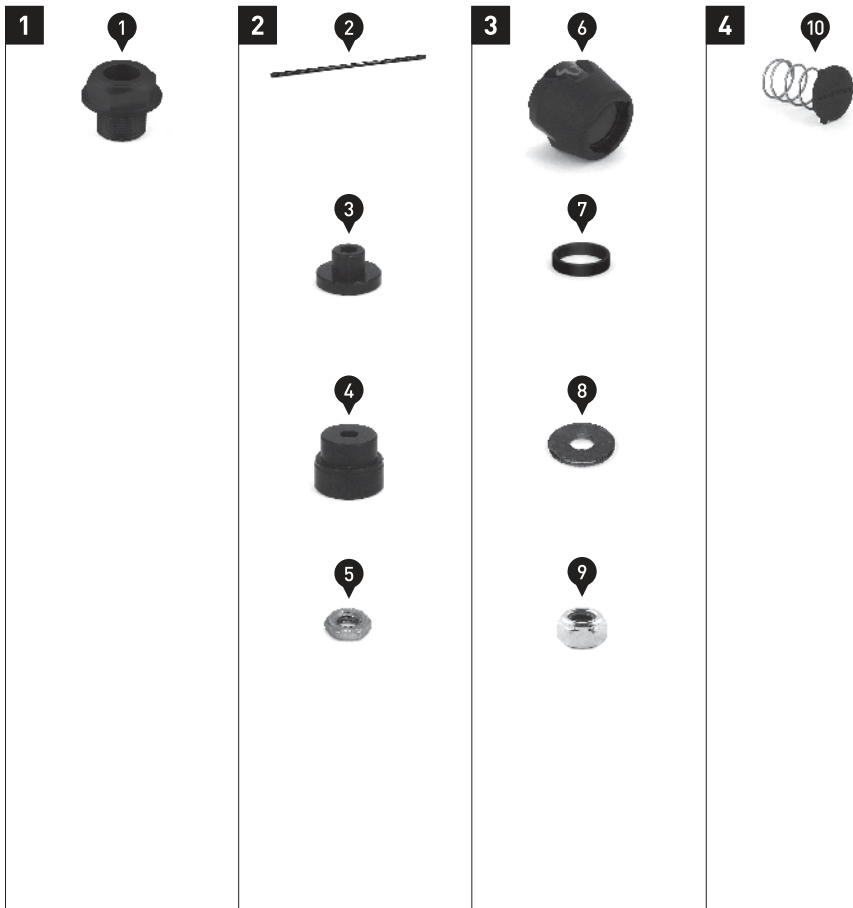
## STÜCKLISTE / PARTS LIST

Schritt Step	Nr. No.	Art.-Nr. / Bezeichnung <sup>a</sup> Item No. / Description <sup>a</sup>	Artikel	Part	Anzahl <sup>b</sup> Quantity <sup>b</sup>	N·m <sup>c</sup>
<b>1</b>	(1)	STP.00.176.051	Achsschraube	Axle Bolt	1 / 1	45
<b>2</b>	(2)	GST.ST.08.345	Gewindestange; Länge 345 mm	Threaded Rod; length 345 mm	1 / 1	
	(3)	STP.00.176.020	Buchse, gestuft; links; Höhe 19 mm	Spacer, stepped; left; height 19 mm	1 / 1	
	(4)	STP.00.176.021	Buchse, gestuft; rechts; Höhe 28 mm	Spacer, stepped; right; height 28 mm	1 / 1	
	(5)	M8; DIN 439	Mutter, niedrige Form	Nut, low form	2 / 2	18
<b>3</b>	(6)	STP.00.176.004	Sturzpad	Slider	2 / 2	
	(7)	∅ 19 / ∅ 15,2 / h 4,4	Auflagebuchse; schwarz	Support Spacer; black	2 / 2	
	(8)	∅ 8,4; DIN 9021	Unterlegscheibe; schwarz	Washer; black	2 / 2	
	(9)	M8; DIN 985	Mutter, selbstsichernd	Lock Nut	2 / 2	18
<b>4</b>	(10)	STP.00.176.005 / ...006	Abdeckkappe mit Feder	Cover Cap with Spring	2 / 2	

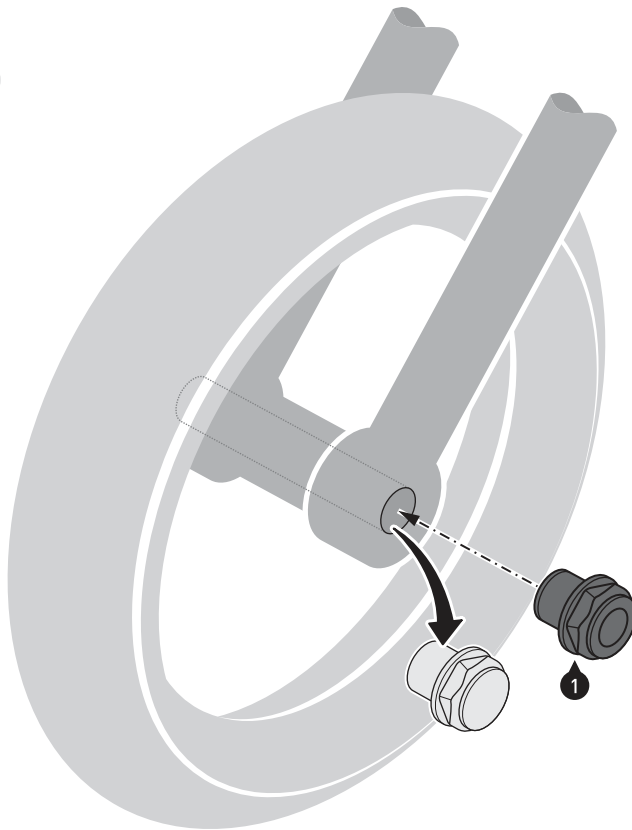
8.8	Regelgewinde / Coarse Thread ∅						N·m	M4	M5	M6	M8	M10	M12	10.9	Regelgewinde / Coarse Thread ∅						N·m	M4	M5	M6	M8	M10	M12
	Stahl FK 8.8 / Steel CL 8.8														Stahl FK 10.9 / Steel CL 10.9												
							2,8	5,5	9,6	23	46	79		4,1	8,1	14	34	67	115								

Anmerkungen: <sup>a</sup> Alle Maßangaben in Millimeter. <sup>b</sup> Der zweite Wert gibt die Gesamtanzahl des jew. Artikels in der Lieferung an. <sup>c</sup> **Keine Anzugsmomentvorgabe: Verwenden Sie das vom Fzg.-Hersteller definierte Anzugsmoment!** Das Std.-Anzugsmoment der Tabelle kann verwendet werden, wenn es den Fzg.-Hersteller-Vorgaben entspricht.

Note: <sup>a</sup> All measurements in millimeters. <sup>b</sup> The second number indicates the total quantity of the part in the delivery. <sup>c</sup> **No torque specifications: Use the torque defined by vehicle manufacturer!** The standard torque in this table can be used as long as it is within the vehicle manufacturer's specifications.



1



Entfernen Sie auf der linken Fahrzeugseite die original Achsschraube.  
 Verschrauben Sie nun die Achsschraube (1) am Fahrzeug, wie in der Zeichnung gezeigt.  
**ACHTUNG: Verwenden Sie flüssige Schraubensicherung!**  
 Ziehen Sie die Achsschraube (1) nach Herstellerangaben an.

Remove the original axle bolt on the left side of the vehicle.

Then mount the axle bolt (1) to the vehicle, as shown in the drawing.

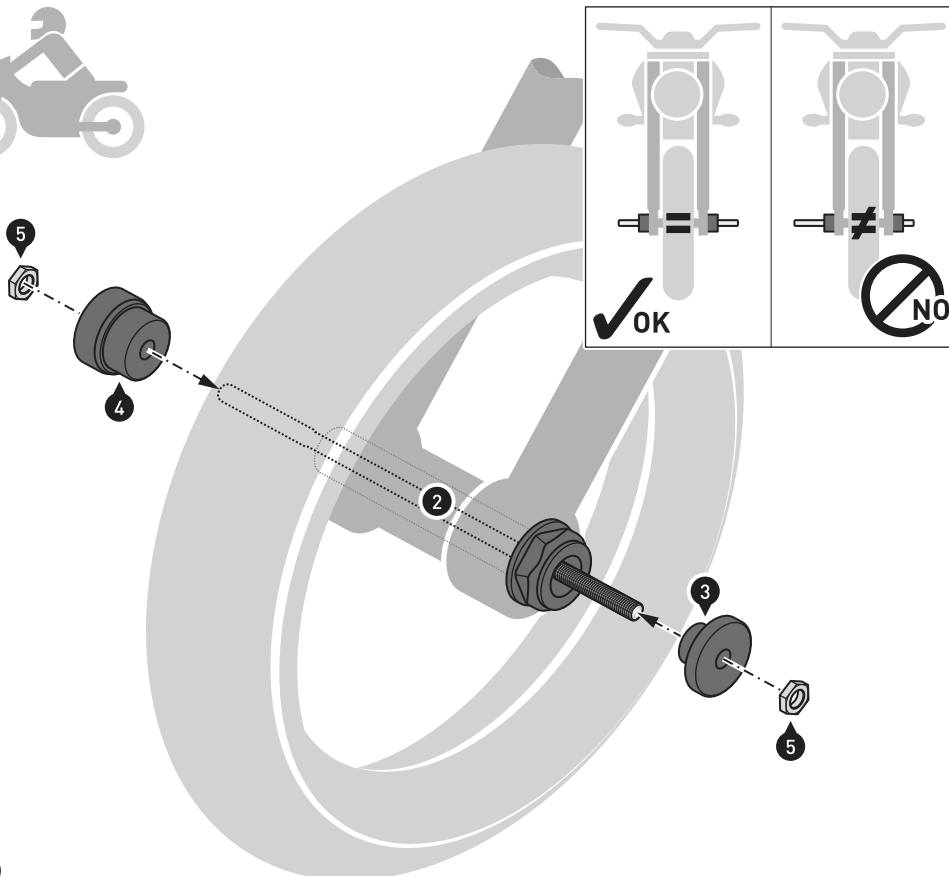
**ATTENTION: Use liquid thread locker!**

Tighten the axle bolt (1) with the manufacturers' specified torque.

1		45 N·m
		Medium

Das Fahrzeug dient als Beispiel. / Example vehicle shown.

2



Führen Sie die Gewindestange (2) durch die **vordere** Achsaufnahme Ihres Fahrzeugs.

Stecken Sie nun die Buchsen (3) und (4) auf die Gewindestange (2) auf, wie in der Zeichnung gezeigt.

**ACHTUNG: Achten Sie auf die zentrierte Ausrichtung der Gewindestange (2)!**

Montieren Sie anschließend die gezeigten Komponenten mit den Muttern (5) am Fahrzeug.

**ACHTUNG: Verwenden Sie flüssige Schraubensicherung!**

Ziehen Sie die Muttern (5) wie vorgegeben an.

Guide the threaded rod (2) through the **front** axle mount of your vehicle.

Then plug the spacers (3) and (4) onto the threaded rod (2), as shown in the drawing.

**ATTENTION: Pay attention to the centered alignment of the threaded rod (2)!**

Then mount the shown components with the nuts (5) to the vehicle.

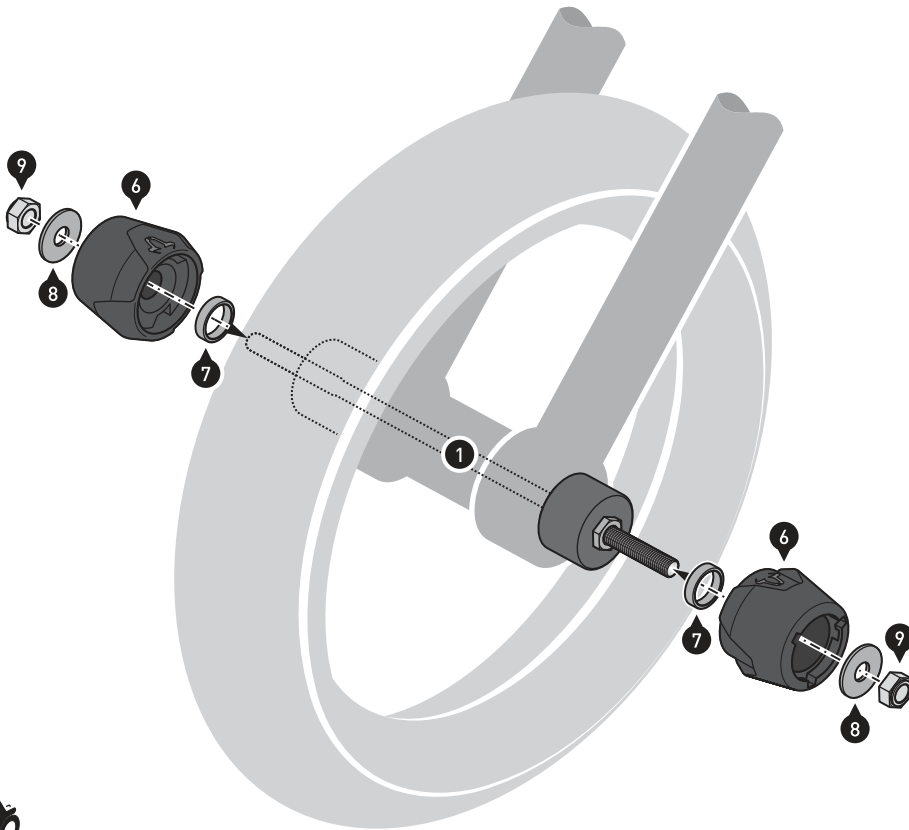
**ATTENTION: Use liquid thread locker!**

Tighten the nuts (5) as specified.

5		18 N·m
		Medium

Das Fahrzeug und die montierten Buchsen dienen als Beispiele. / The vehicle and the mounted spacers are examples.

2



Montieren Sie die Sturz pads (5) mit den Muttern (9) **beidseitig** an der Gewindestange (1). Ziehen Sie die Muttern (9) wie vorgegeben an.

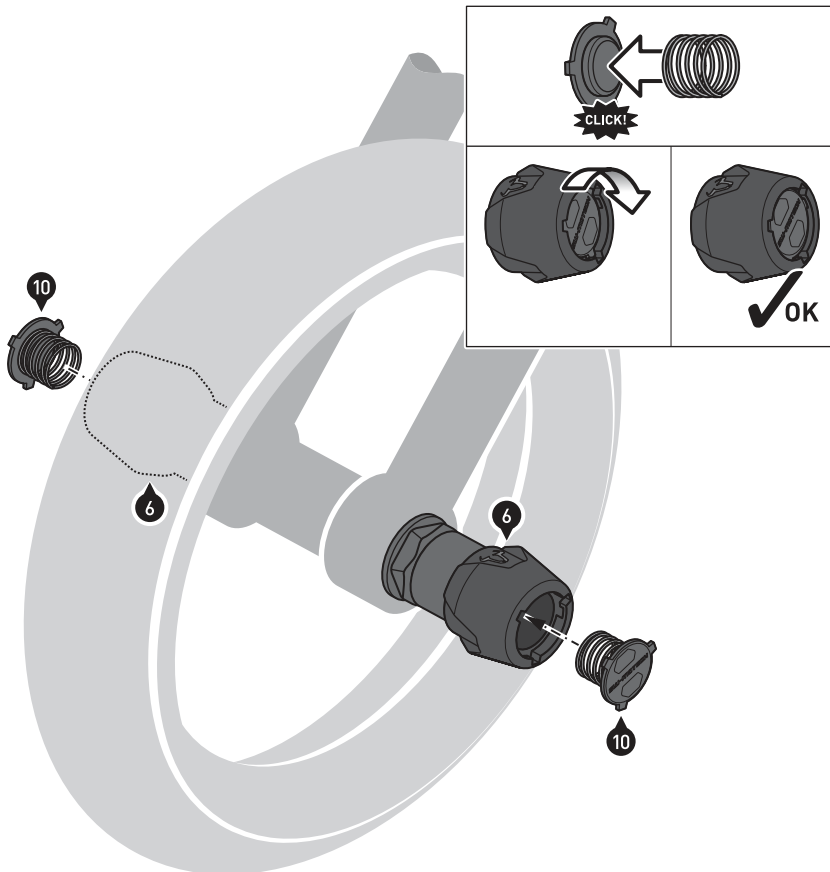
Mount the sliders (5) with the nuts (9) on **both sides** to the threaded rod (1). Tighten the nuts (9) as specified.



Das Fahrzeug und die montierten Buchsen dienen als Beispiele. / The vehicle and the mounted spacers are examples.

9	18 N-m

4



Setzen Sie **beidseitig** die Abdeckkappen (10) in die Öffnungen der montierten Sturz pads (6) ein und drehen Sie diese bis in die Endposition. **ACHTUNG: Achten Sie auf den festen Sitz der Abdeckkappen (10).**

Insert the cover caps (10) on **both sides** into the openings of the mounted sliders (6) and turn them to their end position. **ATTENTION: Make sure that the cover caps (10) fit firmly.**



Das Fahrzeug und die montierten Buchsen dienen als Beispiele. / The vehicle and the mounted spacers are examples.

Art.-Nr. / Item No.: **STP.04.176.10801/B**

Revision: **01** · Datum / Date: **11 - 2021**

**Sturzpad-Kit für Hinterachse**

**Slider set for rear axle**

**DEUTSCH** - Vielen Dank, dass Sie sich für dieses Premium-Produkt von SW-MOTECH entschieden haben. Bitte besuchen Sie unseren Webshop für weitere Informationen wie Modellzuweisungen und PDF-Anbauanleitung. Erforderliche Dokumente (z. B. ABE) stehen als Download zur Verfügung.

Die Montage und/oder Wartung dieses Produkts erfordert ein gutes technisches Verständnis! Zu Ihrer eigenen Sicherheit empfiehlt SW-MOTECH, die Montage und/oder Wartung durch eine Fachwerkstatt durchführen zu lassen! SW-MOTECH übernimmt keine Haftung für Schäden, die durch eine unsachgemäße Montage und/oder Wartung verursacht wurden!

Beachten Sie alle in der Anbauanleitung angegebenen Hinweise und die für die Montage relevanten Informationen im Fahrzeughandbuch. Nichtbeachtung kann zu Schäden am Fahrzeug bzw. zur Gefährdung des Fahrers führen! Diese Anbauanleitung ist nach unserem derzeitigen Kenntnisstand verfasst worden. Rechtliche Ansprüche auf Richtigkeit bestehen nicht.

Dieses Produkt wurde für Fahrzeuge im Werkzustand entwickelt. Die Kompatibilität mit Original-Zubehörteilen bzw. den Zubehörteilen anderer Hersteller kann nicht gewährleistet werden. Stellen Sie des Weiteren VOR Montage dieses Produkts sicher, dass sich alle beweglichen Teile (z. B. die Kette) im ursprünglichen Wartungszustand befinden. Montiertes Zubehör kann das Fahrverhalten und/oder die Stabilität Ihres Fahrzeugs verändern.

**ALLGEMEINE HINWEISE**

Beachten Sie die landesspezifischen Vorschriften für Zulassung/Betrieb Ihres Fahrzeugs bzw. anwendbare TÜV-Vorschriften. Lassen Sie eintragungspflichtige Teile nach Montage durch Ihre Prüfstelle in die Fahrzeugpapiere eintragen.

**VORBEREITUNG:** Lesen Sie die Anbauanleitung aufmerksam und stellen Sie sicher, dass alle Teile der Stückliste vorhanden sind. Achten Sie darauf, dass Ihr Fahrzeug sicher steht und nicht umfallen kann. Schalten Sie den Motor ab und ziehen Sie den Zündschlüssel. Lassen Sie ggf. den Motor/Auspuff abkühlen. Klemmen Sie bei Arbeiten an der Elektrik die Fahrzeugbatterie ab. Verwenden Sie geeignetes Werkzeug. Lassen Sie sich von einer zweiten Person helfen.

**MONTAGE:** Alle vom Motorrad gelösten Teile und Verbindungen sind gemäß den Fahrzeugherstellereangaben wieder zu montieren oder durch die von SW-MOTECH gelieferten Teile zu ersetzen. Sichern Sie, falls nicht anderweitig definiert, alle Gewinde mit mittelfester, flüssiger Schraubensicherung.

**Alle nicht durch SW-MOTECH definierten Anzugsmoment-Vorgaben müssen beim Fahrzeughersteller oder einer Fachwerkstatt erfragt werden!**

**FUNKTIONSKONTROLLE:** Stellen Sie nach der Montage sicher, dass alle zuvor gelösten Teile und Verbindungen wieder ordnungsgemäß montiert wurden. Achten Sie außerdem auf die uneingeschränkte Freigängigkeit und einwandfreie Funktion sämtlicher Fahrzeugteile. Kabel, Züge und Schläuche dürfen nicht scheuern und/oder geklemmt werden. Führen Sie vor Fahrtbeginn eine umfassende Funktionskontrolle durch. Überprüfen Sie nach den ersten 50 km und anschließend in regelmäßigen Abständen das Anzugsmoment aller Schraubverbindungen und den ordnungsgemäßen Sitz des Produkts.

**ENGLISH** - Thank you for choosing this premium product from SW-MOTECH. Please visit our webshop for additional information, such as application charts and PDF mounting instructions. Any other documents that may be required (e.g. ABE certifications), are also available for download at our webshop.

Installation and/or maintenance of this product require good technical understanding! For your own safety SW-MOTECH recommends having installation and/or servicing carried out by a specialist workshop! SW-MOTECH assumes no liability for damage caused by improper installation and/or maintenance work!

Carefully follow all the directions given in the mounting instructions and pay attention to all relevant information in the vehicle manual during assembly. Nonconformance can lead to vehicle damage or even endanger the driver! These mounting instructions are written based on our current state of knowledge. Legal requirements for accuracy do not exist.

This product was developed for vehicles in their factory setting. Compatibility with original accessory parts or other manufacturers' accessory parts is not guaranteed. Furthermore, BEFORE installing this product, make sure that all moving parts (e.g. the chain) are in the original state of maintenance. Installed accessories can change the driving behaviour and/or stability of your vehicle.

**GENERAL INFORMATION**

Observe the country-specific regulations concerning vehicle registration/operation as well as TÜV regulations if applicable. If required, register installed parts in the vehicle documents through an appropriate inspection authority.

**PREPARATION:** Read the mounting instructions carefully and make sure that all items of the parts list are included. Make sure that your vehicle is parked safely and cannot fall over. Turn off the engine and remove the ignition key. Let the motor/exhaust cool off if necessary. Disconnect the vehicle battery when working on the electrical system. Use appropriate tools. Have another person to help you.

**MOUNTING:** All parts and connections removed from the vehicle must be reinstalled in accordance with the vehicle manufacturers' specifications or replaced by parts delivered by SW-MOTECH. Secure all threads, unless otherwise specified, with medium-strength liquid thread locker.

**Torque specifications undefined by SW-MOTECH must be obtained from the vehicle manufacturer or by a specialist workshop!**

**FUNCTION CHECK:** After installation make sure that all parts and connections previously removed are properly replaced. Also make sure that no moving parts are obstructed and no function of the vehicle is hindered in any way. Cables and hoses must not rub and/or be pinched. Before starting to ride, perform a comprehensive check of all functions. After the first 50 km and then at regular intervals, check the tightening torque of all screw connections and the proper fit of the product.

Konfektionierung durch / Packed by:

Datum der Konfektionierung / Date of packaging:



**SW-MOTECH GmbH & Co. KG**

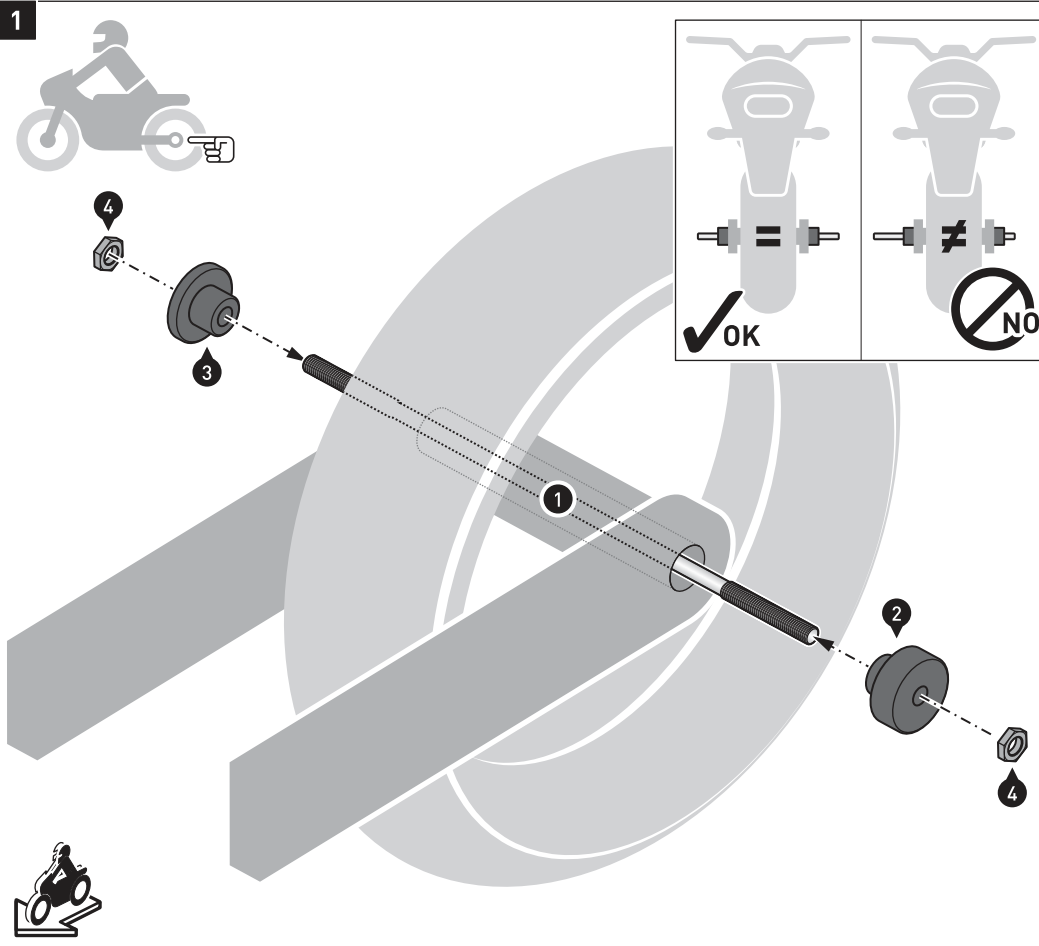
Ernteweg 7-10  
35282 Rauschenberg  
Germany

Tel. / phone + 49 (0)6425 / 8168 - 050

Fax / fax + 49 (0)6425 / 8168 - 10

**info@sw-motech.com**  
**www.sw-motech.com**





Führen Sie die Gewindestange (1) durch die **hintere** Achsaufnahme Ihres Fahrzeugs.

Stecken Sie nun die Buchsen (2) und (3) auf die Gewindestange (1) auf, wie in der Zeichnung gezeigt.

**ACHTUNG: Achten Sie auf die zentrierte Ausrichtung der Gewindestange (1)!**

Montieren Sie anschließend die gezeigten Komponenten mit den Muttern (4) am Fahrzeug.

**ACHTUNG: Verwenden Sie flüssige Schraubensicherung!**

Ziehen Sie die Muttern (4) wie vorgegeben an.

Guide the threaded rod (1) through the **rear** axle mount of your vehicle.

Then plug the spacers (2) and (3) onto the threaded rod (1), as shown in the drawing.

**ATTENTION: Pay attention to the centered alignment of the threaded rod (1)!**

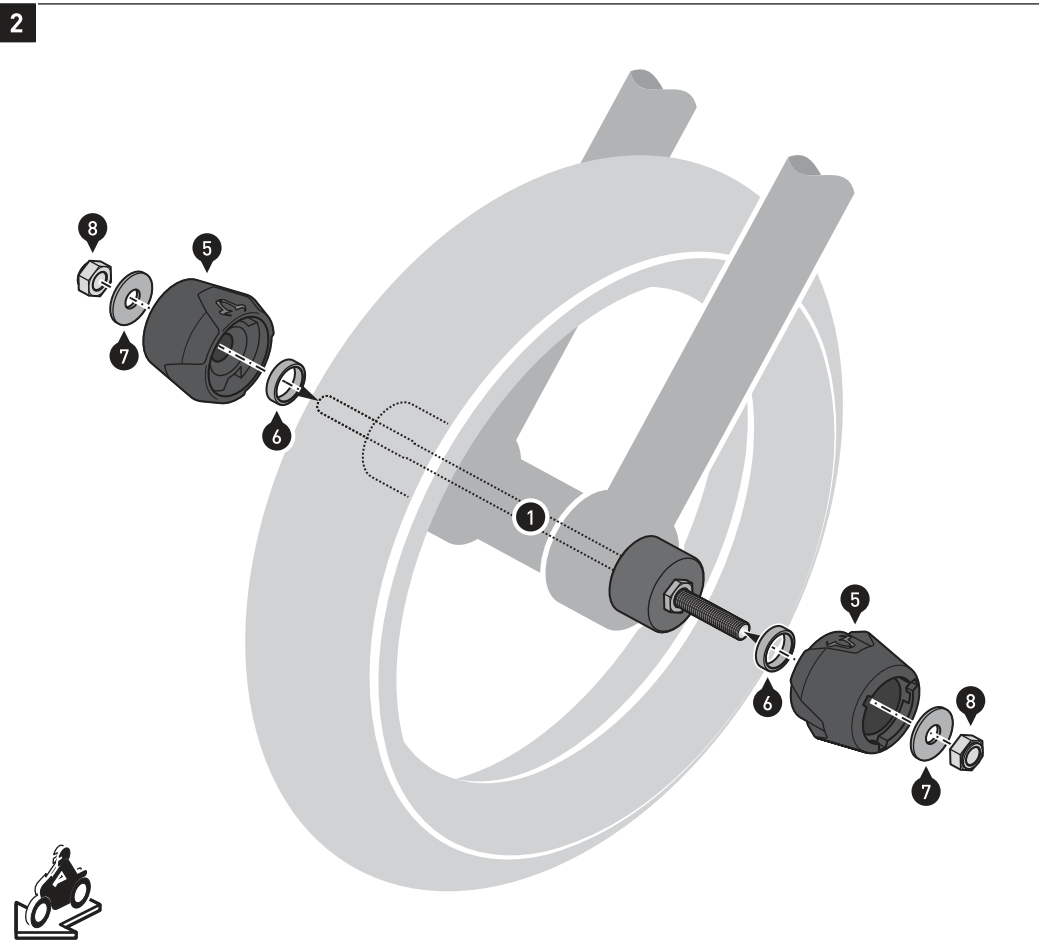
Then mount the shown components with the nuts (4) to the vehicle.

**ATTENTION: Use liquid thread locker!**

Tighten the nuts (4) as specified.

4	18 N-m
	Medium

Das Fahrzeug dient als Beispiel. / Example vehicle shown.



Montieren Sie die Sturz pads (5) mit den Muttern (8) **beidseitig** an der Gewindestange (1). Ziehen Sie die Muttern (8) wie vorgegeben an.

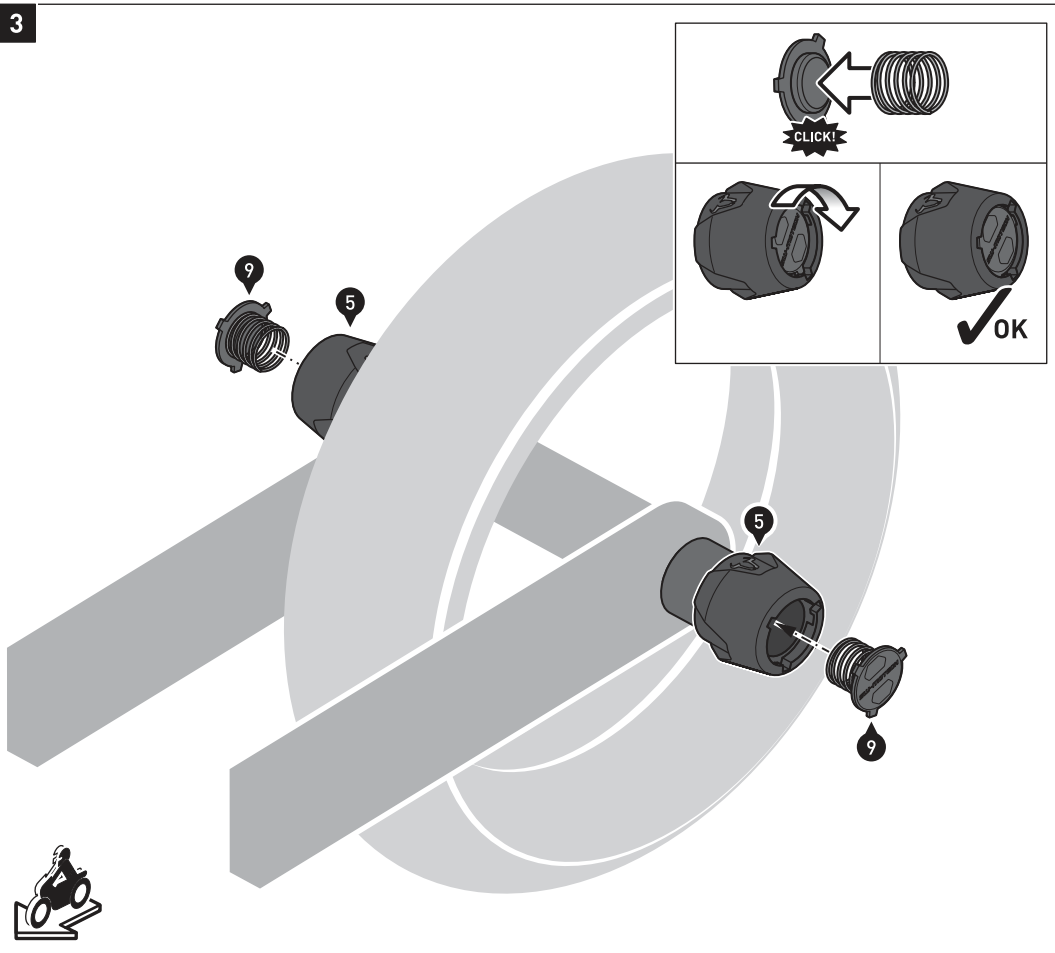
Mount the sliders (5) with the nuts (8) on **both sides** to the threaded rod (1).

Tighten the nuts (8) as specified.

8	18 N-m

Das Fahrzeug und die montierten Buchsen dienen als Beispiele. / The vehicle and the mounted spacers are examples.

3



Setzen Sie **beidseitig** die Abdeckkappen (9) in die Öffnungen der montierten Sturz pads (5) ein und drehen Sie diese bis in die Endposition.  
**ACHTUNG: Achten Sie auf den festen Sitz der Abdeckkappen (9).**

Insert the cover caps (9) on **both sides** into the openings of the mounted sliders (5) and turn them to their end position.  
**ATTENTION: Make sure that the cover caps (9) fit firmly.**

Das Fahrzeug und die montierten Buchsen dienen als Beispiele. / The vehicle and the mounted spacers are examples.