

Adaptive LED Headlights – Model 8790 Adaptive 2

PRODUCT INFORMATION

Description	12V DOT/ECE LED High & Low Beam Adaptive Headlight with Black Inner Bezel
Height	177.20 mm / 6.98 in
Width	177.20 mm / 6.98 in
Depth	93.68 mm / 3.69 in
Shape	Round
Outer Lens Material	Polycarbonate
Outer Lens Color	Clear
Housing Material	Aluminum
Housing Color	Grey
Bezel Color	Black
Retrofits	Bucket 7" Round Headlights (PAR56)
Minimum Operating Temperature	-40 °C / -40 °F
Maximum Operating Temperature	65 °C / 149 °F
Connector or Wiring	H4
Mating Connector	H4 AMP# 172615-2
Product Weight	3.40 lbs / 1.54 kgs
Shipping Weight	3.25 lbs / 1.47 kgs



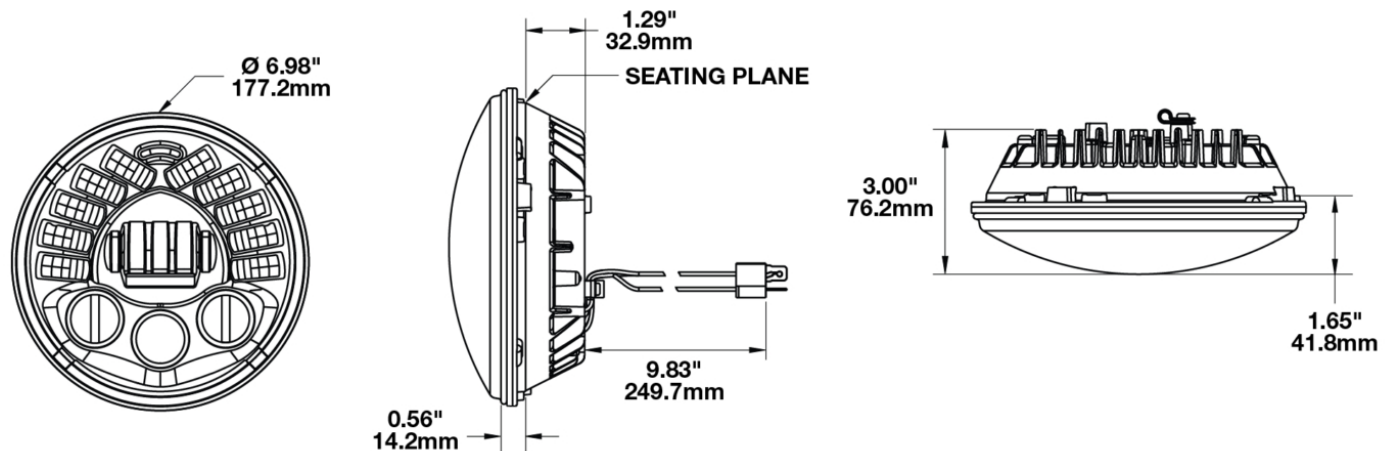
Print date: 2020-04-23

© 2020 J.W. Speaker Corporation • Germantown, WI U.S.A.
www.jwspeaker.com • speaker@jwspeaker.com • 262.251.6660

J.W. SPEAKER 
 Engineered. Lighting. Solutions.

Adaptive LED Headlights – Model 8790 Adaptive 2

PRODUCT DIMENSIONS



ELECTRICAL SPECIFICATIONS

Input Voltage	12V DC
Operating Voltage	9-16V DC
Transient Spike Protection	150V Peak @ 1 HZ-100 Pulses
Black Wire	Ground
White Wire	High Beam
Yellow Wire	Low Beam
Red Wire	Front Position
Current Draw	2.9A @ 13.5V DC (High Beam) 1.9A @ 13.5V DC (Low Beam) 0.092A @ 13.5V DC (Front Position) 3.5A @ 13.5V DC (Low Beam at Full Lean) 4.5A @ 13.5V DC (High Beam at Full Lean)

Print date: 2020-04-23

© 2020 J.W. Speaker Corporation • Germantown, WI U.S.A.
www.jwspeaker.com • speaker@jwspeaker.com • 262.251.6660

Adaptive LED Headlights – Model 8790 Adaptive 2

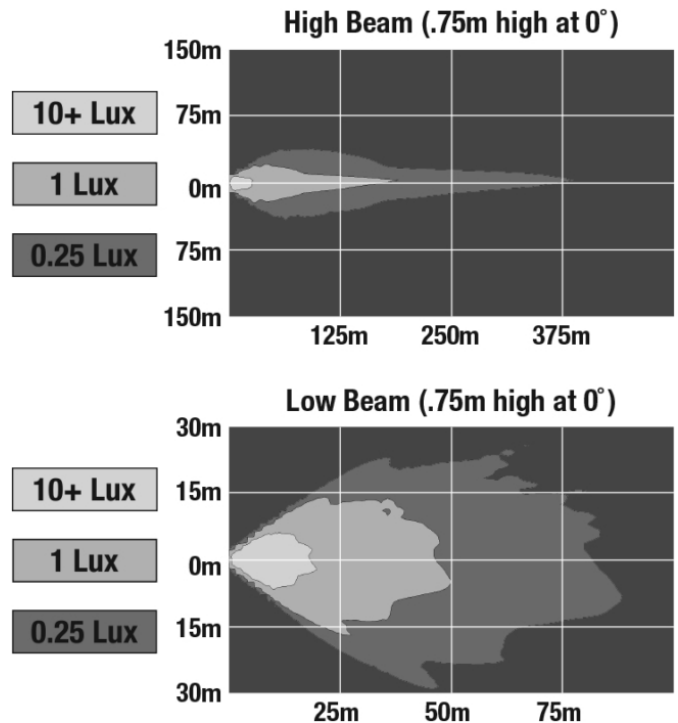
REGULATORY STANDARDS COMPLIANCE



Buy America Standards	ECE Reg 113
ECE Reg 50	Eco Friendly
FMVSS 108 s10.1 (Table XX)	IEC IP67
Tested to ECE Reg. 10 (Radiated Emissions only)	

PHOTOMETRIC SPECIFICATIONS

Raw Lumen Output	2,250 (High Beam), 2,025 (Low Beam)
Effective Lumen Output	1,150 (High Beam), 850 (Low Beam)
Candela Output	48,000 (High Beam), 1,150 (Low Beam)
Nominal LED Color Temperature	5000 K
Beam Pattern(s)	Forward Lighting - High Beam (DOT/ECE) Forward Lighting - Low Beam (DOT/ECE) Signalization - Front Position



Print date: 2020-04-23

© 2020 J.W. Speaker Corporation • Germantown, WI U.S.A.
www.jwspeaker.com • speaker@jwspeaker.com • 262.251.6660

Adaptive LED Headlights – Model 8790 Adaptive 2

APPLICATIONS



ADDITIONAL INFORMATION

Improvements over the original Adaptive Series

The NEW Adaptive 2 Series headlights have been improved to feature Adaptive technology when using the high beam, in addition to the low beam. Providing ditch-to-ditch lighting to eliminate dark corners on sharp turns and a punch of light 1,500 feet down the road to give you a safer and more confident ride.

Red Wire

Note about Front Position: The front position light is a requirement outside the United States. **If your bike is operated in the United States you do NOT need to connect this wire (red)** unless your bike is equipped with a front position light.

PRODUCT WARNINGS

For California residents:

⚠ WARNING: Cancer and reproductive harm - www.P65Warnings.ca.gov.

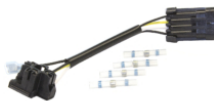
⚠ AVERTISSEMENT: Cancer et effet nocif sur la reproduction - www.P65Warnings.ca.gov.

ACCESSORIES



Part Number **3156351**

Mounting Ring Kit for
7" Round (PAR56)
Headlights



Part Number **8200411**

Wire Harness H4 for 7"
Round (PAR56)
Headlights

Print date: 2020-04-23

© 2020 J.W. Speaker Corporation • Germantown, WI U.S.A.
www.jwspeaker.com • speaker@jwspeaker.com • 262.251.6660

J.W. SPEAKER 
Engineered. Lighting. Solutions.

Adaptive LED Headlights – Model 8790 Adaptive 2

RELATED PRODUCTS



Part Number
0555031

12V DOT/ECE LED High & Low Beam Adaptive Headlight with Chrome Inner Bezel



Part Number
0555051

12V DOT/ECE LED High & Low Beam Adaptive Headlight with Black Inner Bezel and Mounting Ring



Part Number
0555061

12V DOT/ECE LED High & Low Beam Adaptive Headlight with Chrome Inner Bezel and Mounting Ring